

Rothbury™ Technical Specification

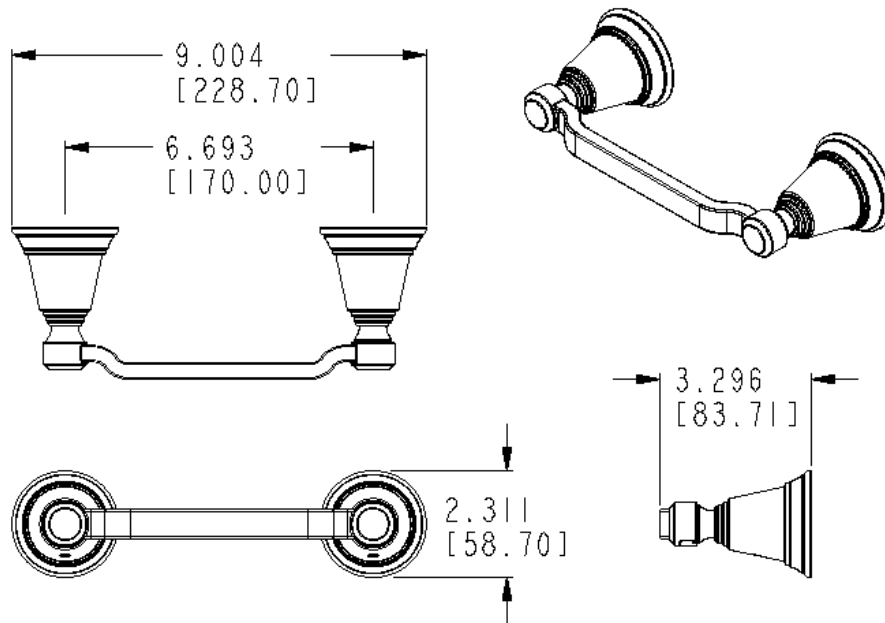
Paper Holder

YB8208

Stock Numbers:

- YB8208AZ – Pivoting Paper Holder
Antique Bronze Finish
- YB8208BN – Pivoting Paper Holder
Brushed Nickel Finish
- YB8208CH – Pivoting Paper Holder
Chrome Finish
- YB8208ORB – Pivoting Paper Holder
Oil Rubbed Bronze Finish

Dimensions:



Materials:

Paper Holder is constructed of zinc.

Installation Instructions:

1. Position the mounting template on the wall in the desired location. Using a level, align the template and tape it to the wall.
2. Remove each mounting post from the body by loosening the setscrew.
3. Place each mounting post on the template with notch facing down.
4. Mark the 2 large hole locations of each mounting bracket.
5. Attach each mounting bracket to the wall, using the wall anchors provided.
6. Mount each base on the corresponding mounting bracket. Check and make sure that the base set screw hole(s) are facing down. Assemble a set screw to each base. Use the allen wrench included in hardware kit to tighten each set screw and secure the assembly to the mounting bracket(s).
7. Tighten all 4 screws. Do not over tighten.
8. Place each post over the mounting plate (setscrew down). Pivoting post with bar to be on left side. Tighten both setscrews.

Cleaning Instructions:

To preserve the fine finish of this product, clean only with a soft damp cloth. Dry well. Do not use commercial or abrasive cleaners.

Stock Number: _____ Paper Holder
By Creative Specialties



25300 AL MOEN DRIVE • NORTH OLMSTED, OH 44070
CORPORATE HEADQUARTERS: (800) 321-8809 • FAX: (800) 848-6636
INTERNATIONAL: (440) 962-2000 • FAX: (440) 962-2726
CUSTOMER SERVICE (USA): 800-882-0116 • FAX: (888) 379-2720
WWW.MOEN.COM

©Copyright Creative Specialties International

Literature #BA1435