

6 Gallon Precharged Pressure Tanks

Vertical or Horizontal Design

Factory Precharged to 40 PSI for Efficiency

Extends pump life by providing more water between pump cycles compared to standard tanks

Heavy-Gauge Steel Construction

For maximum durability and extended life

Precision Press Fit Design

Minimizes gaps between components, reducing corrosion and seam leaks

Precision Press Fit Design

Minimizes gaps between components, reducing corrosion and seam leaks

Convenient Size

Ideal for cabins and summer homes

Easy Maintenance

NSF-61-approved replaceable air/water separator

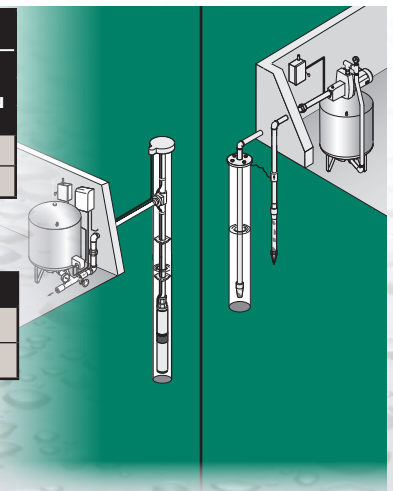


6 GAL FP7100

6 GAL FP7100H (Horizontal)

PERFORMANCE											
MODEL	STANDARD TANK EQUIVALENCY	ACTUAL TANK CAPACITY	DRAWDOWN COMPARISON						STYLE	PLUMBING CONNECTION	
			PRECHARGED			STANDARD					
			20/40	30/50	40/60	20/40	30/50	40/60			
FP7100	15 Gallons	6 Gallons	2.2	1.8	1.8	2.3	1.5	1.1	Vertical	3/4"	
FP7100H	15 Gallons	6 Gallons	2.2	1.8	1.8	2.3	1.5	1.1	Horizontal	3/4"	

MODEL	WARRANTY	UPC	CARTON DIMENSIONS	PALLET QTY.	WEIGHT
FP7100	5 YEAR	022315101098	14.063" x 12.813" x 17.313"	18	18.9 LBS.
FP7100H	5 YEAR	022315101081	14.063" x 12.813" x 17.313"	18	18 LBS.



Includes:

Detailed owner's manual