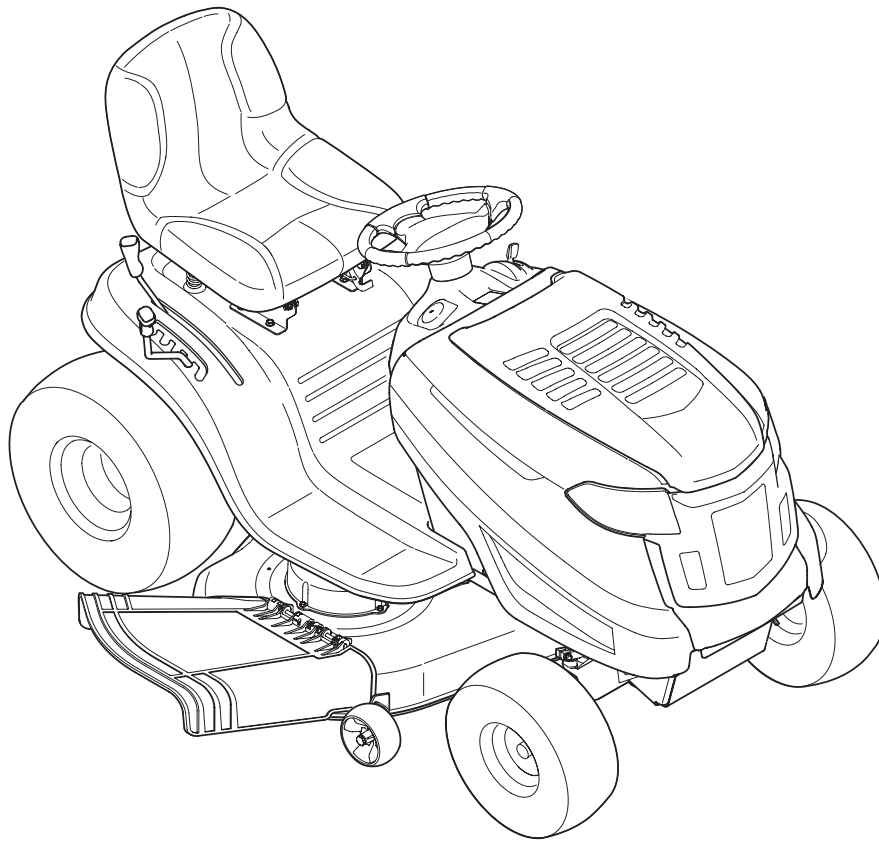




## OPERATOR'S MANUAL



### Hydrostatic Lawn Tractor Horse & TB42 Hydro

#### **WARNING**

**READ AND FOLLOW ALL SAFETY RULES AND INSTRUCTIONS IN THIS MANUAL  
BEFORE ATTEMPTING TO OPERATE THIS MACHINE.  
FAILURE TO COMPLY WITH THESE INSTRUCTIONS MAY RESULT IN PERSONAL INJURY.**

---

TROY-BILT, P.O. BOX 361131 CLEVELAND, OHIO 44136-0019

---

## Thank You

Thank you for purchasing a Troy-Bilt Lawn Tractor. It was carefully engineered to provide excellent performance when properly operated and maintained.

Please read this entire manual prior to operating the equipment. It instructs you how to safely and easily set up, operate and maintain your machine. Please be sure that you, and any other persons who will operate the machine, carefully follow the recommended safety practices at all times. Failure to do so could result in personal injury or property damage.

All information in this manual is relative to the most recent product information available at the time of printing. Review this manual frequently to familiarize yourself with the machine, its features and operation. Please be aware that this Operator's Manual may cover a range of product specifications for various models. Characteristics and features discussed and/or illustrated in this manual may not be applicable to all models. Troy-Bilt reserves the right to change product specifications, designs and equipment without notice and without incurring obligation.

If applicable, the power testing information used to establish the power rating of the engine equipped on this machine can be found at [www.opei.org](http://www.opei.org) or the engine manufacturer's web site.

If you have any problems or questions concerning the machine, phone a authorized Troy-Bilt service dealer or contact us directly. Troy-Bilt's Customer Support telephone numbers, website address and mailing address can be found on this page. We want to ensure your complete satisfaction at all times.

Throughout this manual, all references to *right* and *left* side of the machine are observed from the operating position

The engine manufacturer is responsible for all engine-related issues with regards to performance, power-rating, specifications, warranty and service. Please refer to the engine manufacturer's Owner's/Operator's Manual, packed separately with your machine, for more information.

## Table of Contents

<b>Safe Operation Practices .....</b>	<b>3</b>	<b>Troubleshooting .....</b>	<b>28</b>
<b>Assembly &amp; Set-Up .....</b>	<b>9</b>	<b>Replacement Parts .....</b>	<b>29</b>
<b>Controls &amp; Features .....</b>	<b>13</b>	<b>Attachments &amp; Accessories .....</b>	<b>30</b>
<b>Operation .....</b>	<b>16</b>	<b>Warranty .....</b>	<b>33</b>
<b>Maintenance &amp; Adjustment .....</b>	<b>20</b>	<b>Espanol .....</b>	<b>34</b>
<b>Service .....</b>	<b>24</b>		

## Record Product Information

Before setting up and operating your new equipment, please locate the model plate on the equipment and record the information in the provided area to the right. You can locate the model plate by looking beneath the seat. This information will be necessary, should you seek technical support via our web site, Customer Support Department, or with a local authorized service dealer.

--	--	--	--	--	--	--	--	--	--	--	--	--	--	--	--	--	--	--	--	--

### SERIAL NUMBER

--	--	--	--	--	--	--	--	--	--	--	--	--	--	--	--	--	--	--	--	--

## Customer Support

**Please do NOT return the machine to the retailer or dealer without first contacting our Customer Support Department.**

If you have difficulty assembling this product or have any questions regarding the controls, operation, or maintenance of this machine, you can seek help from the experts. Choose from the options below:

◇ Visit us on the web at [www.troybilt.com](http://www.troybilt.com)



See How-to Maintenance and Parts Installation Videos at [www.troybilt.com/tutorials](http://www.troybilt.com/tutorials)

◇ Call a Customer Support Representative at (800) 828-5500 or (330) 558-7220

◇ Write us at Troy-Bilt • P.O. Box 361131 • Cleveland, OH • 44136-0019



**WARNING!** This symbol points out important safety instructions which, if not followed, could endanger the personal safety and/or property of yourself and others. Read and follow all instructions in this manual before attempting to operate this machine. Failure to comply with these instructions may result in personal injury.

When you see this symbol. **HEED ITS WARNING!**

## CALIFORNIA PROPOSITION 65



**WARNING!** Engine Exhaust, some of its constituents, and certain vehicle components contain or emit chemicals known to State of California to cause cancer and birth defects or other reproductive harm.



**WARNING!** Battery posts, terminals, and related accessories contain lead and lead compounds, chemicals known to the State of California to cause cancer and reproductive harm. *Wash hands after handling*



**DANGER!** This machine was built to be operated according to the safe operation practices in this manual. As with any type of power equipment, carelessness or error on the part of the operator can result in serious injury. This machine is capable of amputating hands and feet and throwing objects. Failure to observe the following safety instructions could result in serious injury or death.

## General Operation

1. Read, understand, and follow all instructions on the machine and in the manual(s) before attempting to assemble and operate. Keep this manual in a safe place for future and regular reference and for ordering replacement parts.
2. Be familiar with all controls and their proper operation. Know how to stop the machine and disengage them quickly.
3. Never allow children under 14 years of age to operate this machine. Children 14 and over should read and understand the instructions and safe operation practices in this manual and on the machine and should be trained and supervised by an adult.
4. Never allow adults to operate this machine without proper instruction.
5. To help avoid blade contact or a thrown object injury, keep bystanders, helpers, children and pets at least 75 feet from the machine while it is in operation. Stop machine if anyone enters the area.
6. Thoroughly inspect the area where the equipment is to be used. Remove all stones, sticks, wire, bones, toys, and other foreign objects which could be picked up and thrown by the blade(s). Thrown objects can cause serious personal injury.
7. Plan your mowing pattern to avoid discharge of material toward roads, sidewalks, bystanders and the like. Also, avoid discharging material against a wall or obstruction which may cause discharged material to ricochet back toward the operator.
8. Always wear safety glasses or safety goggles during operation and while performing an adjustment or repair to protect your eyes. Thrown objects which ricochet can cause serious injury to the eyes.
9. Wear sturdy, rough-soled work shoes and close-fitting slacks and shirts. Loose fitting clothes and jewelry can be caught in movable parts. Never operate this machine in bare feet or sandals.
10. Be aware of the mower and attachment discharge direction and do not point it at anyone. Do not operate the mower without the discharge cover or entire grass catcher in its proper place.
11. Do not put hands or feet near rotating parts or under the cutting deck. Contact with the blade(s) can amputate hands and feet.

12. A missing or damaged discharge cover can cause blade contact or thrown object injuries.
13. Stop the blade(s) when crossing gravel drives, walks, or roads and while not cutting grass.
14. Watch for traffic when operating near or crossing roadways. This machine is not intended for use on any public roadway.
15. Do not operate the machine while under the influence of alcohol or drugs.
16. Mow only in daylight or good artificial light.
17. Never carry passengers.
18. Disengage blade(s) before shifting into reverse. Back up slowly. Always look down and behind before and while backing to avoid a back-over accident.
19. Slow down before turning. Operate the machine smoothly. Avoid erratic operation and excessive speed.
20. Disengage blade(s), set parking brake, stop engine and wait until the blade(s) come to a complete stop before removing grass catcher, emptying grass, unclogging chute, removing any grass or debris, or making any adjustments.
21. Never leave a running machine unattended. Always turn off blade(s), place transmission in neutral, set parking brake, stop engine and remove key before dismounting.
22. Use extra care when loading or unloading the machine into a trailer or truck. This machine should not be driven up or down ramp(s), because the machine could tip over, causing serious personal injury. The machine must be pushed manually on ramp(s) to load or unload properly.
23. Muffler and engine become hot and can cause a burn. Do not touch.
24. Check overhead clearances carefully before driving under low hanging tree branches, wires, door openings etc., where the operator may be struck or pulled from the machine, which could result in serious injury.
25. Disengage all attachment clutches, depress the brake pedal completely and shift into neutral before attempting to start engine.
26. Your machine is designed to cut normal residential grass of a height no more than 10". Do not attempt to mow through unusually tall, dry grass (e.g., pasture) or piles of dry leaves. Dry grass or leaves may contact the engine exhaust and/or build up on the mower deck presenting a potential fire hazard.
27. Use only accessories and attachments approved for this machine by the machine manufacturer. Read, understand and follow all instructions provided with the approved accessory or attachment.
28. Data indicates that operators, age 60 years and above, are involved in a large percentage of riding mower-related injuries. These operators should evaluate their ability to operate the riding mower safely enough to protect themselves and others from serious injury.
29. If situations occur which are not covered in this manual, use care and good judgment. Contact your customer service representative for assistance.

## Slope Operation

Slopes are a major factor related to loss of control and tip-over accidents which can result in severe injury or death. All slopes require extra caution. If you cannot back up the slope or if you feel uneasy on it, do not mow it.

For your safety, use the slope gauge included as part of this manual to measure slopes before operating this machine on a sloped or hilly area. If the slope is greater than 15 degrees as shown on the slope gauge, do not operate this machine on that area or serious injury could result.

### Do:

1. Mow up and down slopes, not across. Exercise extreme caution when changing direction on slopes.
2. Watch for holes, ruts, bumps, rocks, or other hidden objects. Uneven terrain could overturn the machine. Tall grass can hide obstacles.
3. Use slow speed. Choose a low enough speed setting so that you will not have to stop or shift while on the slope. Tires may lose traction on slopes even though the brakes are functioning properly. Always keep machine in gear when going down slopes to take advantage of engine braking action.
4. Follow the manufacturer's recommendations for wheel weights or counterweights to improve stability.
5. Use extra care with grass catchers or other attachments. These can change the stability of the machine.
6. Keep all movement on the slopes slow and gradual. Do not make sudden changes in speed or direction. Rapid engagement or braking could cause the front of the machine to lift and rapidly flip over backwards which could cause serious injury.
7. Avoid starting or stopping on a slope. If tires lose traction, disengage the blade(s) and proceed slowly straight down the slope.

### Do Not:

1. Do not turn on slopes unless necessary; then, turn slowly and gradually downhill, if possible.
2. Do not mow near drop-offs, ditches or embankments. The mower could suddenly turn over if a wheel is over the edge of a cliff, ditch, or if an edge caves in.
3. Do not try to stabilize the machine by putting your foot on the ground.
4. Do not use a grass catcher on steep slopes.
5. Do not mow on wet grass. Reduced traction could cause sliding.
6. Do not shift to neutral and coast downhill. Over-speeding may cause the operator to lose control of the machine resulting in serious injury or death.
7. Do not tow heavy pull behind attachments (e.g. loaded dump cart, lawn roller, etc.) on slopes greater than 5 degrees. When going down hill, the extra weight tends to push the tractor and may cause you to lose control (e.g. tractor may speed up, braking and steering ability are reduced, attachment may jack-knife and cause tractor to overturn).

## Children

1. Tragic accidents can occur if the operator is not alert to the presence of children. Children are often attracted to the machine and the mowing activity. They do not understand the dangers. Never assume that children will remain where you last saw them.
  - a. Keep children out of the mowing area and in watchful care of a responsible adult other than the operator.
  - b. Be alert and turn machine off if a child enters the area.
  - c. Before and while backing, look behind and down for small children.
  - d. Never carry children, even with the blade(s) shut off. They may fall off and be seriously injured or interfere with safe machine operation.
  - e. Use extreme care when approaching blind corners, doorways, shrubs, trees or other objects that may block your vision of a child who may run into the path of the machine.
  - f. **To avoid back-over accidents, always disengage the cutting blade(s) before shifting into Reverse. If equipped, the "Reverse Caution Mode" should not be used when children or others are around.**
  - g. Keep children away from hot or running engines. They can suffer burns from a hot muffler.
  - h. Remove key when machine is unattended to prevent unauthorized operation.
2. Never allow children under 14 years of age to operate this machine. Children 14 and over should read and understand the instructions and safe operation practices in this manual and on the machine and should be trained and supervised by an adult.

## Towing

1. Tow only with a machine that has a hitch designed for towing. Do not attach towed equipment except at the hitch point.
2. Follow the manufacturer's recommendation for weight limits for towed equipment and towing on slopes.
3. Never allow children or others in or on towed equipment.
4. On slopes, the weight of the towed equipment may cause loss of traction and loss of control.
5. Always use extra caution when towing with a machine capable of making tight turns (e.g. "zero-turn" ride-on mower). Make wide turns to avoid jack-knifing.
6. Travel slowly and allow extra distance to stop.
7. Do not shift to neutral and coast downhill.

## Service

### Safe Handling of Gasoline:

1. To avoid personal injury or property damage use extreme care in handling gasoline. **Gasoline is extremely flammable and the vapors are explosive.** Serious personal injury can occur when gasoline is spilled on yourself or your clothes which can ignite. Wash your skin and change clothes immediately.
  - a. Use only an approved gasoline container.
  - b. Never fill containers inside a vehicle or on a truck or trailer bed with a plastic liner. Always place containers on the ground away from your vehicle before filling.
  - c. When practical, remove gas-powered equipment from the truck or trailer and refuel it on the ground. If this is not possible, then refuel such equipment on a trailer with a portable container, rather than from a gasoline dispenser nozzle.
  - d. Keep the nozzle in contact with the rim of the fuel tank or container opening at all times until fueling is complete. Do not use a nozzle lock-open device.
  - e. Extinguish all cigarettes, cigars, pipes and other sources of ignition.
  - f. Never fuel machine indoors.
  - g. Never remove gas cap or add fuel while the engine is hot or running. Allow engine to cool at least two minutes before refueling.
  - h. Never over fill fuel tank. Fill tank to no more than ½ inch below bottom of filler neck to allow space for fuel expansion.
  - i. Replace gasoline cap and tighten securely.
  - j. If gasoline is spilled, wipe it off the engine and equipment. Move machine to another area. Wait 5 minutes before starting the engine.
  - k. To reduce fire hazards, keep machine free of grass, leaves, or other debris build-up. Clean up oil or fuel spillage and remove any fuel soaked debris.
  - l. Never store the machine or fuel container inside where there is an open flame, spark or pilot light as on a water heater, space heater, furnace, clothes dryer or other gas appliances.
  - m. Allow a machine to cool at least five minutes before storing.

### General Service

1. Never run an engine indoors or in a poorly ventilated area. Engine exhaust contains carbon monoxide, an odorless, and deadly gas.
2. Before cleaning, repairing, or inspecting, make certain the blade(s) and all moving parts have stopped. Disconnect the spark plug wire and ground against the engine to prevent unintended starting.

3. Periodically check to make sure the blades come to complete stop within approximately (5) five seconds after operating the blade disengagement control. If the blades do not stop within the this time frame, your machine should be serviced professionally by an authorized MTD Service Dealer.
4. Check brake operation frequently as it is subjected to wear during normal operation. Adjust and service as required.
5. Check the blade(s) and engine mounting bolts at frequent intervals for proper tightness. Also, visually inspect blade(s) for damage (e.g., excessive wear, bent, cracked). Replace the blade(s) with the original equipment manufacturer's (O.E.M.) blade(s) only, listed in this manual. "Use of parts which do not meet the original equipment specifications may lead to improper performance and compromise safety!"
6. Mower blades are sharp. Wrap the blade or wear gloves, and use extra caution when servicing them.
7. Keep all nuts, bolts, and screws tight to be sure the equipment is in safe working condition.
8. Never tamper with the safety interlock system or other safety devices. Check their proper operation regularly.
9. After striking a foreign object, stop the engine, disconnect the spark plug wire(s) and ground against the engine. Thoroughly inspect the machine for any damage. Repair the damage before starting and operating.
10. Never attempt to make adjustments or repairs to the machine while the engine is running.
11. Grass catcher components and the discharge cover are subject to wear and damage which could expose moving parts or allow objects to be thrown. For safety protection, frequently check components and replace immediately with original equipment manufacturer's (O.E.M.) parts only, listed in this manual. "Use of parts which do not meet the original equipment specifications may lead to improper performance and compromise safety!"
12. Do not change the engine governor settings or over-speed the engine. The governor controls the maximum safe operating speed of the engine.
13. Maintain or replace safety and instruction labels, as necessary.
14. Observe proper disposal laws and regulations for gas, oil, etc. to protect the environment.
15. According to the Consumer Products Safety Commission (CPSC) and the U.S. Environmental Protection Agency (EPA), this product has an *Average Useful Life* of seven (7) years, or 270 hours of operation. At the end of the *Average Useful Life* have the machine inspected annually by an authorized service dealer to ensure that all mechanical and safety systems are working properly and not worn excessively. Failure to do so can result in accidents, injuries or death.

## Do not modify engine

To avoid serious injury or death, do not modify engine in any way. Tampering with the governor setting can lead to a runaway engine and cause it to operate at unsafe speeds. Never tamper with factory setting of engine governor.

## Notice Regarding Emissions

Engines which are certified to comply with California and federal EPA emission regulations for SORE (Small Off Road Equipment) are certified to operate on regular unleaded gasoline, and may include the following emission control systems: Engine Modification (EM), Oxidizing Catalyst (OC), Secondary Air Injection (SAI) and Three Way Catalyst (TWC) if so equipped.

When required, models are equipped with low permeation fuel lines and fuel tanks for evaporative emission control. California models may also include a carbon canister. Please contact Customer Support for information regarding the evaporative emission control configuration for your model.

## Spark Arrestor



**WARNING!** This machine is equipped with an internal combustion engine and should not be used on or near any unimproved forest-covered, brush covered or grass-covered land unless the engine's exhaust system is equipped with a spark arrestor meeting applicable local or state laws (if any).

If a spark arrestor is used, it should be maintained in effective working order by the operator. In the State of California the above is required by law (Section 4442 of the California Public Resources Code). Other states may have similar laws. Federal laws apply on federal lands.

A spark arrestor for the muffler is available through your nearest engine authorized service dealer or contact the service department, P.O. Box 361131 Cleveland, Ohio 44136-0019.





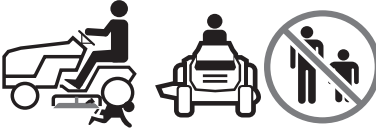








**WARNING!** Your Responsibility—Restrict the use of this power machine to persons who read, understand and follow the warnings and instructions in this manual and on the machine.

**SAVE THESE INSTRUCTIONS!**

## Safety Symbols

This page depicts and describes safety symbols that may appear on this product. Read, understand, and follow all instructions on the machine before attempting to assemble and operate.

Symbol	Description
	<b>READ THE OPERATOR'S MANUAL(S)</b> Read, understand, and follow all instructions in the manual(s) before attempting to assemble and operate
	<b>DANGER — ROTATING BLADES</b> Never carry passengers. Never carry children, even with the blades off.
	<b>DANGER — ROTATING BLADES</b> Always look down and behind before and while backing to avoid a back-over accident.
	<b>DANGER — ROTATING BLADES</b> Do not put hands or feet near rotating parts or under the cutting deck. Contact with the blade(s) can amputate hands and feet. Be sure blades and engine are stopped before placing hands or feet near blades.
	<b>DANGER — BYSTANDERS</b> Mowing in reverse is not recommended. Do not mow when children or others are around. Keep bystanders, helpers, children and pets at least 75 feet from the machine while it is in operation.
	<b>DANGER — THROWN OBJECTS</b> This machine may pick up and throw and objects which can cause serious personal injury. Remove objects which could be thrown by the blades.
	<b>DANGER — SLOPE OPERATION</b> Go up and down slopes, not across. Use extra caution on slopes. Do not mow slopes greater than 15 degrees. Avoid sudden turns. Use low speed. Do not operate machine where it could tip or slip. If machine stops going uphill, stop blades and back down slowly.
	<b>DANGER — ROTATING BLADES</b> Before leaving operator's position, disengage blades, engage parking brake, shut off engine and remove key. Keep safety devices (guards, shields, switches, etc.) in place and in working order.
	<b>DANGER — HOT SURFACES</b> Allow machine to cool before fueling or storing.
	<b>DANGER — HOT SURFACES</b> Do not drive through piles of dry leaves or tall dry grass. Keep machine free of debris.
	<b>WARNING — HOT SURFACES</b> Operation of this equipment may create sparks that can start fires around dry vegetation. A spark arrestor may be required. The operator should contact local fire agencies for laws or regulations relating to fire prevention requirements.

## Slope Gauge

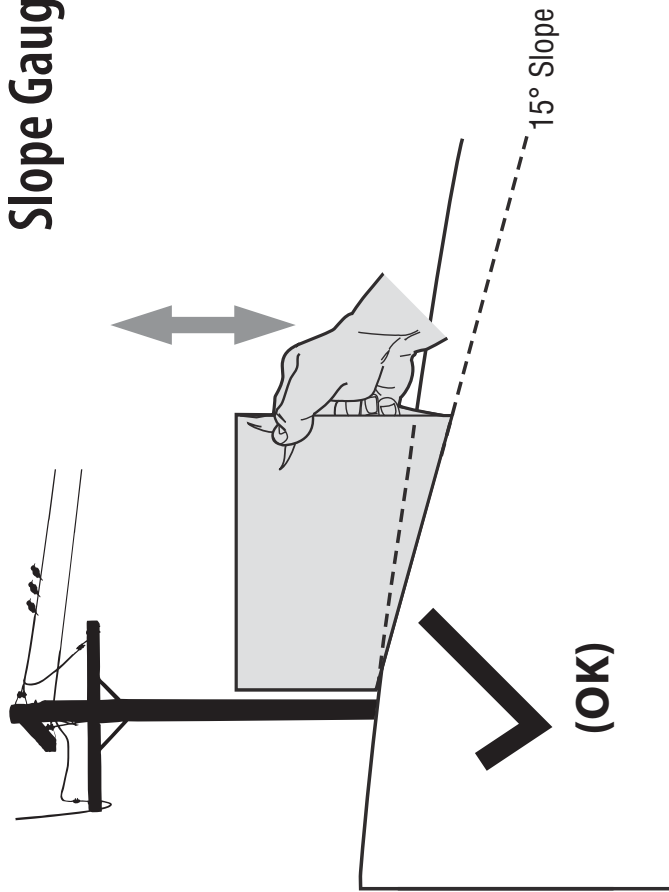


Figure 1

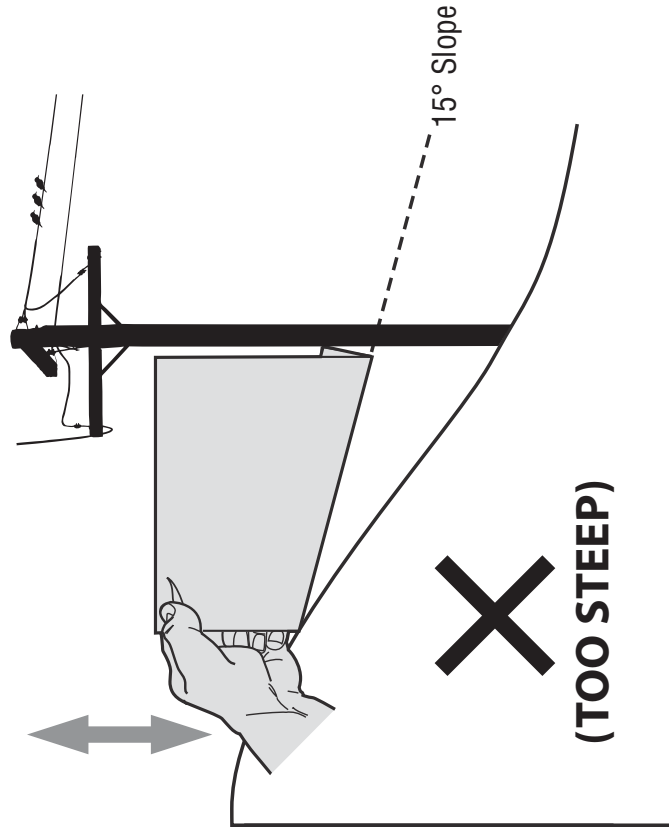


Figure 2

*15° dashed line*

### USE THIS SLOPE GAUGE TO DETERMINE IF A SLOPE IS TOO STEEP FOR SAFE OPERATION!

To check the slope, proceed as follows:

1. Remove this page and fold along the dashed line.
2. Locate a vertical object on or behind the slope (e.g. a pole, building, fence, tree, etc.)
3. Align either side of the slope gauge with the object (See Figure 1 and Figure 2).
4. Adjust gauge up or down until the left corner touches the slope (See Figure 1 and Figure 2).
5. If there is a gap below the gauge, the slope is too steep for safe operation (See Figure 2 above).



**WARNING!** Slopes are a major factor related to tip-over and roll-over accidents which can result in severe injury or death. Do not operate machine on slopes in excess of 15 degrees. All slopes require extra caution. If you cannot back up the slope or if you feel uneasy on it, do not mow it. Always mow up and down slopes, never across the face of slopes.



## Tractor Set-Up

### Tools Required:

- 3/8-inch wrench (or adjustable wrench)
- 7/16-inch wrench (or adjustable wrench)
- 1/2-inch socket wrench

### Connecting the Battery Cables



#### **CALIFORNIA PROPOSITION 65 WARNING:**

Battery posts, terminals, and related accessories contain lead and lead compounds, chemicals known to the State of California to cause cancer and reproductive harm. Wash hands after handling.

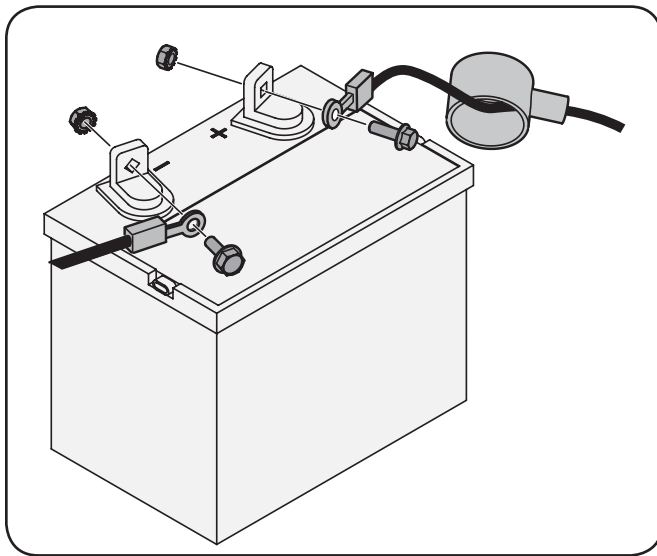


**CAUTION:** When attaching battery cables, always connect the POSITIVE (Red) wire to its terminal first, followed by the NEGATIVE (Black) wire.

For shipping reasons, both battery cables on your equipment may have been left disconnected from the terminals at the factory. To connect the battery cables, proceed as follows:

**NOTE:** The positive battery terminal is marked Pos. (+). The negative battery terminal is marked Neg. (-).

1. Remove the plastic cover, if present, from the positive battery terminal and attach the red cable to the positive battery terminal (+) with the bolt and hex nut. See Figure 3-1.
2. Remove the plastic cover, if present, from the negative battery terminal and attach the black cable to the negative battery terminal (-) with the bolt and hex nut. See Figure 3-1.



**Figure 3-1**

3. Position the red rubber boot over the positive battery terminal to help protect it from corrosion.

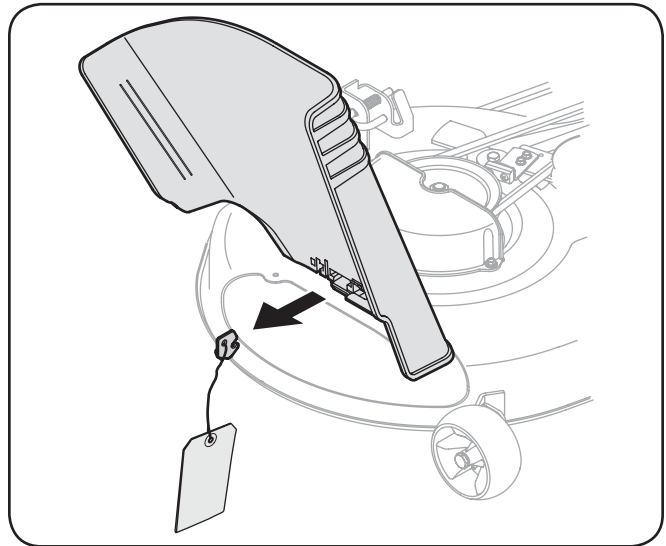
**NOTE:** If the battery is put into service after the date shown on top/side of battery, charge the battery as instructed in the Maintenance section your Operator's Manual prior to operating the tractor.

### Shipping Brace Removal



**WARNING!** Make sure the riding mower's engine is off, remove the ignition key, and set the parking brake before removing the shipping brace. Refer to the Controls and Features section for instructions on how to set the parking brake.

1. Locate the shipping brace, if present, and accompanying warning tag found on the right side of the mower, between the discharge chute and the cutting deck. See Figure 3-2.



**Figure 3-2**

2. Place the deck lift lever in the highest cutting position. Refer to Setting the Cutting Height in the Operation section of this manual.
3. While pushing the discharge chute towards the machine with your left hand, remove the shipping brace with your right hand by grasping it between your thumb and index finger and rotating it clockwise.



**WARNING!** The shipping brace, used for packaging purposes only, must be removed and discarded before operating your riding mower.



**WARNING!** The mowing deck is capable of throwing objects. Failure to operate the riding mower without the discharge cover in the proper operating position could result in serious personal injury and/or property damage.

## Attaching The Steering Wheel

If the steering wheel for your tractor did not come attached, the hardware for attaching it has been packed within the steering wheel, beneath the steering wheel cap. Carefully pry off the steering wheel cap and remove the hardware.

1. With the wheels of the tractor pointing straight forward, place the steering wheel over the steering shaft.
2. Place the washer (with the cupped side down) over the steering wheel and secure with the hex bolt. See Figure 3-3.

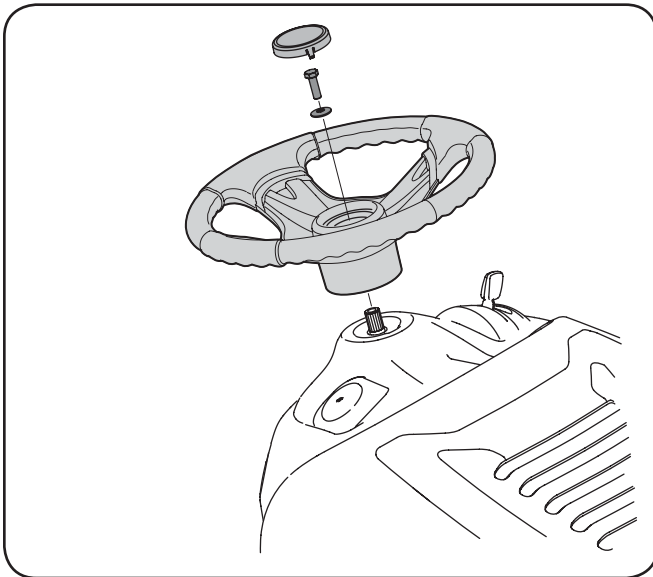


Figure 3-3

3. Place the steering wheel cap over the center of the steering wheel and push downward until it “clicks” into place.

## Attaching The Seat

If the seat for your tractor was not attached at the factory, refer to the following steps.

**NOTE:** For shipping reasons, seats are either fastened to the tractor seat’s pivot bracket with a plastic tie, or mounted backward to the pivot bracket. In either case, free the seat from its shipping position and remove the adjustment knob from the bottom of seat before proceeding with the instructions below.

1. As already instructed, remove the seat adjustment knob installed by the factory in the bottom of the seat. See “a” in Figure 3-4.
2. Align the seat over the seat pivot bracket as shown in Figure 3-4 and fit the seat onto the pivot bracket inserting the two tabs on the seat bottom into the slots on the pivot bracket.
3. Slide the seat rearward in the seat pivot bracket (c), lining up the center rear slot in the pivot bracket with the remaining hole in the seat’s base. See Figure 3-5.

**Note:** Be certain the two seat tabs engage the pivot bracket as shown in the bottom right inset of Figure 3-5.

4. Select desired position for the seat, and secure with the adjustment knob (d in Figure 3-5) removed earlier.

5. To adjust the position of the seat, remove the adjustment knob on the bottom of the seat. Slide the seat forward or backward as desired. Reinstall the adjustment knob. See Figure 3-5.

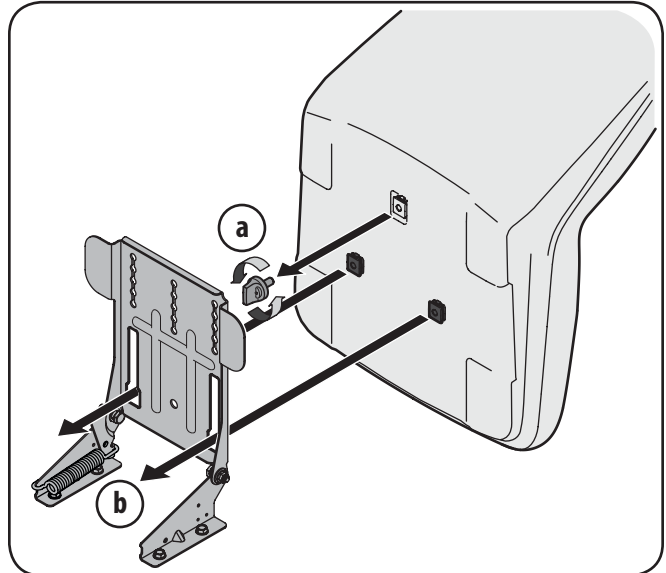


Figure 3-4

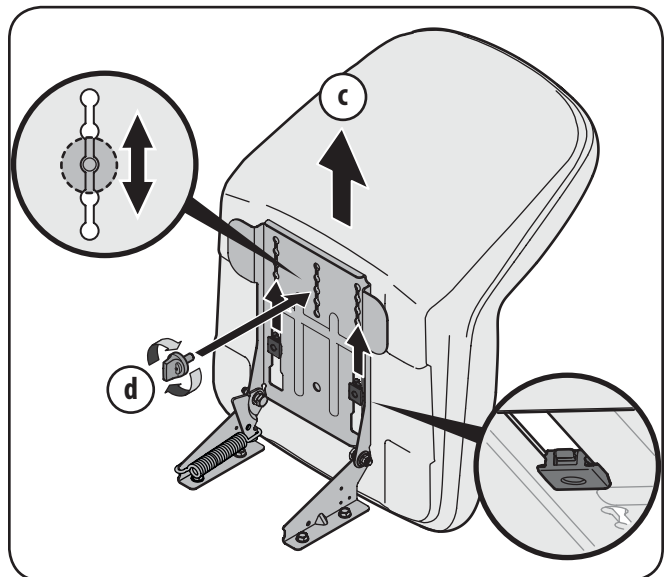


Figure 3-5

## Tire Pressure



**WARNING!** Maximum tire pressure under any circumstances is 30 psi. Equal tire pressure should be maintained at all times. Never exceed the maximum inflation pressure shown on the sidewall of the tire.

The recommended operating tire pressure is:

- Approximately 10 psi for the rear tires
- Approximately 14 psi for the front tires

**IMPORTANT:** Refer to the tire sidewall for exact tire manufacturer's recommended or maximum psi. Do not overinflate. Uneven tire pressure could cause the cutting deck to mow unevenly.

## Gas and Oil Fill-up

### OIL

**IMPORTANT:** Your tractor is shipped with motor oil in the engine. However, you **MUST** check the oil level before operating. Be careful not to overfill.

Service and check the engine oil as instructed in the separate Engine Operator/Owner Manual packed with your tractor. Read the instructions carefully.

### Gasoline

The gasoline tank is located under the hood. Do not overfill.



**WARNING!** Use extreme care when handling gasoline. Gasoline is extremely flammable and the vapors are explosive. Never fuel machine indoors or while the engine is hot or running. Extinguish cigarettes, cigars, pipes, and other sources of ignition.

**NOTE:** Purchase gasoline in small quantities. Do not use gasoline left over from the previous season, to minimize gum deposits in the fuel system.

- This engine is certified to operate on unleaded gasoline. For best results, fill the fuel tank with only clean, fresh, unleaded gasoline with a pump sticker octane rating of 87 or higher.
- Gasohol (up to 10% ethyl alcohol, 90% unleaded gasoline by volume) is an approved fuel. Other gasoline/alcohol blends, such as E85, are not approved.
- Methyl Tertiary Butyl Ether (MTBE) and unleaded gasoline blends (up to a maximum of 15% MTBE by volume) are approved fuels. Other gasoline/ether blends are not approved.
- Fill fuel tank outdoors or in well-ventilated area.
- Do not overfill fuel tank. Fill tank to no more than 1/2 inch below bottom of filler neck to allow space for fuel expansion.
- Never remove gas cap or add fuel while the engine is hot or running. Allow engine to cool at least two minutes before refueling.
- If gasoline is spilled, wipe it off the engine and equipment. Move machine to another area. Wait 5 minutes before starting the engine.

## To Add Gasoline

1. Turn the engine off and let engine cool at least 2 minutes before removing the fuel cap. The gasoline tank is located under the hood. Remove the fuel cap by turning it counterclockwise.
2. Fill the fuel tank with gasoline. Use only clean, fresh (no more than 30 days old), unleaded gasoline. Fill tank to the base of the filler neck to allow space for fuel expansion. **DO NOT TOP OFF THE TANK WITH FUEL.**
3. Reinstall the fuel cap.

**IMPORTANT:** Do not overfill the tank. Fill tank to the base of the filler neck to allow space for fuel expansion. Do NOT Top Off the tank with fuel. See Figure 3-6.

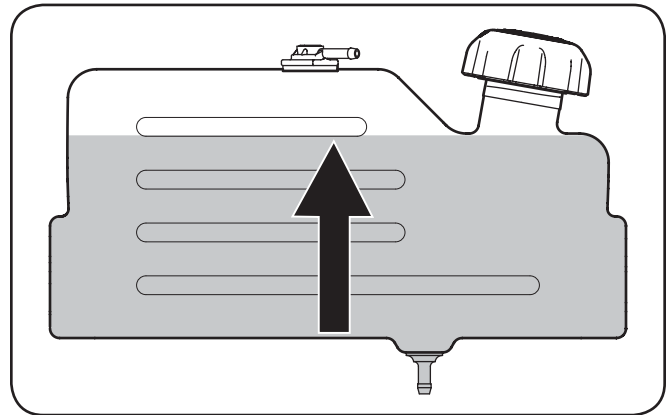


Figure 3-6

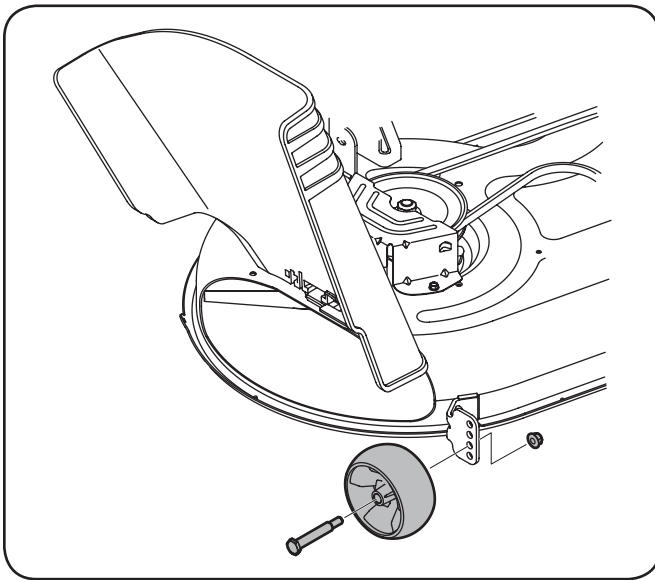
### Setting the Deck Gauge Wheels (if so equipped)

Move the tractor on a firm and level surface, preferably pavement, and proceed as follows:

1. Select the height position of the cutting deck by placing the deck lift lever in the normally desired mowing height setting (any of the six different cutting height notches on the right fender).
2. Check the gauge wheels for contact or excessive clearance with the surface below. The deck gauge wheels should have between  $\frac{1}{4}$ " and  $\frac{1}{2}$ " clearance above the ground.

If the gauge wheels have excessive clearance or contact with the surface, adjust as follows:

- a. Raise the deck lift handle to its highest setting
- b. Remove the front and rear gauge wheels by removing the lock nuts and shoulder screws which secure them to the deck. See Figure 3-7.



**Figure 3-7**

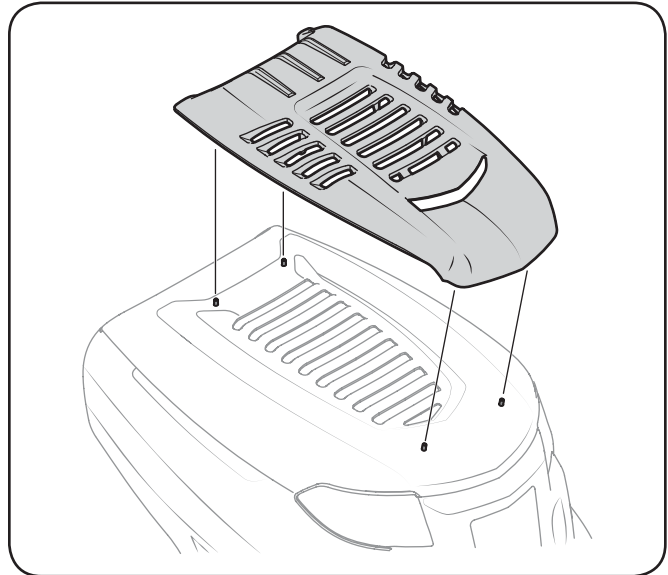
- c. Place the deck lift lever in the desired mowing height setting.
- d. Reinsert the shoulder screw (with each gauge wheel) into the index hole that leaves approximately  $\frac{1}{2}$ " between the bottom of the wheel and the pavement.

Refer to Leveling the Deck in the Maintenance section of this manual for more detailed instructions regarding various deck adjustments.

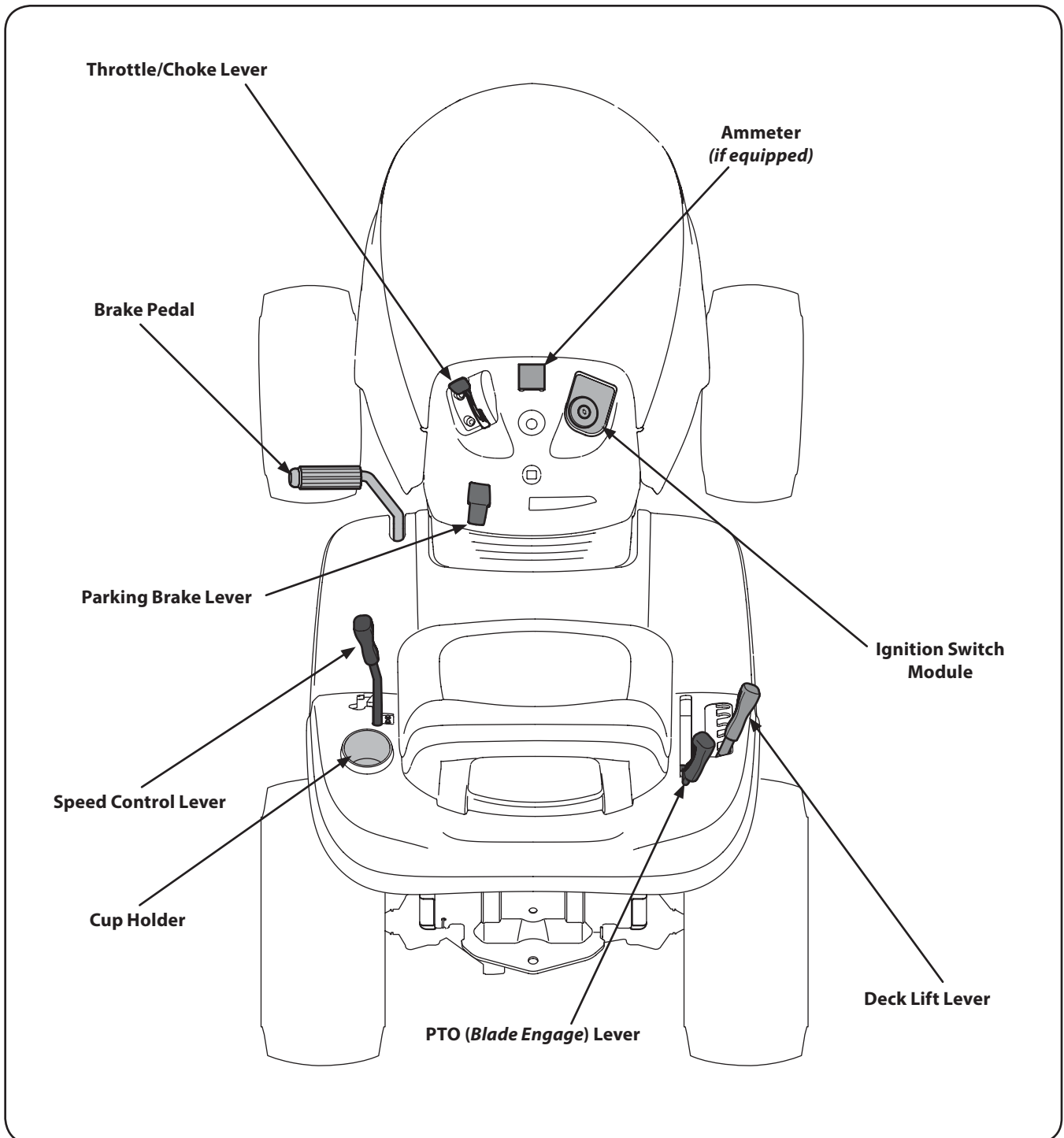
### Attaching the Hood Scoop (If so equipped)

On some tractors, a hood scoop may be included. If the hood scoop was not installed on the hood of your tractor at the factory, refer to the steps below to install the hood scoop now:

1. Remove the four screws pre-installed in the hood scoop and retain for Step 2.
2. Install the hood scoop onto the hood of the tractor and secure from the underside using the four screws previously removed. See Figure 3-8.



**Figure 3-8**



**Figure 4-1**

Lawn Tractor controls and features are illustrated in Figure 4-1 and described on the following pages.



**WARNING!** Read and follow all safety rules and instructions in this manual, including the entire Operation section, before attempting to operate this machine. Failure to comply with all safety rules and instructions may result in personal injury.

## Throttle / Choke Control

The throttle control lever is located on the left side of the tractor's dash panel, see . This lever controls the speed of the engine, as well as the choke when it is pushed all the way forward. When set in a given position, the throttle will maintain a uniform engine speed.

**IMPORTANT:** When operating the tractor with the cutting deck engaged, be certain that the throttle lever is always in the FAST (rabbit) position.

Moving the throttle lever all the way forward activates the engine's choke control. Activating the choke control closes the choke plate on the carburetor and aids in starting the engine.

Refer to Starting The Engine in the Operation section of this manual for detailed starting instructions.

## Ignition Switch

Your new lawn tractor will have one of the following ignition switches. Use Figure 4-2 to identify which switch your machine utilizes and follow these instructions for proper operation.

### 3-Position Ignition Switch

The ignition switch is activated to start the engine. Insert key into the ignition switch and turn clockwise to the START position. Release the key into the ON position once engine has fired. See Figure 4-2A. The engine will run with the headlights on.

To stop the engine, turn the ignition key counterclockwise to the OFF position. See Figure 4-2A.

### Ignition Switch Module

To start the engine, insert the key into the ignition switch and turn clockwise to the START position. Release the key into the NORMAL MOWING MODE position once the engine has fired. The headlights will be activated in the Normal (and Reverse Caution Modes).

To stop the engine, turn the ignition key counterclockwise to the OFF or STOP position. See Figure 4-2B.



**WARNING!** Never leave a running machine unattended. Always disengage PTO, move shift lever into neutral position, set parking brake, stop engine and remove key to prevent unintended starting.

**IMPORTANT:** Prior to operating the tractor, refer to both Safety Interlock Switches and Starting The Engine in the Operation section of this manual for detailed instructions regarding the Ignition Switch Module and operating the tractor in REVERSE CAUTION MODE.

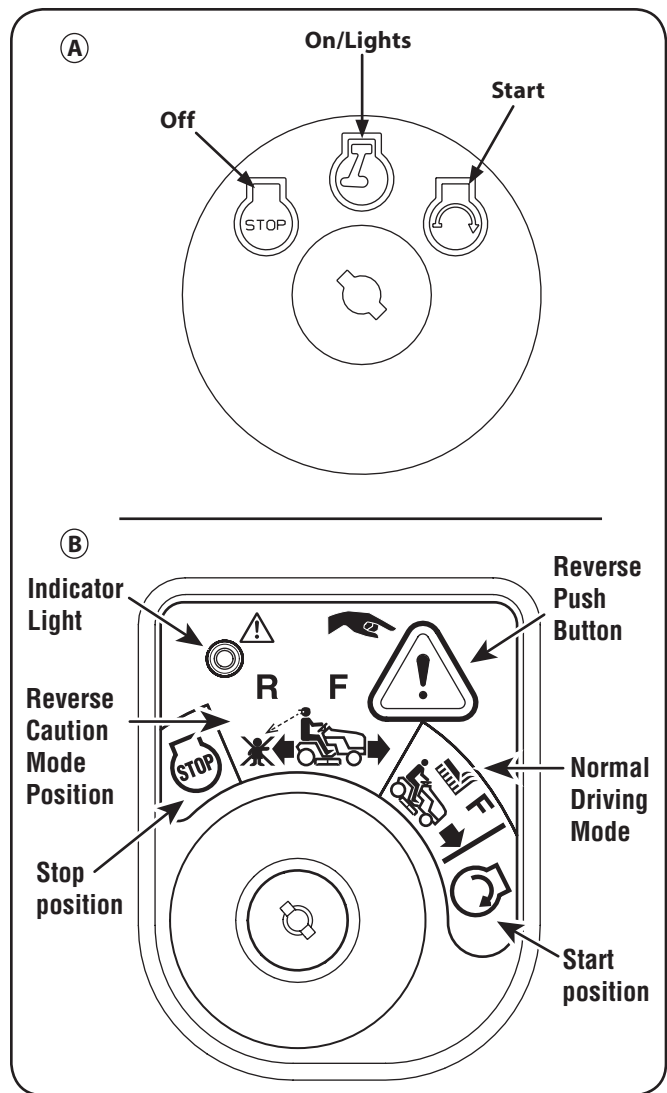


Figure 4-2

## Ammeter (if equipped)

The ammeter measures the electric current produced in amperes.

## Speed Control Lever

The speed control lever, located on the left rear fender, controls the ground speed of the lawn tractor as well as the direction of travel.

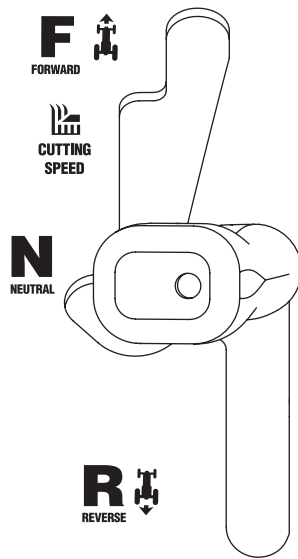
To drive forward or in reverse, slowly move the speed control lever to the desired “F” forward or “R” reverse speed.

**To stop**, move the speed control lever to the “N” neutral position.

When mowing, place the speed control lever in the “Cutting Speed” position, or a slower forward speed for the best results.

**Note:** Do *not* use the parking brake pedal to control the ground speed of the lawn tractor. Always use the speed control lever to slow the ground speed of the lawn tractor. Depressing the parking brake pedal with the speed control lever engaged as part of regular operation will result in premature wear of the drive belt.

**IMPORTANT:** Do *not* attempt to change the direction of travel when the tractor is in motion. Serious damage to the tractor’s transmission could result. Always bring the tractor to a complete stop before moving the speed control lever from forward to reverse or vice versa.



## Parking Brake Pedal and Lever

The parking brake pedal is located on the left side running board of the lawn tractor. It is used to both set the parking brake and to stop the lawn tractor in sudden situations.

The parking brake lever is located on the left side of the tractor’s dash panel. To set the parking brake, fully depress the parking brake pedal. Move the parking brake lever all the way down and into the parking brake position and then release the brake pedal to allow the parking brake to engage.

To release the parking brake, depress the brake pedal and the parking brake lever will automatically move out of the parking brake position.

In a sudden situation, fully depress the brake pedal to bring the tractor to a stop and then immediately move the speed control lever to the “N” neutral position

**IMPORTANT:** Do *not* use the parking brake pedal to control the ground speed of the lawn tractor. Doing so will result in premature wear of drive belt. Always use the Speed Control Lever to control the ground speed of the lawn tractor and to stop the tractor under normal circumstances.

**NOTE:** The parking brake pedal must be depressed to start the engine. The parking brake must also be set if the operator leaves the seat with the engine running or the engine will automatically shut off. Refer to Safety Interlock Switches on page 14.

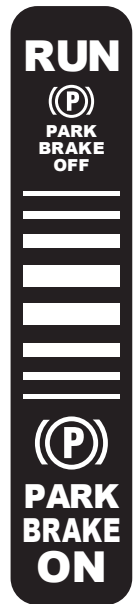
## Deck Lift Lever

Found on your tractor’s right fender, the deck lift lever is used to change the height of the cutting deck. To use, move the lever to the left, then place in the notch best suited for your application.

## PTO (Blade Engage) Lever

Found on the tractor’s right fender, the PTO (*blade engage*) lever is used to engage power to the cutting deck or other (*separately available*) attachments. To operate, move the lever all the way forward. Moving the lever all the way rearward into the PTO OFF position disengages power to the cutting deck/ attachment.

**NOTE:** The PTO (*blade engage*) lever must be in the disengaged (PTO OFF) position when starting the engine.



## **ADVERTENCIA**

### **PARA EVITAR LESIONES PERSONALES GRAVES O LA MUERTE**

- EN LAS PENDIENTES CONDUZCA HACIA ARRIBA Y HACIA ABAJO, NO DE FORMA TRANSVERSAL.
- EVITE MANIOBRAS DE GIRO BRUSCAS.
- NO OPERE LA UNIDAD EN ÁREAS DONDE PUEDE DERRAPAR O TROPEZAR.
- SI LA MÁQUINA DEJA DE SUBIR LA PENDIENTE, DETENGA LA(S) CUCHILLA(S) Y RETROCEDA LENTAMENTE BAJANDO LA PENDIENTE.
- MANTENGA TODOS LOS DISPOSITIVOS DE SEGURIDAD (PROTECCIONES, ESCUDOS E INTERRUPTORES, ETC.) EN SU LUGAR Y EN CORRECTO FUNCIONAMIENTO.
- RETIRE LOS OBJETOS QUE PUEDAN SER ARROJADOS POR LA(S) CUCHILLA(S) EN CUALQUIER DIRECCIÓN.
- CONOZCA LA UBICACIÓN Y FUNCIÓN DE TODOS LOS CONTROLES.
- ASEGÚRESE DE QUE LA(S) CUCHILLA(S) Y EL MOTOR SE DETENGAN ANTES DE COLOCAR LAS MANOS O LOS PIES CERCA DE LA(S) CUCHILLA(S).
- ANTES DE ABANDONAR LA POSICIÓN DEL OPERADOR, DESENGANCHE LA(S) CUCHILLA(S), COLOQUE EL FRENO DE MANO, APAGUE Y RETIRE LA LLAVE.

### **LEA EL MANUAL DEL OPERADOR**

## Safety Interlock Switches

This tractor is equipped with a safety interlock system for the protection of the operator. If the interlock system should ever malfunction, do not operate the tractor. Contact an authorized MTD service dealer.

- The safety interlock system prevents the engine from cranking or starting unless the parking brake is engaged, and the PTO (*blade engage*) lever is in the disengaged (OFF) position.
- The engine will automatically shut off if the operator leaves the seat before engaging the parking brake.
- The engine will automatically shut off if the operator leaves the tractor's seat with the PTO (*blade engage*) lever in the engaged (ON) position, regardless of whether the parking brake is engaged.

## Models without Reverse Caution Mode

- The engine will automatically shut off if the PTO (*blade engage*) lever is moved into the engaged (ON) position with the speed control lever in Reverse.

## Models with Reverse Caution Mode

- With the ignition key in the NORMAL MOWING position, the engine will automatically shut off if the PTO (*blade engage*) lever is moved into the engaged (ON) position with the speed control in Reverse.



**WARNING!** Do not operate the tractor if the interlock system is malfunctioning. This system was designed for your safety and protection.

## Reverse Caution Mode

(Models equipped with ignition switch module)



**WARNING!** Use extreme caution while operating the tractor in the REVERSE CAUTION MODE. Always look down and behind before and while backing. Do not operate the tractor when children or others are around. Stop the tractor immediately if someone enters the area.

The **REVERSE CAUTION MODE** position of the key switch module allows the tractor to be operated in reverse with the blades (PTO) engaged.

**IMPORTANT:** Mowing in reverse is not recommended.

## To use the REVERSE CAUTION MODE:

**IMPORTANT:** The operator **MUST** be seated in the tractor seat.

1. Start the engine as instructed on page 16 under Starting The Engine.
2. Turn the key from the NORMAL MOWING (Green) position to the REVERSE CAUTION MODE (Yellow) position of the key switch module. See .
3. Depress the REVERSE PUSH BUTTON (Orange, Triangular Button) at the top, right corner of the key switch module. The red indicator light at the top, left corner of the key switch module will be ON while activated. See Figure 5-1.

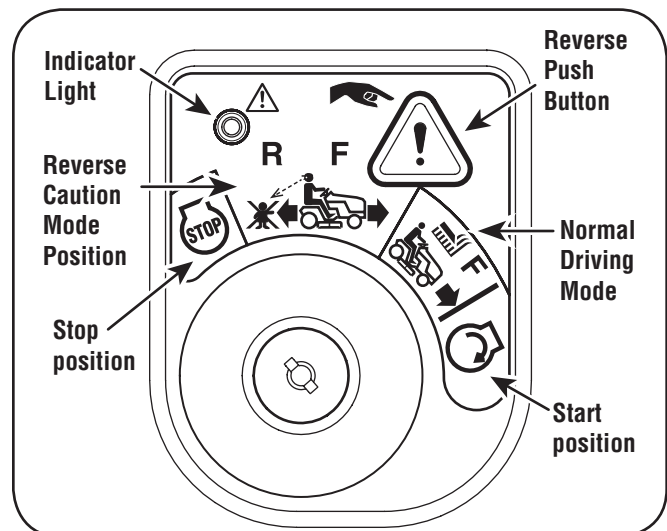


Figure 5-1



- Once activated (indicator light ON), the tractor can be driven in reverse with the cutting blades (PTO) engaged.
- Always look down and behind before and while backing to make sure no children are around.
- After resuming forward motion, return the key to the NORMAL MOWING position.

**IMPORTANT:** The REVERSE CAUTION MODE will remain activated until:

- The key is placed in either the NORMAL MOWING position or STOP position.
- The operator engages the parking brake by fully depressing the brake pedal and holding it down while moving the parking brake lever into the PARK BRAKE position.

## Engaging the Parking Brake.

To engage the parking brake:

- Fully depress the brake pedal and hold it down with your foot.
- Move the parking brake lever all the way down and into the ON position.
- Release the brake pedal to allow the parking brake to engage.

## To release the parking brake:

- Depress the brake pedal and move the parking brake lever out of the ON position and into the OFF position.

## Setting the Cutting Height

- Select the height position of the cutting deck by placing the deck lift lever in any of the five different cutting height notches on the right side of the fender.
- Adjust the deck wheels, if equipped, so that they are between ¼-inch and ½-inch above the ground when the tractor is on a smooth, flat surface such as a driveway.



**WARNING!** Keep hands and feet away from the discharge opening of the cutting deck.

**NOTE:** On models so equipped, the deck wheels are an anti-scalp feature of the deck and are not designed to support the weight of the cutting deck.

Refer to Leveling the Deck in the Maintenance & Adjustments section of this manual for more detailed instructions regarding various deck adjustments.

## Starting the Engine



**WARNING!** Do not operate the tractor if the interlock system is malfunctioning. This system was designed for your safety and protection.

**NOTE:** Refer to the TRACTOR SET-UP on page 11 of this manual for Gasoline and Oil fill-up instructions.

- Insert the tractor key into the ignition switch.
- Place the PTO (*blade engage*) lever in the disengaged (OFF) position.

- Engage the tractor's parking brake.
- Activate the choke control.
- Turn the ignition key clockwise to the START position. After the engine starts, release the key. It will return to the ON (or Normal Mowing) position.

**IMPORTANT:** Do NOT hold the key in the START position for longer than ten seconds at a time. Doing so may cause damage to your engine's electric starter.

- After the engine starts, deactivate the choke control and place the throttle control in the FAST position.

**NOTE:** Do NOT leave the choke control on while operating the tractor. Doing so will result in a "rich" fuel mixture and cause the engine to run poorly.

## Stopping the Engine



**WARNING!** If you strike a foreign object, stop the engine, disconnect the spark plug wire(s) and ground against the engine. Thoroughly inspect the machine for any damage. Repair the damage before restarting and operating

- If the blades are engaged, place the PTO (*blade engage*) lever in the disengaged (OFF) position.
- Turn the ignition key counterclockwise to the STOP position.
- Remove the key from the ignition switch to prevent unintended starting.

## Driving The Tractor



**WARNING!** Always look down and behind before and while traveling in reverse to avoid a back-over accident.

**WARNING!** Before leaving the operator's position. Always place the PTO (*blade engage*) lever in the disengaged (PTO OFF) position, place speed control lever in neutral, set parking brake, stop engine and remove key to prevent unintended starting. Depress the parking brake pedal to release the parking brake and let the pedal up.

- Move the throttle lever into the FAST (rabbit) position.  
**NOTE:** Always operate the tractor with the throttle control lever in the FAST (rabbit) position for the most efficient use of the cutting deck or other (separately available) attachments.
- Depress the parking brake pedal to release the parking brake.
- Slowly move the speed control lever in desired "F" forward or "R" reverse position. The further forward or rearward that the lever is moved, the faster the tractor will travel. Refer to Figure 4-4 in the previous section.



**WARNING!** Do NOT attempt to change the direction of travel when the tractor is in motion. Always bring the tractor to a complete stop before moving the speed control lever from forward to reverse or vice versa. Failure to do so could result in serious damage to your tractor's transmission.

**IMPORTANT:** First-time operators should use slower speeds. Become completely familiar with the tractor's operation and controls before operating the tractor in at higher speed.

4. **To stop**, move the speed control lever to the "N" neutral position.

**Important:** In a sudden situation, fully depress the brake pedal to bring the tractor to a stop and then immediately move the speed control lever to the "N" neutral position

5. Set the parking brake by fully depressing the parking brake pedal and keeping it depressed while placing the parking brake lever in the ON position. Release the parking brake pedal to allow the parking brake to engage.



**WARNING!** Before leaving the operator's position for any reason, disengage the blades, place the speed control lever in neutral, engage the parking brake, shut engine off and remove the key.

**IMPORTANT:** When stopping the tractor for any reason while on a grass surface, always:

1. Place the speed control lever in N (neutral),
2. Engage the parking brake,
3. Shut engine off and remove the key.

Doing so will minimize the possibility of having your lawn "browned" by hot exhaust from your tractor's running engine.

## Driving On Slopes

Refer to the SLOPE GAUGE in the Safe Operation section to help determine slopes where you may operate the tractor safely.



**WARNING!** Do not mow on inclines with a slope in excess of 15 degrees (a rise of approximately 2-1/2 feet every 10 feet). The tractor could overturn and cause serious injury.

- Mow up and down slopes, NEVER across.
- Exercise extreme caution when changing direction on slopes.
- Watch for holes, ruts, bumps, rocks, or other hidden objects. Uneven terrain could overturn the machine. Tall grass can hide obstacles.
- Avoid turns when driving on a slope. If a turn must be made, turn down the slope. Turning up a slope greatly increases the chance of a roll over.
- Avoid stopping when driving up a slope. If it is necessary to stop while driving up a slope, start up smoothly and carefully to reduce the possibility of flipping the tractor over backward.

## Engaging the Blades

Engaging the PTO (*blade engage*) transfers power to the cutting deck. To engage the blades, proceed as follows:

1. Move the throttle control lever to the FAST (rabbit) position.
2. Grasp the PTO (*blade engage*) lever and pivot it all the way forward into the engaged (ON) position.

3. Keep the throttle lever in the FAST (rabbit) position for the most efficient use of the cutting deck or other (separately available) attachments.

**IMPORTANT:** Models with Reverse Caution Mode:

The engine will automatically shut off if the PTO is engaged with the speed control lever in position for reverse travel with the ignition key in the NORMAL MOWING position.

### Models without Reverse Caution Mode:

The PTO (*blade engage*) lever must be in the disengaged (OFF) position when starting the engine, when traveling in reverse, and if the operator leaves the seat. Refer to Safety Interlock Switches earlier in this section.

## Using the Deck Lift Lever

To raise the cutting deck, move the deck lift lever to the left, then place it in the notch best suited for your application. Refer to Setting The Cutting Height earlier in this section.

## Mowing



**WARNING!** To help avoid blade contact or a thrown object injury, keep bystanders, helpers, children and pets at least 75 feet from the machine while it is in operation. Stop machine if anyone enters the area.

The following information will be helpful when using the cutting deck with your tractor:



**WARNING!** Plan your mowing pattern to avoid discharge of materials toward roads, sidewalks, bystanders and the like. Also, avoid discharging material against a wall or obstruction which may cause discharged material to ricochet back toward the operator.

- Do not mow at high ground speed, especially if a mulch kit or grass collector is installed.
- For best results it is recommended that the first two laps be cut with the discharge thrown towards the center. After the first two laps, reverse the direction to throw the discharge to the outside for the balance of cutting. This will give a better appearance to the lawn.
- Do not cut the grass too short. Short grass invites weed growth and yellows quickly in dry weather.
- Mowing should always be done with the engine at full throttle.
- Under heavier conditions it may be necessary to go back over the cut area a second time to get a clean cut.
- Do NOT attempt to mow heavy brush and weeds and extremely tall grass. Your tractor is designed to mow lawns, NOT clear brush.
- Keep the blades sharp and replace the blades when worn. Refer to Cutting Blades in the Service section of this manual for proper blade sharpening instructions.

## Mulching (if so equipped)

Select models come equipped with a mulch kit which incorporates special blades, already standard on the tractor, in a process of recirculating grass clippings repeatedly beneath the cutting deck. The ultra-fine clippings are then forced back into the lawn where they act as a natural fertilizer.

Observe the following points for the best results when mulching:

- Never attempt to mulch if the lawn is damp. Wet grass tends to stick to the underside of the cutting deck preventing proper mulching of the clippings.
- Do NOT attempt to mulch more than 1/3 the total height of the grass or approximately 1-1/2 inches. Doing so will cause the clippings to clump up beneath the deck and not be mulched effectively.
- Maintain a slow ground speed to allow the grass clippings more time to effectively be mulched.
- Always position the throttle control lever in the FAST (rabbit) position and allow it to remain there while mowing. Failing to keep the engine at full throttle places strain on the tractor's engine and does not allow the blades to properly mulch grass.

**NOTE:** It is not necessary to remove the discharge chute to operate the mower with the mulch kit installed.



**WARNING!** Never operate the mower without the discharge chute properly attached.

To operate the cutting deck without mulching, simply remove the mulch plug by raising the discharge chute (A), unhooking the chute strap from the pin on the cutting deck (B) and removing the mulch plug from under the discharge chute hinge (C). This will allow the clippings to discharge out the side. See Figure 5-2.

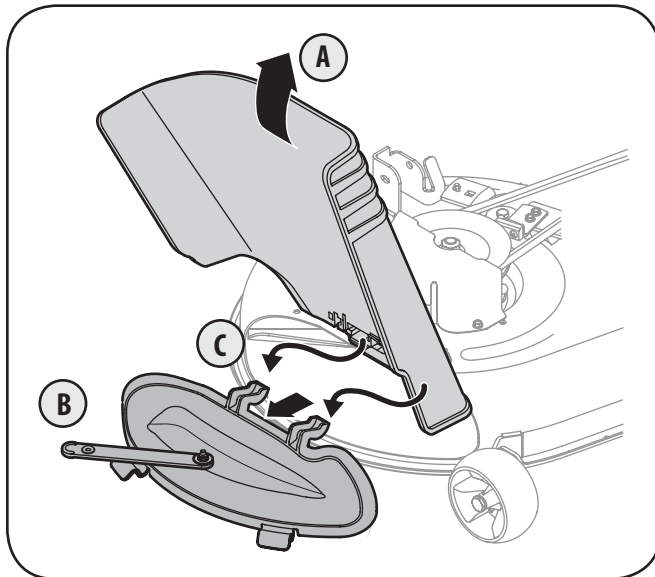


Figure 5-2

**NOTE:** For information regarding purchasing a mulch plug, or other accessories for your model of tractor, see the Attachments & Accessories section of this manual.

## Moving The Tractor Manually

Your tractor's transmission is equipped with a hydrostatic relief valve for occasions when it is necessary to move the tractor manually. Activating this valve forces the fluid in the transmission to bypass its normal route, allowing the rear tires to "freewheel." To engage the hydrostatic relief valve, proceed as follows:

1. Locate the hydrostatic bypass rod in the rear of the tractor. See Figure 5-3.

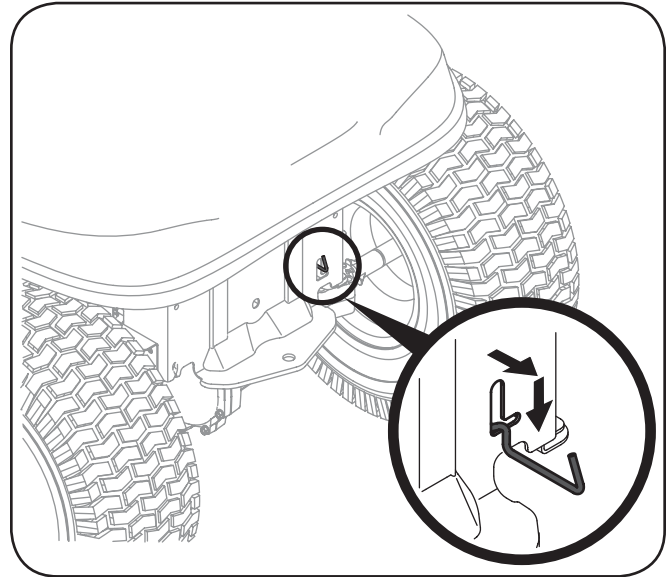


Figure 5-3

2. Pull the hydrostatic bypass rod outward, then down and to the left, to lock it in place.

**NOTE:** The transmission will NOT engage when the hydrostatic bypass rod is pulled out. Return the rod to its normal position prior to operating the tractor.

**IMPORTANT:** Never attempt to move the tractor manually without first engaging the hydrostatic relief valve. Doing so will result in serious damage to the tractor's transmission.

## Headlights

- On some models, the lamps are ON whenever the tractor's engine is running. On other models, the lamps are ON whenever the ignition key is moved out of the STOP position.
- On all models, the lamps turn OFF when the ignition key is moved to the STOP position.

## Maintenance



**WARNING!** Before performing any maintenance or repairs, disengage PTO, move shift lever into neutral position, set parking brake, stop engine and remove key to prevent unintended starting.

## Engine

Refer to the Engine Operator/Owner Manual for engine maintenance instructions.

Check engine oil level before each use as instructed in the Engine Operator/Owner Manual packed with your unit. Follow the instructions carefully.

### Changing Engine Oil (Kohler Single Cylinder Engine)



**WARNING!** If the engine has been recently run, the engine, muffler and surrounding metal surfaces will be hot and can cause burns to the skin. Exercise caution to avoid burns.

**NOTE:** The oil filter should be changed at every oil change interval.

To complete an oil change, proceed as follows:

1. Run the engine for a few minutes to allow the oil in the crankcase to warm up. Warm oil will flow more freely and carry away more of the engine sediment which may have settled at the bottom of the crankcase. Use care to avoid burns from hot oil.
2. Open the tractor's hood and locate the oil drain port on the left side of the engine.
3. Pop open the protective cap on the end of the oil drain valve to expose the drain port. See inset of Figure 6-1.

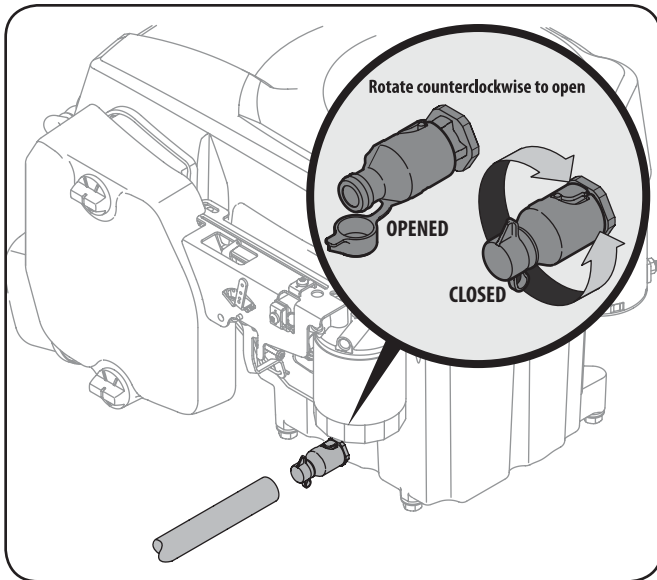


Figure 6-1

4. Remove the oil fill cap/ dipstick from the oil fill tube.
5. Push the oil drain hose (*packed with this manual*) onto the oil drain port. Route the opposite end of the hose into an appropriate oil collection container with at least a 2.5 quart capacity, to collect the used oil.
6. Slightly push in on the oil drain valve and rotate to open and allow the flow of oil. See Figure 6-1.
7. After the oil has finished draining, push the oil drain valve back in and rotate into the locked position. Re-cap the end of the oil drain valve to keep debris from entering the drain port.
8. Replace the oil filter (*if equipped*) as instructed in the separate engine Owner's Manual.
9. Refill the engine with new oil. Refer to the engine Owner's Manual for information regarding the proper volume and weight of engine oil.

### Changing Engine Oil (Troy-Bilt Single Cylinder Engine)

For draining oil from the engine's crankcase of select model tractors, a plastic oil drain sleeve is packed with this Operator's Manual. To drain the oil, proceed as follows:

1. Unscrew the oil fill cap and remove the dipstick from the oil fill tube.
2. Snap the small end of oil drain sleeve onto the oil sump. See Figure 6-2.

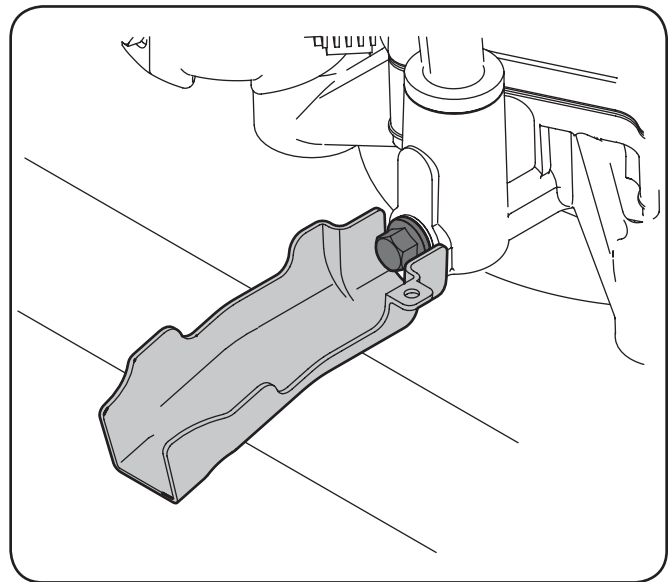


Figure 6-2

3. Remove drain plug and drain oil into a suitable container with a capacity of no less than 64 oz.
4. Service oil filter (*if so equipped*) as instructed in the separate Engine Operator/Owner Manual packed with your unit.

Perform the above steps in the opposite order after oil has finished draining.

5. Refill the engine with new motor oil as instructed in the Engine Operator/Owner Manual packed with your machine.

**NOTE:** Refer to the Engine Operator/Owner Manual packed with your unit for information regarding the quantity and proper viscosity of motor oil.

### Air Cleaner

Service the pre-cleaner, if so equipped, and cartridge/air cleaner element as instructed in the Engine Operator/Owner Manual packed with your unit.

### Spark Plug

The spark plug should be cleaned and the gap reset once a season. Spark plug replacement is recommended at the start of each mowing season. Refer to the Engine Operator/Owner Manual for correct plug type and gap specifications.

### Lubrication



**WARNING!** Before lubricating, repairing, or inspecting, always disengage PTO, move shift lever into neutral position, set parking brake, stop engine and remove key to prevent unintended starting.

### Engine

Lubricate the engine with motor oil as instructed in the Engine Owner Manual packed with your unit.

### Pivot Points & Linkage

Lubricate all the pivot points on the drive system, parking brake and lift linkage at least once a season with light oil.

### Rear Wheels

The rear wheels should be removed from the axles once a season. Lubricate the axles and the rims well with an all-purpose grease before re-installing them.

### Front Axles

Each end of the tractor's front pivot bar may be equipped with a grease fitting. Lubricate with a grease gun after every 25 hours of tractor operation.

### Battery

The battery is sealed and is maintenance-free. Acid levels cannot be checked.

- Always keep the battery cables and terminals clean and free of corrosive build-up.
- After cleaning the battery and terminals, apply a light coat of petroleum jelly or grease to both terminals.
- Always keep the rubber boot positioned over the positive terminal to prevent shorting.

**IMPORTANT:** If removing the battery for any reason, disconnect the NEGATIVE (Black) wire from its terminal first, followed by the POSITIVE (Red) wire. When re-installing the battery, always connect the POSITIVE (Red) wire its terminal first, followed by the NEGATIVE (Black) wire. Be certain that the wires are connected to the correct terminals; reversing them could change the polarity and result in damage to your engine's alternating system.

### Cleaning Battery

Clean the battery by removing it from the tractor and washing with a baking soda and water solution. If necessary, scrape the battery terminals with a wire brush to remove deposits. Coat terminals and exposed wiring with grease or petroleum jelly to prevent corrosion.

### Battery Failures

Some common causes for battery failure are:

- Incorrect initial activation
- Overcharging
- Freezing
- Undercharging
- Corroded connections

These failures are NOT covered by your tractor's warranty.

### Cleaning the Engine And Deck

Any fuel or oil spilled on the machine should be wiped off promptly. Do NOT allow debris to accumulate around the cooling fins of the engine or on any other part of the machine.

**IMPORTANT:** The use of a pressure washer to clean your tractor is NOT recommended. It may cause damage to electrical components, spindles, pulleys, bearings or the engine.

### Deck Wash System™

Your tractor's deck is equipped with a water port on its surface as part of its Deck Wash System™, follow these instructions to utilize this feature.

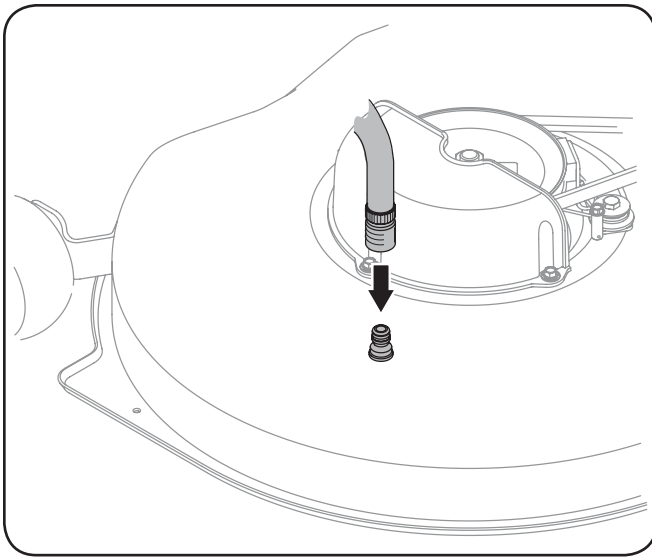
Use the Deck Wash System™ to rinse grass clippings from the deck's underside and prevent the buildup of corrosive chemicals. Complete the following steps AFTER EACH MOWING:

1. Drive the tractor to a level, clear spot on your lawn, near enough for your garden hose to reach.



**CAUTION:** Make certain the tractor's discharge chute is directed AWAY from your house, garage, parked cars, etc.

2. Disengage the PTO (*Blade Engage*), set the parking brake and stop the engine.
3. Thread the hose coupler (*packaged with your tractor's Operator's Manual*) onto the end of your garden hose.
4. Attach the hose coupler to the water port on the deck's surface. See Figure 6-3.
5. Turn the water on.
6. While sitting in the operator's position on the tractor, start the engine and place the throttle lever in the FAST (rabbit) position.
7. Move the tractor's PTO (*Blade Engage*) into the ON position.
8. Remain in the operator's position with the cutting deck engaged for a minimum of two minutes, allowing the underside of the cutting deck to thoroughly rinse.
9. Move the tractor's PTO (*Blade Engage*) into the OFF position.



**Figure 6-3**

10. Turn the ignition key to the STOP position to turn the tractor's engine off.
11. Turn the water off and detach the hose coupler from the water port on your deck's surface.
12. Repeat steps 4 through 11 on the opposite side of the cutting deck if a second water port is present.

**IMPORTANT:** After cleaning your deck with the Deck Wash System™, return to the operator's position and engage the PTO. Keep the cutting deck running for a minimum of two minutes, allowing the underside of the cutting deck to thoroughly dry.

## Adjustments



**WARNING!** Never attempt to make any adjustments while the engine is running, except where specified in the operator's manual.

### Leveling the Deck

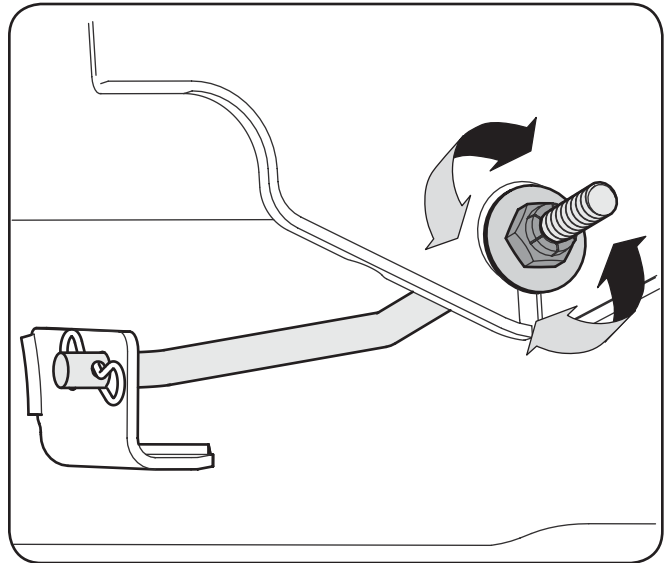
**NOTE:** Check the tractor's tire pressure before performing any deck leveling adjustments. Refer to Tires in the Service section of this manual for more information regarding tire pressure.

#### Front To Rear

The front of the cutting deck is supported by a stabilizer bar that can be adjusted to level the deck from front to rear. The front of the deck should be between ¼-inch and ⅜-inch lower than the rear of the deck. Adjust if necessary as follows:

1. With the tractor parked on a firm, level surface, place the lever for lifting the platform on the second to the top notch (second highest position) and rotate the blade as close to the discharge channel that is parallel to the tractor.
2. Measure the distance from the front of the blade tip to the ground and the rear of the blade tip to the ground. The first measurement taken should be between ¼" and ⅜" less than the second measurement. Determine the approximate distance necessary for proper adjustment and proceed, if necessary, to the next step.

3. Locate the jam nut and lock nut on the front side of the stabilizer bracket. See Figure 6-4 After loosening the jam nut:
  - Tighten the lock nut to raise the front of the deck;
  - Loosen the lock nut to lower the front of the deck.



**Figure 6-4**

4. Retighten the jam nut loosened earlier when proper adjustment is achieved.

### Side to Side

If the cutting deck appears to be mowing unevenly, a side to side adjustment can be performed. Adjust if necessary as follows:

1. With the tractor parked on a firm, level surface, place the deck lift lever in the second notch from the top (*second highest position*) and rotate both blades so that they are perpendicular with the tractor.
2. Measure the distance from the outside of the left blade tip to the ground and the distance from the outside of the right blade tip to the ground. Both measurements taken should be equal. If they're not, proceed to the next step.
3. Loosen, but do NOT remove, the hex cap screw on the left deck hanger bracket. See Figure 6-5.
4. Balance the deck by using a wrench to turn the adjustment gear (*found immediately behind the hex cap screw just loosened*) clockwise/up or counterclockwise/down. The deck is properly balanced when both blade tip measurements taken earlier are equal.
5. Retighten the hex cap screw on the left deck hanger bracket when proper adjustment is achieved.

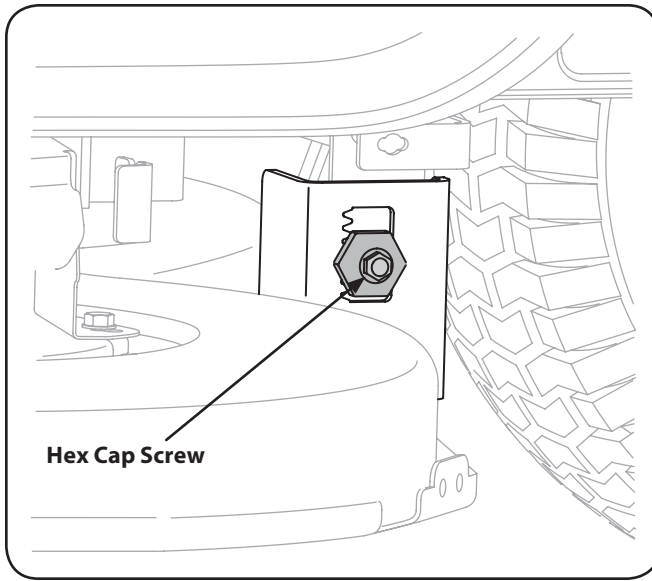


Figure 6-5

## Seat Adjustment

Refer to the Set-Up and Assembly section of this manual for seat adjustment instructions.

## Parking Brake Adjustment



**WARNING!** Never attempt to adjust the brakes while the engine is running. Always disengage PTO, move shift lever into neutral position, stop engine and remove key to prevent unintended starting.

If the tractor does not come to a complete stop when the brake pedal is completely depressed, or if the tractor's rear wheels can roll with the parking brake applied, the brake is in need of adjustment. See an authorized Troybilt Service Dealer to have your brakes properly adjusted.

## Maintenance Schedule

	Before Each use	Every 10 Hours	Every 25 Hours	Every 50 Hours	Every 100 Hours	Prior to Storing
Clean Hood/Dash Louvers		✓				✓
Check Engine Oil Level	✓	✓				
Check Air Filter for Dirty, Loose or Damaged Parts	✓					
Clean and Re-oil Air Filter's Foam Pre-cleaner			✓			
Replace Air Filter Element					✓	
Change Engine Oil and Replace Oil Filter				✓		
Clean Battery Terminals		✓				✓
Lube Front Axles and Rims			✓			✓
Clean Engine Cooling Fins			✓			✓
Lube Pedal Pivot Points		✓				✓
Check Spark Plug Condition & Gap					✓	✓
Replace Fuel Filter					✓	

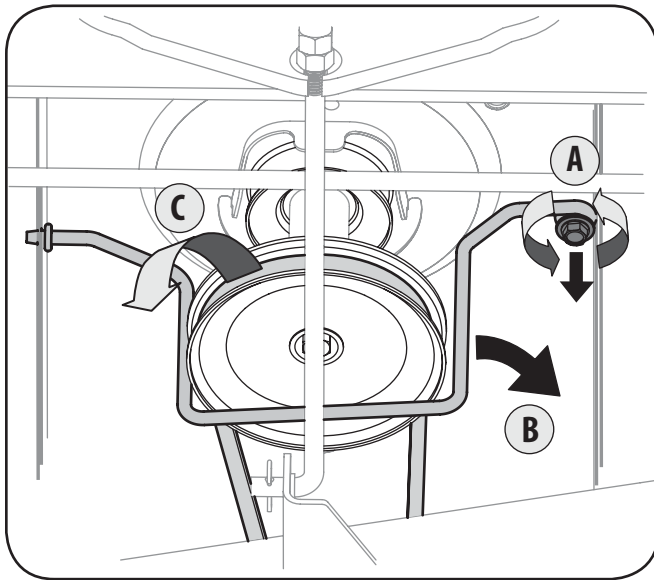
**IMPORTANT:** It is important to consult the specific engine operator's manual included with this machine for detailed engine maintenance procedures and intervals.

## Cutting Deck Removal

To remove the cutting deck, proceed as follows:

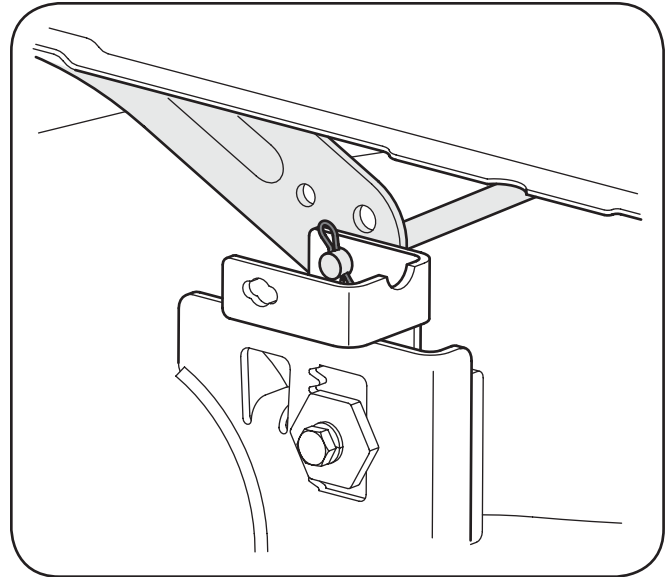
1. Place the PTO (*Blade Engage*) lever in the disengaged (OFF) position and engage the parking brake.
2. Lower the deck by moving the deck lift lever into the bottom notch on the right fender.
3. Remove the belt-keeper rod, from around the tractor's engine pulley, by removing the self-tapping screw (A) that secures it. See Figure 7-1.

**Note:** Make a mental note what hole the other end of the belt-keeper rod is inserted in for reinstallation purposes.



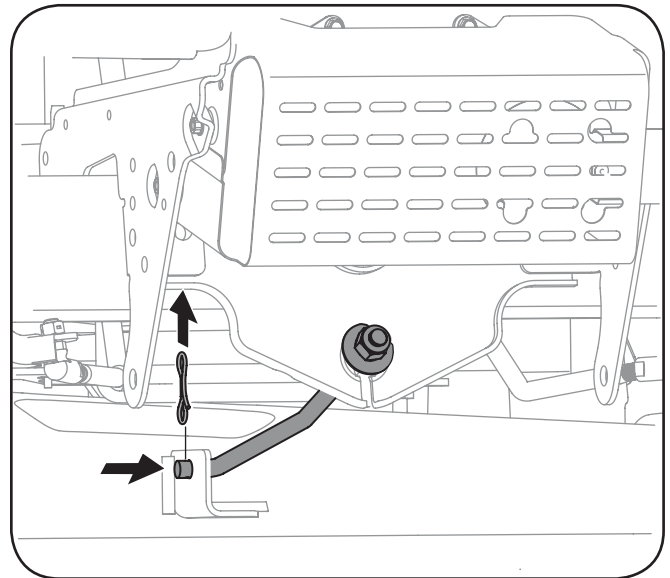
**Figure 7-1**

4. Remove the belt (C) from around the tractor's engine pulley and idler pulley(s). See Figure 7-1.
5. Looking at the cutting deck from the left side of the tractor, locate the bow-tie pin that secures the deck support rod on the rear left side of the deck. See Figure 7-2. Remove the bow-tie pin that secures the deck support rod, and carefully remove the deck support from the deck lift arm.
6. Repeat the above steps on the tractor's right side.



**Figure 7-2**

7. Move the deck lift lever into the top notch on the right fender to raise the deck lift arms up and out of the way.
8. Remove the bow-tie pin securing the deck stabilizer rod to the deck. Slide the deck lift rod from the mounting weldment on the deck as seen in Figure 7-3.



**Figure 7-3**



- Carefully remove the PTO cable from the rear of the cutting deck by removing the bow-tie clip which secures it. Remove the spring from the deck idler bracket. See Figure 7-4.

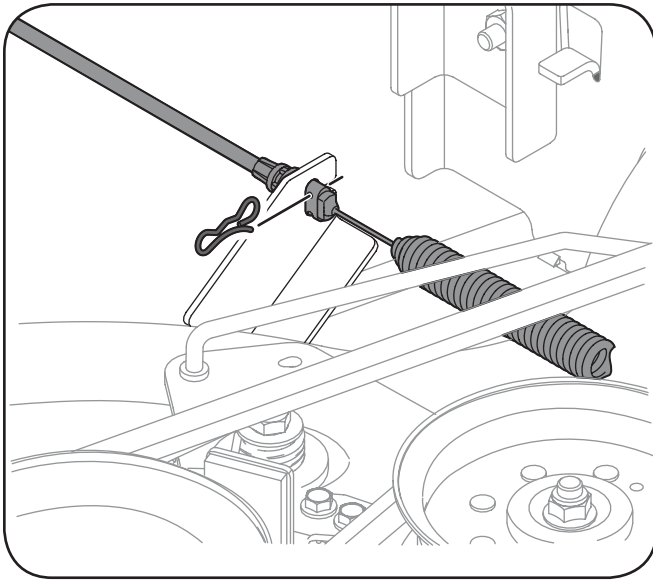


Figure 7-4

- Gently slide the cutting deck (from the left side) out from underneath the tractor.

## Tires



**WARNING!** Never exceed the maximum inflation pressure shown on the sidewall of the tire.

The recommended operating tire pressure is:

- Approximately 10 psi for the rear tires
- Approximately 14 psi for the front tires

**IMPORTANT:** Refer to the tire sidewall for exact tire manufacturer's recommended or maximum psi. Do not overinflate. Uneven tire pressure could cause the cutting deck to mow unevenly.

## Battery



**CALIFORNIA PROPOSITION 65 WARNING!** Battery posts, terminals, and related accessories contain lead and lead compounds, chemicals known to the State of California to cause cancer and reproductive harm. Wash hands after handling.



**CAUTION:** If removing the battery, disconnect the NEGATIVE (Black) wire from its terminal first, followed by the POSITIVE (Red) wire. When re-installing the battery, always connect the POSITIVE (Red) wire its terminal first, followed by the NEGATIVE (Black) wire.

## Jump Starting



**WARNING!** Never jump start a damaged or frozen battery. Be certain the vehicles do not touch, and ignitions are off. Do not allow cable clamps to touch.

- Connect positive (+) cable to positive post (+) of your tractor's discharged battery.
- Connect the other end of the cable to the (positive +) post of the jumper battery.
- Connect the second cable (negative -) to the other post of the jumper battery.
- Make the final connection on the engine block of the tractor, away from the battery. Attach to a unpainted part to assure a good connection.



**CAUTION:** If the jumper battery is installed on a vehicle (i.e. car, truck), do NOT start the vehicle's engine when jump starting your tractor.

- Start the tractor as instructed in the Operation section of this manual.
- Set the tractor's parking brake before removing the jumper cables, in reverse order of connection.

## Charging



**WARNING!** Batteries give off an explosive gas while charging. Charge the battery in a well ventilated area and keep away from an open flame or pilot light as on a water heater, space heater, furnace, clothes dryer or other gas appliances.



**CAUTION:** When charging your tractor's battery, use only a charger designed for 12V lead-acid batteries. Read your battery charger's Owner's Manual prior to charging your tractor's battery. Always follow its instructions and heed its warnings.

If your tractor has not been put into use for an extended period of time, charge the battery as follows:

- Set your battery charger to deliver a max of 10 amperes.

If your battery charger is automatic, charge the battery until the charger indicates that charging is complete. If the charger is not automatic, charge for no fewer than eight hours.

## Fuse

One 20 AMP fuse is installed in your tractor's wiring harness to protect the tractor's electrical system from damage caused by excessive amperage.

If the electrical system does not function, or your tractor's engine will not crank, first check to be certain that the fuse has not blown. It can be found at the rear of the unit, underneath the fender located by the battery.



**WARNING!** Always use a fuse with the same amperage capacity for replacement.

## Cutting Blades



**WARNING!** Shut the engine off and remove ignition key before removing the cutting blade(s) for sharpening or replacement. Protect your hands by using heavy gloves when grasping the blade.

**WARNING!** Periodically inspect the blade spindles for cracks or damage, especially if you strike a foreign object. Replace immediately if damaged.

The blades may be removed as follows.

1. Remove the deck from beneath the tractor, (refer to *Cutting Deck Removal earlier in this section*) then gently flip the deck over to expose its underside.
2. Place a block of wood between the center deck housing baffle and the cutting blade to act as a stabilizer. See Figure 7-5.
3. Remove the hex flange nut that secures the blade to the spindle assembly. See Figure 7-5.

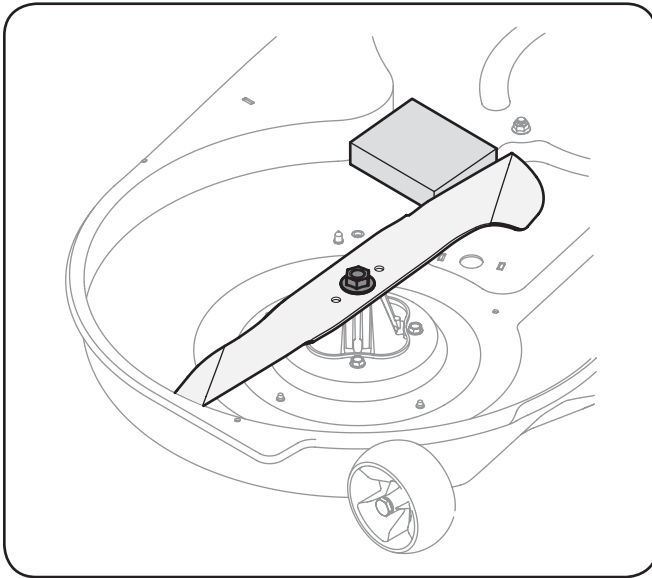


Figure 7-5

4. To properly sharpen the cutting blades, remove equal amounts of metal from both ends of the blades along the cutting edges, parallel to the trailing edge, at a 25° to 30° angle.

**IMPORTANT:** If the cutting edge of the blade has already been sharpened to within 1 5/8" from the edge, or if any metal separation is present, replace the blades with new ones. See Figure 7-6.

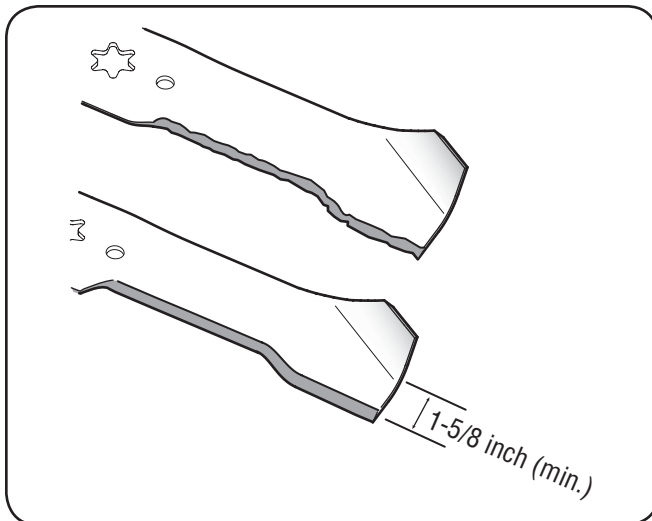


Figure 7-6



**CAUTION:** If the cutting edge of the blade has previously been sharpened, or if any metal separation is present, replace the blades with new ones.



**WARNING!** A poorly balanced blade will cause excessive vibration, may cause damage to the tractor and/or result in personal injury.

5. Test the blade's balance using a blade balancer. Grind metal from the heavy side until it balances evenly.

**NOTE:** When replacing the blade, be sure to install the blade with the side of the blade marked "Bottom" (or with a part number stamped in it) facing the ground when the mower is in the operating position.



**CAUTION:** Use a torque wrench to tighten the blade spindle hex flange nut to between 70 lbs-ft and 90 lbs-ft.

## Changing the Deck Belt



**WARNING!** Be sure to shut the engine off, remove ignition key, disconnect the spark plug wire(s) and ground against the engine to prevent unintended starting before removing the belt.



**WARNING!** All belt on your tractor are subject to wear and should be replaced if any signs of wear are present.

**IMPORTANT:** The V-belt found on your tractor are specially designed to engage and disengage safely. A substitute (*non-OEM*) V-belt can be dangerous by not disengaging completely. For a proper working machine, use factory approved belts.

To change or replace the deck belt on your tractor, proceed as follows:

1. Remove the deck as instructed earlier in this section.
2. Remove the belt covers by removing the hex washer screws that fasten them to the deck. See Figure 7-7.

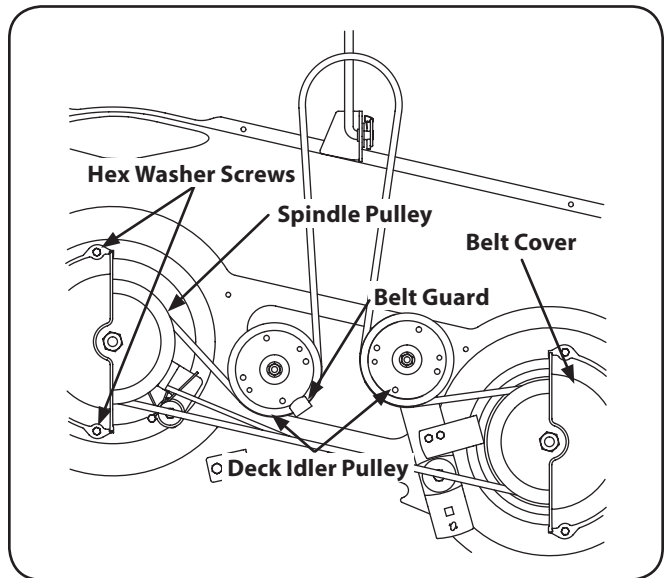


Figure 7-7

3. It may also be necessary to loosen the hex nut on the left idler pulley to get the belt off the pulley and around the belt guard.

4. Carefully remove the deck belt from around the two spindle pulleys and the two deck idler pulleys. See Figure 7-7.
5. To place the new belt, begin by routing the belt around the two outer spindle pulleys as shown in Figure 7-7.
6. Then route the belt around the two deck idler pulleys as shown in Figure 7-7.
7. Retighten the left idler pulley hex nut loosened earlier.
8. Remount the belt guards removed earlier.
9. Re-install the deck, making sure the belt remains routed around the pulleys as instructed. See Figure 7-8.
10. Pull the right side of the belt, and place the narrow V side of the belt into the PTO pulley.
11. While holding the belt and pulley together, rotate the pulley to the left. Continue holding and rotating the pulley and belt until the belt is fully rolled into the PTO pulley.

## Changing the Transmission Drive Belt

NOTE: Several components must be removed and special tools (i.e. air/impact wrench) in order to change the tractor's drive belt. See an authorized Troy-bilt Service Dealer to have your drive belt replaced or phone Customer Support as instructed on page 2 for information on ordering a Service Manual.

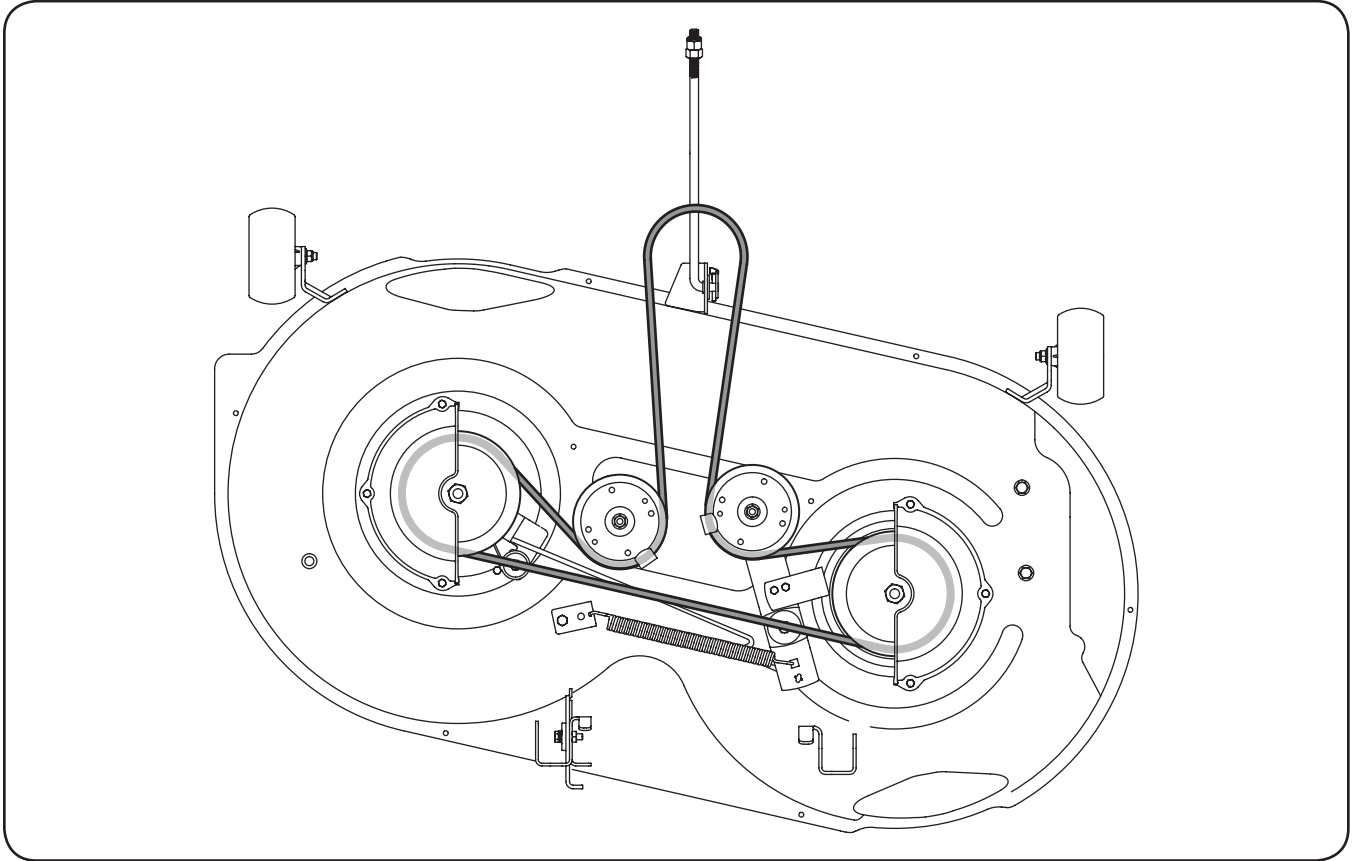
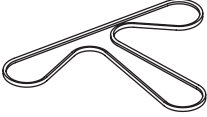

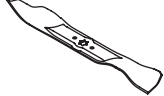
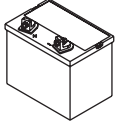




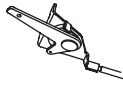
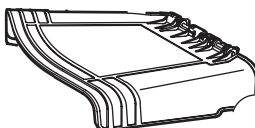


Figure 7-8

Problem	Cause	Remedy
Engine fails to start	<ol style="list-style-type: none"> <li>1. PTO/Blade engaged.</li> <li>2. Spark plug wire disconnected.</li> <li>3. Fuel tank empty, or stale fuel.</li> <li>4. Choke not activated.</li> <li>5. Faulty spark plug.</li> <li>6. Blocked fuel line.</li> <li>7. Engine flooded.</li> <li>8. Parking brake not engaged</li> <li>9. Throttle control lever not in correct starting position.</li> </ol>	<ol style="list-style-type: none"> <li>1. Place knob (or lever) in disengaged (OFF) position.</li> <li>2. Connect wire to spark plug.</li> <li>3. Fill tank with clean, fresh (less than 30 days old) gas.</li> <li>4. Place the throttle control in CHOKE position.</li> <li>5. Clean, adjust gap or replace plug.</li> <li>6. Clean fuel line and replace fuel filter.</li> <li>7. Crank engine with throttle in FAST position.</li> <li>8. Engage parking brake.</li> <li>9. Place throttle lever to FAST position.</li> </ol>
Engine runs erratic	<ol style="list-style-type: none"> <li>1. Unit running with CHOKE activated.</li> <li>2. Spark plug wires loose.</li> <li>3. Blocked fuel line or stale fuel.</li> <li>4. Vent in gas cap plugged.</li> <li>5. Water or dirt in fuel system.</li> <li>6. Dirty air cleaner.</li> </ol>	<ol style="list-style-type: none"> <li>1. Move the throttle control out of the CHOKE position.</li> <li>2. Connect and tighten spark plug wire.</li> <li>3. Clean fuel line; fill tank with clean, fresh gasoline and replace fuel filter, if so equipped.</li> <li>4. Clear vent or replace cap if damaged.</li> <li>5. Drain fuel tank. Refill with clean, fresh gasoline.</li> <li>6. Replace air cleaner paper element or clean foam pre-cleaner, if so equipped.</li> </ol>
Engine overheats	<ol style="list-style-type: none"> <li>1. Engine oil level low.</li> <li>2. Air flow restricted.</li> </ol>	<ol style="list-style-type: none"> <li>1. Fill crankcase with proper amount and weight of oil.</li> <li>2. Clean grass clippings and debris from around the engine's cooling fins and blower housing.</li> </ol>
Engine hesitates at high RPM	<ol style="list-style-type: none"> <li>1. Spark plug gap too close.</li> </ol>	<ol style="list-style-type: none"> <li>1. Remove spark plug and reset the gap.</li> </ol>
Engine Idles rough	<ol style="list-style-type: none"> <li>1. Spark plug fouled, faulty or gap too wide.</li> <li>2. Dirty air cleaner.</li> </ol>	<ol style="list-style-type: none"> <li>1. Replace spark plug. Set plug gap.</li> <li>2. Replace air cleaner element and/or clean pre-cleaner, if so equipped.</li> </ol>
Excessive vibration	<ol style="list-style-type: none"> <li>1. Cutting blade loose or unbalanced.</li> <li>2. Damaged or bent cutting blade.</li> </ol>	<ol style="list-style-type: none"> <li>1. Tighten blade and spindle. Balance blade.</li> <li>2. Replace blade.</li> </ol>
Mower will not mulch grass	<ol style="list-style-type: none"> <li>1. Engine speed too low.</li> <li>2. Wet grass.</li> <li>3. Excessively high grass.</li> <li>4. Dull blade.</li> </ol>	<ol style="list-style-type: none"> <li>1. Place throttle in FAST (rabbit) position.</li> <li>2. Do not mulch when grass is wet.</li> <li>3. Mow once at a high cutting height, then mow again at desired height or make a narrower cutting swath.</li> <li>4. Sharpen or replace blade.</li> </ol>
Uneven cut	<ol style="list-style-type: none"> <li>1. Deck not leveled properly.</li> <li>2. Dull blade.</li> <li>3. Uneven tire pressure.</li> </ol>	<ol style="list-style-type: none"> <li>1. Perform side-to-side deck adjustment.</li> <li>2. Sharpen or replace blade.</li> <li>3. Check tire pressure in all four tires.</li> </ol>

Component	Part Number and Description
	954-04060C Deck Belt (42" Mowing Deck) 954-04219 Drive Belt (46" Mowing Deck)
	918-06991 Deck Spindle (42" Mowing Deck) 918-06989 Deck Spindle (46" Mowing Deck)
	942-04308 Blade (42" Mowing Deck) 942-04308-X Extreme Blade (42" Mowing Deck) 942-04290 Blade (46" Mowing Deck) 942-04290-X Extreme Blade (46" Mowing Deck)
	925-1707D Battery
 <p>(CA Models Only)</p>	951-12179B Fuel Tank Cap 951-12426A Fuel Tank Cap (CA Models Only)
	625-05002 Key Asm-Black Key W/Keychain
	734-1731 Tire (Front) 15 x 6 x 6 Square Shoulder 734-04240A Tire (Front) 15 x 6 x 6 Round Shoulder
	734-1730 Tire (Rear) 20 x 8 x 8 Square Shoulder 734-04241 Tire (Rear) 20 x 8 x 8 Round Shoulder
	746-04367 Throttle Control/Cable
	631-04354A Discharge Chute Assembly

**NOTE:** Download a complete Parts Manual free of charge at [www.troybilt.com](http://www.troybilt.com) or phone (800) 828-5500 to purchase a Parts Manual. Be sure to have your model number and serial number ready. These can be found on the model plate located under the seat. Refer to page 2 for more information regarding locating your model and serial numbers.

The following attachments and accessories are compatible for the Troy-bilt Lawn Tractor. See the retailer from which you purchased your tractor, an authorized Troy-bilt Service Dealer or phone (800) 828-5500 for information regarding price and availability.



**CAUTION:** Model Series 700 Hydrostatic Lawn Tractors are NOT designed for use with any type of ground-engaging attachments (e.g. tiller or plow). Use of this type of equipment WILL void the tractor's warranty.

Model Number	Description
19A30005OEM	Mulch Kit
19A30003OEM	Bagger
OEM-190-679	Bumper Kit
OEM-190-833	Dozer Blade
OEM-190-032	42-Inch Two Stage Snow Thrower
490-900-M060	42 lb Rear Suit Case Weight Kit With Bracket
490-900-M059	42 Lb Rear Suit Case Weight
490-241-0023	Tire Chains 20X8
490-290-0013	Tractor Cover
OEM-190-607	Sun Shade
490-850-0005	Blade Removal Tool
490-850-0008	Oil Siphon
490-900-0045	Oil Filter Wrench
SPW-136	Spark Plug Wrench
490-325-L021	1 Gallon Tire & Tube Sealant By Tire Aid
490-325-L019	24 Oz Tire & Tube Sealant By Tire Aid
490-850-L013	Deluxe Tire/ Tube Foot Pump By Tire Aid
490-850-L014	Tire Aid Deluxe Tire Plug Kit By Tire Aid
490-328-L014	15" Tractor Tube With Sealant By Tire Aid
490-328-L016	18" & 20" Tractor Tube With Sealant By Tire Aid
22216	32 oz. <b>STA-BIL</b> ®

---

**FEDERAL and/or CALIFORNIA EMISSION CONTROL WARRANTY STATEMENT**  
**YOUR WARRANTY RIGHTS AND OBLIGATIONS**

MTD Consumer Group Inc, the United States Environmental Protection Agency (EPA), and for those products certified for sale in the state of California, the California Air Resources Board (CARB) are pleased to explain the evaporative emission control system (ECS) warranty on your 2014-2015 small off-road equipment (outdoor equipment). In California, new outdoor equipment must be designed, built and equipped to meet the State's stringent anti-smog standards (in other states, outdoor equipment must be designed, built, and equipped to meet the U.S. EPA small off-road spark ignition engine regulations). MTD Consumer Group Inc must warrant the ECS on your outdoor equipment for the period of time listed below, provided there has been no abuse, neglect, or improper maintenance of the outdoor equipment.

Your ECS may include parts such as fuel tanks, fuel lines, fuel caps, valves, canisters, filters, vapor hoses, clamps, connectors, and other associated emission-related components.

Where a warrantable condition exists, MTD Consumer Group Inc will repair your outdoor equipment at no cost to you including diagnosis, parts, and labor.

**MANUFACTURER'S WARRANTY COVERAGE:**

This emission control system is warranted for two years. If any emission-related part on your outdoor equipment is defective, the part will be repaired or replaced by MTD Consumer Group Inc.

**OWNER'S WARRANTY RESPONSIBILITIES:**

As the outdoor equipment owner, you are responsible for performance of the required maintenance listed in your owner's manual. MTD Consumer Group Inc recommends that you retain all receipts covering maintenance on your outdoor equipment, but MTD Consumer Group Inc cannot deny warranty solely for the lack of receipts.

As the outdoor equipment owner, you should however be aware that MTD Consumer Group Inc may deny you warranty coverage if your outdoor equipment or a part has failed due to abuse, neglect, improper maintenance, or unapproved modifications.

You are responsible for presenting your outdoor equipment to MTD Consumer Group Inc's distribution center or service center as soon as the problem exists. The warranty repairs should be completed in a reasonable amount of time, not to exceed 30 days. If you have a question regarding your warranty coverage, you should contact the MTD Consumer Group Inc Service Department at 1-800-800-7310 or at <http://support.mtdproducts.com>.

**GENERAL EMISSIONS WARRANTY COVERAGE:**

MTD Consumer Group Inc warrants to the ultimate purchaser and each subsequent purchaser that the outdoor equipment is: (1) designed, built, and equipped so as to conform with all applicable regulations; and (2) free from defects in materials and workmanship that cause the failure of a warranted part for a period of two years.

The warranty period begins on the date the outdoor equipment is delivered to an ultimate purchaser or first placed into service.

Subject to certain conditions and exclusions as stated below, the warranty on emission-related parts is as follows:

1. Any warranted part that is not scheduled for replacement as required maintenance in the written instructions supplied is warranted for the warranty period stated above. If the part fails during the period of warranty coverage, the part will be repaired or replaced by MTD Consumer Group Inc according to subsection (4) below. Any such part repaired or replaced under warranty will be warranted for the remainder of the period.
  2. Any warranted part that is scheduled only for regular inspection in the written instructions supplied is warranted for the warranty period stated above. Any such part repaired or replaced under warranty will be warranted for the remaining warranty period.
  3. Any warranted part that is scheduled for replacement as required maintenance in the written instructions supplied is warranted for the period of time before the first scheduled replacement date for that part. If the part fails before the first scheduled replacement, the part will be repaired or replaced by MTD Consumer Group Inc according to subsection (4) below. Any such part repaired or replaced under warranty will be warranted for the remainder of the period prior to the first scheduled replacement point for the part.
  4. Repair or replacement of any warranted part under the warranty provisions herein must be performed at a warranty station at no charge to the owner.
  5. Notwithstanding the provisions herein, warranty services or repairs will be provided at all of our distribution centers that are franchised to service the subject engines or equipment.
  6. The outdoor equipment owner will not be charged for diagnostic labor that is directly associated with diagnosis of a defective, emission-related warranted part, provided that such diagnostic work is performed at a warranty station.
  7. MTD Consumer Group Inc is liable for damages to other engine or equipment components proximately caused by a failure under warranty of any warranted part.
  8. Throughout the off-road engine and equipment warranty period stated above, MTD Consumer Group Inc will maintain a supply of warranted parts sufficient to meet the expected demand for such parts.
  9. Any replacement part may be used in the performance of any warranty maintenance or repairs and must be provided without charge to the owner. Such use will not reduce the warranty obligations of MTD Consumer Group Inc.
  10. Add-on or modified parts that are not exempted by the Air Resources Board may not be used. The use of any non-exempted add-on or modified parts by the ultimate purchaser will be grounds for disallowing a warranty claim. MTD Consumer Group Inc will not be liable to warrant failures of warranted parts caused by the use of a non-exempted add-on or modified part.
-

---

## WARRANTED PARTS:

The repair or replacement of any warranted part otherwise eligible for warranty coverage may be excluded from such warranty coverage if MTD Consumer Group Inc demonstrates that the outdoor equipment has been abused, neglected, or improperly maintained, and that such abuse, neglect, or improper maintenance was the direct cause of the need for repair or replacement of the part. That notwithstanding, any adjustment of a component that has a factory installed, and properly operating, adjustment limiting device is still eligible for warranty coverage. Further, the coverage under this warranty extends only to parts that were present on the off-road equipment purchased.

The following emission warranty parts are covered (if applicable):

1. Fuel Metering System
  - Fuel pump
  - Fuel tank
2. Evaporative Control
  - Fuel hose
  - Fuel hose clamps
  - Tethered fuel cap
  - Carbon canister
  - Vapor lines



# MANUFACTURER'S LIMITED WARRANTY FOR



The limited warranty set forth below is given by Troy-Bilt LLC with respect to new merchandise purchased and used in the United States and/or its territories and possessions, and by MTD Products Limited with respect to new merchandise purchased and used in Canada and/or its territories and possessions (either entity respectively, "Troy-Bilt").

This warranty is in addition to any applicable emissions warranty provided with your product.

"Troy-Bilt" warrants this product (excluding its *Normal Wear Parts* and *Attachments* as described below) against defects in material and workmanship for a period of two (2) years commencing on the date of original purchase and will, at its option, repair or replace, free of charge, any part found to be defective in materials or workmanship. This limited warranty shall only apply if this product has been operated and maintained in accordance with the Operator's Manual furnished with the product, and has not been subject to misuse, abuse, commercial use, neglect, accident, improper maintenance, alteration, vandalism, theft, fire, water, or damage because of other peril or natural disaster. Damage resulting from the installation or use of any part, accessory or attachment not approved by Troy-Bilt for use with the product(s) covered by this manual will void your warranty as to any resulting damage.

*Normal Wear Parts* are warranted to be free from defects in material and workmanship for a period of thirty (30) days from the date of purchase. Normal wear parts include, but are not limited to items such as: batteries, belts, blades, blade adapters, tines, grass bags, wheels, rider deck wheels, seats, snow thrower skid shoes, friction wheels, shave plates, auger spiral rubber and tires.

*Attachments* — Troy-Bilt warrants attachments for this product against defects in material and workmanship for a period of one (1) year, commencing on the date of the attachment's original purchase or lease. Attachments include, but are not limited to items such as: grass collectors and mulch kits.

**HOW TO OBTAIN SERVICE:** Warranty service is available, WITH PROOF OF PURCHASE, through your local authorized service dealer. To locate the dealer in your area:

## **In the U.S.A.**

Check your Yellow Pages, or contact Troy-Bilt LLC at P.O. Box 361131, Cleveland, Ohio 44136-0019, or call 1-866-840-6483, 1-330-558-7220 or log on to our Web site at [www.troybilt.com](http://www.troybilt.com).

## **In Canada**

Contact MTD Products Limited, Kitchener, ON N2G 4J1, or call 1-800-668-1238 or log on to our Web site at [www.mtdcanada.com](http://www.mtdcanada.com).

This limited warranty does **not** provide coverage in the following cases:

- a. The engine or component parts thereof. These items may carry a separate manufacturer's warranty. Refer to applicable manufacturer's warranty for terms and conditions.
- b. Log splitter pumps, valves, and cylinders have a separate one-year warranty.

- c. Routine maintenance items such as lubricants, filters, blade sharpening, tune-ups, brake adjustments, clutch adjustments, deck adjustments, and normal deterioration of the exterior finish due to use or exposure.
- d. Service completed by someone other than an authorized service dealer.
- e. Troy-Bilt does not extend any warranty for products sold or exported outside of the United States and/or Canada, and their respective possessions and territories, except those sold through Troy-Bilt's authorized channels of export distribution.
- f. Replacement parts that are not genuine Troy-Bilt parts.
- g. Transportation charges and service calls.
- h. Troy-Bilt does not warrant this product for commercial use.

**No implied warranty, including any implied warranty of merchantability or fitness for a particular purpose, applies after the applicable period of express written warranty above as to the parts as identified. No other express warranty, whether written or oral, except as mentioned above, given by any person or entity, including a dealer or retailer, with respect to any product, shall bind Troy-Bilt. During the period of the warranty, the exclusive remedy is repair or replacement of the product as set forth above.**

**The provisions as set forth in this warranty provide the sole and exclusive remedy arising from the sale. Troy-Bilt shall not be liable for incidental or consequential loss or damage including, without limitation, expenses incurred for substitute or replacement lawn care services or for rental expenses to temporarily replace a warranted product.**

Some states do not allow the exclusion or limitation of incidental or consequential damages, or limitations on how long an implied warranty lasts, so the above exclusions or limitations may not apply to you.

In no event shall recovery of any kind be greater than the amount of the purchase price of the product sold. **Alteration of safety features of the product shall void this warranty.** You assume the risk and liability for loss, damage, or injury to you and your property and/or to others and their property arising out of the misuse or inability to use the product.

This limited warranty shall not extend to anyone other than the original purchaser or to the person for whom it was purchased as a gift.

**HOW STATE LAW RELATES TO THIS WARRANTY:** This limited warranty gives you specific legal rights, and you may also have other rights which vary from state to state.

**IMPORTANT:** Owner must present Original Proof of Purchase to obtain warranty coverage.

**Troy-Bilt LLC, P.O. BOX 361131 CLEVELAND, OHIO 44136-0019; Phone: 1-866-840-6483, 1-330-558-7220**  
**MTD Canada Limited - KITCHENER, ON N2G 4J1; Phone 1-800-668-1238**

## Gracias

Gracias por comprar un tractor corta césped fabricado por Troy-Bilt. El mismo ha sido diseñado cuidadosamente para brindar excelente rendimiento si se lo opera y mantiene correctamente.

Por favor lea todo este manual antes de operar el equipo. Le indica cómo configurar, operar y mantener la máquina con seguridad y fácilmente. Por favor asegúrese de seguir cuidadosamente y en todo momento las prácticas de seguridad recomendadas y de hacérselas seguir a cualquier otra persona que opere la máquina. En caso de no hacerlo podrían producirse lesiones personales o daños materiales.

Toda la información contenida en este manual hace referencia a la más reciente información de producto disponible en el momento de la impresión. Revise el manual frecuentemente para familiarizarse con la máquina, sus características y funcionamiento. Por favor tenga en cuenta que este Manual del Operador puede cubrir una gama de especificaciones de productos de diferentes modelos. Las características y funciones incluidas y/o ilustradas en este manual pueden no ser aplicables a todos los modelos. Troy-Bilt se reserva el derecho de modificar las especificaciones de los productos, los diseños y el equipo sin

previo aviso y sin generar responsabilidad por obligaciones de ningún tipo.

Si tiene algún problema o duda respecto a la máquina, llame a su distribuidor de servicio local Troy-Bilt autorizado o póngase en contacto directamente con nosotros. Los números de teléfono, dirección del sitio web y dirección postal de la Asistencia al Cliente de Cud Cadet se encuentran en esta página. Queremos garantizar su entera satisfacción en todo momento.

En este manual, las referencias al lado *derecho* o *izquierdo* de la máquina se observan desde la posición del operador.

El fabricante del motor es el responsable de todas las cuestiones relacionadas con el rendimiento, potencia de salida, especificaciones, garantía y mantenimiento del motor. Para obtener mayor información consulte el Manual del Propietario / Operador entregado por el fabricante del motor, que se envía, en un paquete por separado, junto con su máquina.

## Índice

<b>Medidas importantes de seguridad</b> .....	<b>35</b>	<b>Servicio</b> .....	<b>56</b>
<b>Montaje y Configuración</b> .....	<b>41</b>	<b>Solución de problemas</b> .....	<b>60</b>
<b>Controles y Características</b> .....	<b>45</b>	<b>Piezas de reemplazo</b> .....	<b>61</b>
<b>Funcionamiento</b> .....	<b>48</b>	<b>Aditamentos y accesorios</b> .....	<b>62</b>
<b>Mantenimiento y Ajustes</b> .....	<b>52</b>	<b>Garantía</b> .....	<b>68</b>

## Registro de información de producto

Antes de configurar y operar su equipo nuevo, por favor localice la placa del modelo en el equipo y registre la información en el área situada a la derecha. Puede localizar la placa de modelo mirando debajo del asiento. Si tiene que solicitar soporte técnico a través de nuestro sitio web, el Departamento de Asistencia al Cliente, o de un distribuidor de servicio autorizado local, necesitará esta información.

### NÚMERO DE MODELO

--	--	--	--	--	--	--	--	--	--	--	--

### NÚMERO DE SERIE

--	--	--	--	--	--	--	--	--	--	--	--

## Asistencia al Cliente

En caso de tener problemas para montar este producto o de tener dudas con respecto a los controles, funcionamiento o mantenimiento de esta máquina, puede solicitar la ayuda de expertos. Elija entre las opciones que se presentan a continuación:

- ◇ Visite nuestro sitio web en [www.troybilt.com](http://www.troybilt.com)



Ver Vídeos demostrativos de instalación de mantenimiento y piezas en [www.troybilt.com/Tutorials](http://www.troybilt.com/Tutorials)

- ◇ Llame al representante de Atención al Cliente al (800) 828-5500 o (330) 558-7220
- ◇ Escribanos a Troy-Bilt LLC • P.O. Box 361131 • Cleveland, OH • 44136-0019



**ADVERTENCIA:** La presencia de este símbolo indica que se trata de instrucciones importantes de seguridad que se deben respetar para evitar poner en peligro su seguridad personal y/o material y la de otras personas. Lea y siga todas las instrucciones de este manual antes de poner en funcionamiento esta máquina. Si no respeta estas instrucciones puede provocar lesiones personales. Cuando vea este símbolo. **¡TENGA EN CUENTAS LAS ADVERTENCIAS!**

## PROPOSICIÓN 65 DE CALIFORNIA



**ADVERTENCIA:** El escape del motor de este producto, algunos de sus componentes y algunos componentes del vehículo contienen o liberan sustancias químicas que el estado de California considera que pueden producir cáncer, defectos de nacimiento u otros problemas reproductivos.



**ADVERTENCIA:** Los bornes de la batería y los accesorios afines contienen plomo y compuestos de plomo, sustancias químicas que según lo establecido por el Estado de California causan cáncer y daños en el sistema reproductivo. *Lávese las manos después de estar en contacto con estos componentes.*



**PELIGRO:** Esta máquina está diseñada para ser utilizada respetando las normas de seguridad contenidas en este manual. Al igual que con cualquier tipo de equipo motorizado, un descuido o error por parte del operador puede producir lesiones graves. Esta máquina es capaz de amputar manos y pies y de arrojar objetos con gran fuerza. De no respetar las instrucciones de seguridad siguientes se pueden producir lesiones graves o la muerte.

## Funcionamiento general

1. Lea, entienda y cumpla todas las instrucciones incluidas en la máquina y en los manuales antes de montarla y utilizarla. Guarde este manual en un lugar seguro para consultas futuras y periódicas, así como para solicitar repuestos.
2. Familiarícese con todos los controles y con el uso adecuado de los mismos. Sepa cómo detener la máquina y desactivar los controles rápidamente.
3. No permita nunca que los niños menores de 14 años utilicen esta máquina. Los niños de 14 años en adelante deben leer y entender las instrucciones de operación y normas de seguridad contenidas en este manual, y en la máquina y deben ser entrenados y supervisados por un adulto.
4. Nunca permita que los adultos operen esta máquina sin recibir antes la instrucción apropiada.
5. Para ayudar a evitar el contacto con las cuchillas o una lesión por algún objeto que sea arrojado, mantenga a los observadores, a los ayudantes, niños y mascotas alejados al menos 25 metros de la máquina mientras está en funcionamiento. Detenga la máquina si alguien entra en la zona.
6. Inspeccione minuciosamente el área donde utilizará el equipo. Retire todas las piedras, palos, cables, huesos, juguetes y otros objetos extraños que podrían ser recogidos y arrojados por la acción de las cuchillas. Los objetos arrojados por la máquina pueden producir lesiones graves.
7. Planifique el patrón de corte del césped que ha de seguir para evitar la descarga de material hacia los caminos, las veredas, los observadores, etc. Evite además descargar material contra las paredes y obstrucciones que podrían provocar que el material descargado rebote contra el operador.
8. Para protegerse los ojos utilice siempre anteojos o antiparras de seguridad mientras opera la máquina o mientras la ajusta o repara. Los objetos arrojados que rebotan pueden producir lesiones oculares graves.
9. Utilice zapatos de trabajo resistentes, de suela fuerte, así como pantalones y camisas ajustados. Las prendas sueltas o las alhajas pueden quedar atrapadas en las piezas móviles. Nunca opere la máquina descalzo o con sandalias.

10. Esté atento a la cortadora y a la dirección de la descarga de los aditamentos y no apunte a nadie. Nunca opere la cortadora de césped sin que estén en su lugar apropiado la cubierta de descarga o el colector de recortes de césped.
11. No ponga las manos o los pies cerca de las piezas rotatorias o debajo de la plataforma de corte. El contacto con las cuchillas puede producir la amputación de manos y pies.
12. Una cubierta de descarga faltante o dañada puede provocar el contacto con la cuchilla o lesiones por objetos arrojados.
13. Detenga la(s) cuchilla(s) cuando atraviere senderos, sendas o caminos de grava y cuando no esté cortando el césped.
14. Vigile el tránsito vehicular cuando esté operando cerca de o en cruces de caminos. Esta máquina no debe utilizarse en la vía pública.
15. No opere esta máquina bajo los efectos del alcohol o de drogas.
16. Corte el césped solamente con luz de día o con una buena luz artificial.
17. Nunca transporte pasajeros.
18. Desenganche la(s) cuchilla(s) antes de colocar la marcha atrás. Retroceda lentamente. Siempre mire hacia abajo y hacia atrás antes y mientras retrocede, para evitar accidentes.
19. Reduzca la velocidad antes de dar la vuelta. Opere la máquina suavemente. Evite la operación errática y la velocidad excesiva.
20. Desenganche la(s) cuchilla(s), coloque el freno de estacionamiento, detenga el motor y espere hasta que la(s) cuchilla(s) se detenga(n) por completo antes de retirar el colector de césped, vaciar los recortes, destapar el canal, retirar restos de césped o desechos, o hacer cualquier ajuste.
21. Nunca deje la máquina en funcionamiento sin vigilancia. Apague siempre las cuchillas, coloque la transmisión en neutral, coloque el freno de mano, detenga el motor y retire la llave antes de bajarse del vehículo.
22. Tenga sumo cuidado al cargar o descargar la máquina en un remolque o camión. Esta unidad no debe conducirse en ascenso o descenso de rampas, porque podría ladearse y provocar lesiones personales graves. En las rampas la máquina se debe empujar manualmente para cargarla o descargarla correctamente.
23. El silenciador y el motor se calientan y pueden causar quemaduras. No los toque.
24. Revise el espacio libre por encima de la cabeza antes de conducir bajo las ramas bajas de árboles, cables, cerramientos de puertas, etc. en los cuales el operador podría atorarse o ser empujado fuera de la máquina, lo que podría resultar en lesiones graves.
25. Desenganche todos los embragues de los accesorios, presione totalmente el pedal del freno y cambie a neutral antes de intentar arrancar el motor.
26. La máquina está diseñada para cortar césped residencial normal, con una altura no mayor a 10". No intente cortar césped demasiado crecido, seco (por ej., pastura) ni pilas de hojas secas. El césped y las hojas secas pueden entrar en contacto con el escape del motor y/o acumularse en la plataforma de la cortadora de césped, convirtiéndose en un peligro de incendio.
27. Utilice solamente accesorios y aditamentos aprobados para esta máquina por el fabricante de la misma. Lea, comprenda y siga todas las instrucciones proporcionadas con los accesorios o aditamentos aprobados.

28. Los datos estadísticos muestran que los operadores de 60 años y mayores se ven involucrados en un alto porcentaje de lesiones relacionadas con tractores corta césped. Estos operadores deben evaluar su capacidad para operar el tractor corta césped en forma suficientemente segura para protegerse a ellos mismos y a los demás contra lesiones graves.
29. Si se presentan situaciones que no están previstas en este manual, sea cuidadoso y use el sentido común. Si necesita ayuda, póngase en contacto con su representante de asistencia al cliente.

### **Funcionamiento en pendientes**

Las pendientes son un factor importante relacionado con accidentes por derrape y vuelcos que pueden producir lesiones graves e incluso la muerte. La operación en pendientes requiere mayor precaución. Si no puede retroceder en la pendiente o si no se siente seguro, no realice ninguna operación de corte. Para su seguridad, use el indicador de pendientes que se incluye como parte de este manual para medir la pendiente antes de operar la máquina en una zona inclinada. Si la pendiente es mayor de 15 grados según el medidor, no opere esta máquina en ese sector, pues podría causar lesiones graves.

### **Haga lo siguiente:**

1. Pude hacia arriba y abajo de las pendientes, no de forma transversal. Tenga cuidado cuando cambie de dirección al operar en pendiente.
2. Esté atento a los hoyos, surcos, baches, rocas, u otros objetos ocultos. El terreno desnivelado puede voltear la máquina. El césped alto puede ocultar obstáculos.
3. Vaya a baja velocidad. Elija una velocidad lo suficientemente baja, de modo que no tenga que detenerse o hacer cambios mientras está sobre la pendiente. Los neumáticos podrían perder tracción sobre las pendientes aún cuando los frenos funcionaran apropiadamente. Siempre mantenga la máquina en cambio mientras desciende las pendientes, para poder frenar con el motor.
4. Siga las recomendaciones del fabricante para los pesos o contrapesos de las ruedas, para mejorar la estabilidad de la máquina.
5. Tenga especial cuidado con los colectores de césped u otros aditamentos. Los mismos pueden modificar la estabilidad de la máquina.
6. Haga que todos los movimientos en las pendientes sean lentos y graduales. No cambie repentinamente la velocidad ni la dirección. Un frenado o cambio de velocidad repentinos pueden causar que el frente de la máquina se levante y dé una voltereta hacia atrás, lo que podría producir lesiones graves.
7. Evite arrancar o detenerse en una pendiente. Si los neumáticos pierden la tracción, desenganche las cuchillas y descienda lentamente la pendiente.

### **No haga lo siguiente:**

1. No gire sobre las pendientes a menos que sea necesario. Si es posible, gire lentamente y gradualmente durante el descenso.
2. No corte el césped cerca de pozos, hundimientos o terraplenes. La cortadora de césped puede volcarse repentinamente si una de las ruedas está sobre el borde de un acantilado, zanja o si un borde se desmorona.
3. No intente estabilizar la máquina poniendo el pie en el suelo.
4. No utilice un colector de césped en pendientes empinadas.
5. No pade el césped húmedo. Una menor tracción podría causar derrapes.

6. No cambie a transmisión neutral para descender. El exceso de velocidad puede hacer que el operador pierda el control de la máquina, ocasionando lesiones graves e incluso la muerte.
7. No remolque cargas pesadas detrás de los aditamentos (carrito de basura cargado, podadora de rodillos, etc) en pendientes mayores de 5 grados. Cuando se desplaza pendiente abajo, el peso adicional tiende a empujar el tractor y puede hacer que se pierda el control del mismo (por ejemplo, el tractor se puede acelerar, se reduce la capacidad para frenar y maniobrar, los accesorios pueden plegarse como un cortaplumas y hacer que el tractor vuelque).

## Niños

1. Pueden ocurrir accidentes trágicos si el operador no está atento a la presencia de niños. Por lo general, los niños se sienten atraídos por este tipo de máquinas y su funcionamiento. No entienden los riesgos ni los peligros. Nunca asuma que los niños permanecerán en el mismo lugar donde los vio por última vez.
  - a. Mantenga a los niños fuera del área de trabajo y bajo estricta vigilancia de un adulto responsable además del propio operador.
  - b. Esté alerta y apague la máquina si un niño ingresa al área.
  - c. Antes y mientras está retrocediendo, mire hacia atrás y cuide que no haya niños.
  - d. Nunca transporte niños, aún con la cuchilla apagada. Podrían caerse y resultar severamente heridos o interferir con la operación segura de la máquina.
  - e. Tenga extrema precaución cuando se aproxime a esquinas ciegas, portales, arbustos, árboles u otros objetos que puedan impedirle ver a un niño que se cruce en el recorrido de la máquina.
  - f. **Para evitar accidentes al operar en marcha atrás, siempre desenganche las cuchillas antes de colocar marcha atrás. Si está instalado, el “Modo Precaución Marcha Atrás” no debe utilizarse cuando hay niños u otras personas presentes.**
  - g. Mantenga a los niños alejados de los motores en marcha o calientes. Pueden sufrir quemaduras con un silenciador caliente.
  - h. Retire la llave cuando deje la máquina sin vigilancia, evite que una persona sin autorización la maneje.
2. No permita nunca que los niños menores de 14 años utilicen esta máquina. Los niños de 14 años en adelante deben leer y entender las instrucciones de operación y normas de seguridad contenidas en este manual, y en la máquina y deben ser entrenados y supervisados por un adulto.

## Remolque

1. Remolque únicamente con una máquina que cuente con un enganche diseñado para remolcar. No acople equipo remolcado excepto en el punto de enganche.
2. Siga las recomendaciones del fabricante en lo que respecta a los límites de peso de los equipos a remolcar y al remolque en pendientes.
3. Nunca permita la presencia de niños u otras personas dentro o sobre los equipos remolcados.
4. En las pendientes, el peso del equipo remolcado puede causar pérdida de tracción y pérdida de control de la máquina.
5. Desplácese lentamente y deje distancia adicional para frenado.
6. No cambie a transmisión neutral para descender.

## Servicio

### Manejo seguro de la gasolina:

1. Para evitar lesiones personales o daños materiales sea sumamente cuidadoso al manipular la gasolina. **La gasolina es sumamente inflamable y sus vapores pueden causar explosiones.** Se puede lesionar gravemente si derrama gasolina sobre usted o sobre la ropa, ya que ésta se puede incendiar. Lávese la piel y cámbiese de ropa de inmediato.
  - a. Utilice sólo los recipientes para gasolina autorizados.
  - b. Nunca llene los recipientes en el interior de un vehículo o camión o caja de remolque con recubrimiento plástico. Coloque siempre los recipientes en el piso y lejos del vehículo antes de realizar la carga.
  - c. Cuando sea factible, retire el equipo a gasolina del camión o remolque y llénelo en el suelo. Si esto no es posible, llene el equipo en un remolque con un contenedor portátil, en vez de hacerlo con una boquilla dispensadora de gasolina.
  - d. Mantenga la boquilla de llenado en contacto con el borde del depósito de combustible o con la abertura del recipiente en todo momento, hasta terminar la carga. No utilice un dispositivo de boquilla de apertura/cierre.
  - e. Apague todos los cigarrillos, cigarros, pipas y otras fuentes de combustión.
  - f. Nunca cargue combustible en la máquina en un espacio cerrado.
  - g. Nunca saque la tapa del combustible ni agregue combustible mientras el motor está caliente o en marcha. Deje que el motor se enfríe por lo menos dos minutos antes de volver a cargar combustible.
  - h. Nunca llene en exceso el depósito de combustible. Llene el tanque no más de ½ pulgada por debajo de la base del cuello del tapón de carga, para dejar espacio para la expansión del combustible.
  - i. Vuelva a colocar la tapa de la gasolina y ajústela bien.
  - j. Limpie el combustible que se haya derramado sobre el motor y el equipo. Traslade la máquina a otra zona. Espere 5 minutos antes de encender el motor.
  - k. Para reducir el riesgo de incendio, mantenga la máquina limpia de pasto, hojas y de acumulación de otros residuos. Limpie los derrames de aceite o combustible y saque todos los residuos embebidos de combustible.
  - l. Nunca guarde la máquina o el recipiente de combustible en un espacio cerrado donde haya fuego, chispas o luz piloto, como por ejemplo de calentadores de agua, calefactores de ambientes, hornos, secadores de ropa u otros aparatos a gas.
  - m. Deje que la máquina se enfríe cinco minutos por lo menos antes de guardarla.

### Servicio general

1. Nunca encienda el motor en espacios cerrados o en una zona con poca ventilación. El escape del motor contiene monóxido de carbono, un gas inodoro y letal.

2. Antes de limpiar, reparar o inspeccionar la máquina, compruebe que la(s) cuchilla(s) y todas las partes en movimiento se hayan detenido. Desconecte el cable de la bujía y póngalo haciendo masa contra el motor para evitar que se encienda accidentalmente.
3. Revise periódicamente para asegurarse que las cuchillas se detengan por completo en aproximadamente cinco (5) segundos después de accionar el control de desenganche de la(s) cuchilla(s). Si las cuchillas no se detienen dentro de este lapso de tiempo, su unidad deberá ser reparada por su distribuidor de servicio autorizado MTD.
4. Revise con frecuencia el funcionamiento del sistema de frenos ya que está sujeto a desgaste por la operación normal. Ajuste y efectúe mantenimiento según se requiera.
5. Revise los pernos de montaje de la(s) cuchilla(s) y del motor a intervalos frecuentes para verificar que estén bien apretados. Además, inspeccione visualmente la(s) cuchilla(s) en busca de daños (por ejemplo, desgaste excesivo, abolladuras, rajaduras, etc.). Reemplace la(s) cuchilla(s) únicamente con las cuchillas de fabricantes de equipos originales (O.E.M.) listadas en este manual. "El uso de piezas que no cumplen con las especificaciones del equipo original podría tener como resultado un rendimiento incorrecto y además poner en riesgo la seguridad".
6. Las cuchillas de las podadoras son muy afiladas. Envuelva la cuchilla o utilice guantes y exteme las precauciones cuando efectúe mantenimiento.
7. Mantenga todos los pernos, tuercas y tornillos bien ajustados para asegurarse de que la máquina se encuentra en condiciones seguras de operación.
8. Nunca altere el sistema de enclavamiento de seguridad ni otros mecanismos de seguridad. Controle periódicamente que funcionen correctamente.
9. Después de golpear con algún objeto extraño, detenga el motor, desconecte el cable de la bujía y conecte el motor a masa. Inspeccione minuciosamente la máquina para ver si está dañada. Repare el daño antes de arrancar y utilizar la máquina.
10. Nunca trate de hacer ajustes o reparaciones a la máquina mientras el motor está en marcha.
11. Los componentes del colector de césped y la cubierta de descarga, están sujetos a desgaste y daños que podrían dejar expuestas partes en movimiento o permitir que se arrojen objetos. Para proteger su seguridad, verifique frecuentemente todos los componentes y reemplácelos inmediatamente sólo con piezas de los fabricantes del equipo original, listados en este manual. "El uso de piezas que no cumplen con las especificaciones del equipo original podría tener como resultado un rendimiento incorrecto y además poner en riesgo la seguridad".
12. No cambie la configuración del regulador del motor ni lo opere a sobrevelocidad. El regulador del motor controla la velocidad máxima segura de funcionamiento del motor.
13. Mantenga o reemplace las etiquetas de seguridad e instrucciones según sea necesario.
14. Respete las normas referentes a la disposición correcta y las reglamentaciones sobre gasolina, aceite, etc. para proteger el medio ambiente.

15. Según la Comisión de Seguridad de Productos para el Consumidor de los Estados Unidos (CPSC) y la Agencia de Protección Ambiental de los Estados Unidos (EPA), este producto tiene una *vida útil media* de siete (7) años, ó 270 horas de funcionamiento. Al finalizar la *vida útil media*, adquiera una máquina nueva o haga inspeccionar anualmente ésta por un distribuidor de servicio autorizado para cerciorarse de que todos los sistemas mecánicos y de seguridad funcionan correctamente y no tienen excesivo desgaste. Si no lo hace, pueden producirse accidentes, lesiones o muerte.

## No modifique el motor

Para evitar lesiones graves o la muerte, no modifique el motor bajo ninguna circunstancia. Si cambia la configuración del regulador del motor el motor puede descontrolarse y operar a velocidades inseguras. Nunca cambie la configuración de fábrica del regulador del motor.

## Aviso referido a emisiones

Los motores que están certificados y cumplen con las regulaciones de emisiones federales EPA y de California para SORE (Equipos pequeños todo terreno) están certificados para operar con gasolina común sin plomo y pueden incluir los siguientes sistemas de control de emisiones: Modificación de motor (EM) y catalizador de tres vías (TWC) si están equipados de esa manera.

## Guardachispas



**ADVERTENCIA:** Esta máquina está equipada con un motor de combustión interna y no debe ser utilizada en un terreno agreste cubierto por bosque, malezas o hierba ni cerca del mismo excepto que el sistema de escape del motor esté equipado con un amortiguador de chispas que cumpla con las leyes locales o estatales correspondientes (si las hay).

Si se utiliza un amortiguador de chispas el operador lo debe mantener en condiciones de uso adecuadas. En el Estado de California las medidas anteriormente mencionadas son exigidas por ley (Artículo 4442 del Código de Recursos Públicos de California). Es posible que existan leyes similares en otros estados. Las leyes federales se aplican en territorios federales. Puede conseguir el amortiguador de chispas para el silenciador a través de su distribuidor de mantenimiento de motores autorizado más cercano o poniéndose en contacto con el departamento de servicios, Apartado Postal 361131 Cleveland, Ohio 44136-0019.





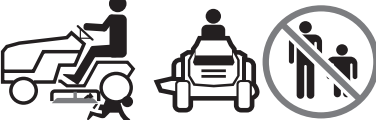








**ADVERTENCIA:** Su responsabilidad—Restrinja el uso de esta máquina motorizada a las personas que lean, comprendan y respeten las advertencias e instrucciones que figuran en este manual y en la máquina.

**GUARDE ESTAS INSTRUCCIONES**

## Símbolos De Seguridad

Esta página representa y describe la seguridad los símbolos que pueden parecer en este producto. Lea, comprenda, y siga todas instrucciones de la máquina antes de intentar ensamblar y operar.

Symbol	Description
	LEA EL MANUAL(S) DEL OPERADOR leído, entienda, y siga todas las instrucciones en el manual(s) antes de procurar montar y funcionar
	PELIGRO - GIRANDO HOJAS Nunca lleve pasajeros. Nunca transporte niños, aún con la cuchilla apagada.
	PELIGRO - GIRANDO HOJAS Mire siempre hacia abajo y hacia atrás antes y mientras retrocede, para evitar accidentes en off.
	PELIGRO - GIRANDO HOJAS No ponga las manos o los pies cerca de las piezas giratorias o debajo de la plataforma de corte. Póngase en contacto con la hoja (s) puede producir la amputación de manos y pies. Asegúrese de que los álabes y el motor se detiene antes de colocar las manos o los pies cerca de las cuchillas.
	PELIGRO - ESPECTADORES No se recomienda cortar el césped a la inversa. No corte el césped cuando los niños u otras personas presentes. Mantenga a los espectadores, a los ayudantes, niños y mascotas alejados al menos 75 metros de la máquina mientras está en funcionamiento.
	PELIGRO - LANZADO OBJETOS Esta máquina puede recoger y lanzar objetos y que pueden causar lesiones personales graves. Retire los objetos que podrían ser lanzados por las cuchillas.
	PELIGRO - FUNCIONAMIENTO PENDIENTE Ir arriba y abajo de las pendientes, no a través. Tenga mucho cuidado en las pendientes. No pode pendientes mayores de 15 grados. No utilice la máquina en el que podría inclinar o deslizar. Si la máquina deja de ir cuesta arriba, deje de cuchillas y retroceder lentamente.
	PELIGRO - GIRANDO HOJAS Antes de abandonar la posición del operador, desenganche las cuchillas, ponga el freno de estacionamiento, apague el motor y retire la llave. Mantenga los dispositivos de seguridad (guardias, escudos, interruptores, etc.) en su lugar y en buenas condiciones.
	PELIGRO - SUPERFICIES CALIENTES Deje que la máquina se enfríe antes de repostar o almacenar.
	PELIGRO - SUPERFICIES CALIENTES No conduzca a través de montones de hojas secas o césped alto y seco. Mantenga la máquina limpia de escombros.
	ADVERTENCIA - SUPERFICIES CALIENTES El funcionamiento de este equipo puede crear chispas que pueden iniciar incendios alrededor de vegetación seca. El operador debe ponerse en contacto con las agencias locales de bomberos para las leyes o reglamentos relativos a requisitos de prevención de incendios

## Pendiente de Calibre

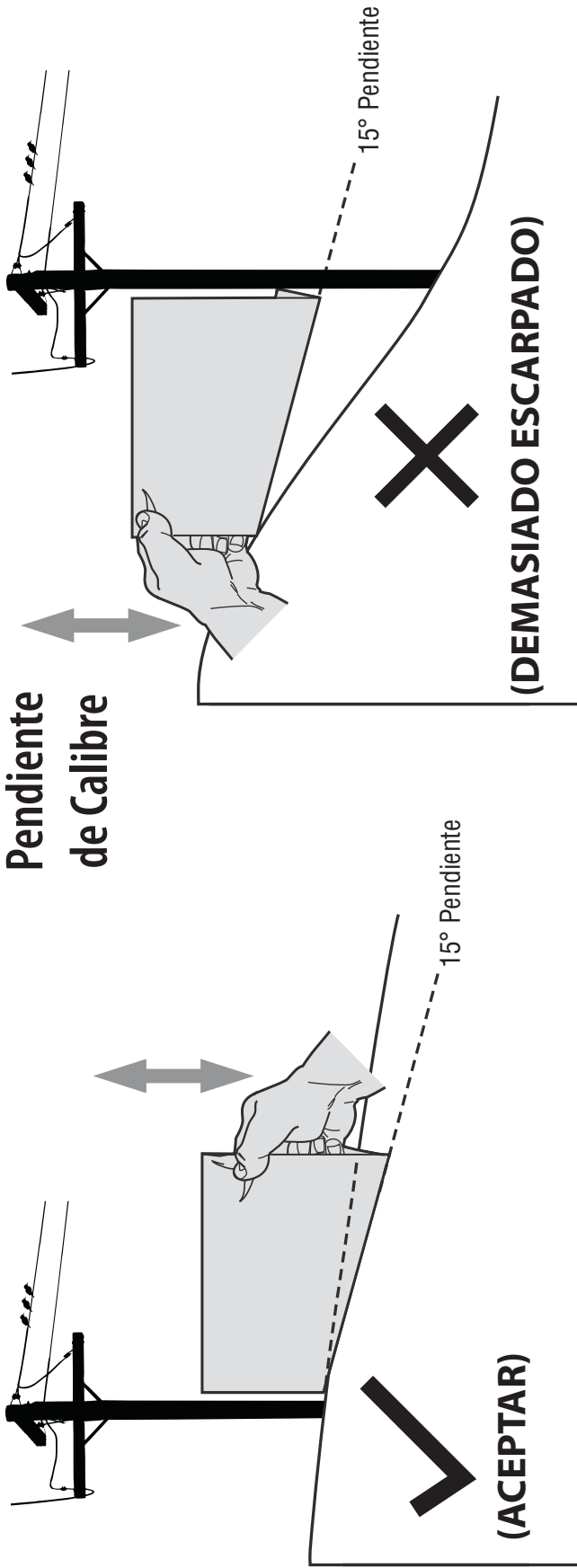


Figura 1

Figura 2

## 15° línea discontinua

### USO DE ESTE PENDIENTE DE CALIBRE PARA DETERMINAR SI UNA PENDIENTE ES DEMASIADO ESCARPADO PARA UNA OPERACIÓN SEGURA!

Para comprobar la pendiente, haga lo siguiente:

1. Borrar esta página y doble a lo largo de la línea discontinua.
2. Localizar un objeto vertical sobre o detrás de la pendiente (un poste, un edificio, una valla, un árbol, etc.)
3. Alinee cada lado de pendiente de calibre con el objeto vertical (consultar Figura 1 and Figura 2).
4. Ajuste el pendiente de calibre arriba o hacia abajo hasta los toques esquina izquierda el pendiente (consultar Figura 1 and Figura 2).
5. Si hay un espacio por debajo de la pendiente de calibre, el pendiente es demasiado escarpa por operación segura (consultar Figura 2 above).



**ADVERTENCIA!** Las pendientes son un factor importante relacionado con un vuelco y renovación de los accidentes que pueden provocar lesiones graves o la muerte. No utilice la máquina en pendientes de más de 15 grados. Todos pendientes requiere mayor precaución. Si no puede retroceder en la pendiente o si se siente inseguro en ella, no la recorte. Siempre corte el césped arriba y abajo las pendientes, nunca en toda la superficie de la cuesta.



## Configuración DEL TRACTOR

### Herramientas necesarias:

- Llave 3/8-pulgada (o una llave ajustable)
- Llave 7/16-inch (o una llave ajustable)
- llave de tubo 1/2-inch

**NOTA:** Este Manual del operador cubre una gama de especificaciones de productos de varios modelos. Las características y funciones incluidas y/o ilustradas en este manual pueden no ser aplicables a todos los modelos. MTD LLC se reserva el derecho de modificar las especificaciones de los productos, los diseños y el equipo sin previo aviso y sin generar responsabilidad por obligaciones de ningún tipo.

### Conexión de los cables de la batería



**PROPUESTA 65 de California Advertencia:** Los postes de la batería, terminales y accesorios relacionados contienen plomo y compuestos de plomo, los productos químicos conocidos en el Estado de California que causan cáncer y daños al sistema reproductor. Lávese las manos después de manipular.

**PRECAUCIÓN:** Al conectar los cables de la batería, siempre conecte el positivo (rojo) a su terminal de alambre en primer lugar, seguida de la negativa (Negro) alambre.

Por razones de envío, tanto los cables de la batería de tu equipo puede haber sido desconectado de la izquierda de las terminales en la fábrica. Para conectar los cables de la batería, haga lo siguiente:

**NOTA:** El positivo es el terminal de la batería marcada Pos.. (+). El negativo es el terminal de la batería marcada Neg. (-).

1. Quite la cubierta de plástico, si está presente, desde la terminal de la batería positivo y adjunte el cable rojo a la terminal de la batería positivo (+) con el perno y tuerca hexagonal. Ver Figura 3-1.

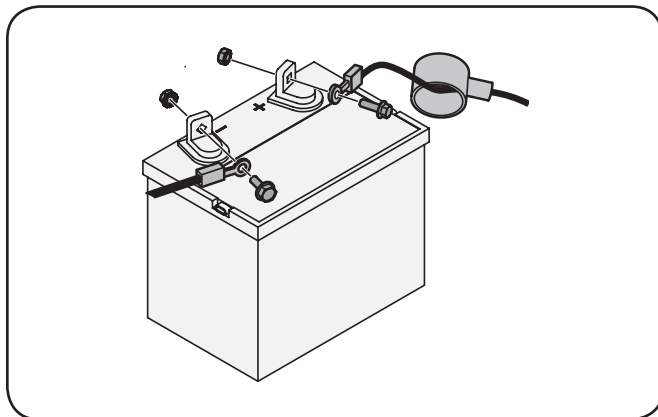


Figura 3-1

2. Quite la cubierta de plástico, si está presente, desde el borne negativo de la batería y conecte el terminal de cable negro al terminal negativo (-) con el perno y tuerca hexagonal. Ver Figura 3-1.
3. Posición de la zona roja de caucho sobre el terminal de la batería positivo para ayudar a proteger de la corrosión.

**NOTA:** Si la batería se pone en servicio después de la fecha indicada en la parte superior / lado de la batería, cargue la batería según las instrucciones en la sección Mantenimiento de su Manual de instrucciones antes de operar el tractor.

### Extracción de la traba de seguridad utilizada en el envío



**¡ADVERTENCIA!** Asegúrese de que el motor del tractor corta césped esté apagado, quite la llave de encendido y coloque el freno de mano antes de retirar la traba de seguridad utilizada en el envío. Consulte la sección Controles y características para obtener instrucciones sobre la forma de colocar el freno de mano.

- Localice la traba de seguridad utilizada en el envío, en caso de haber, y la etiqueta de advertencia respectiva del lado derecho de la cortadora de césped, entre el canal de descarga y la plataforma de corte. Vea la Figura 3-2.

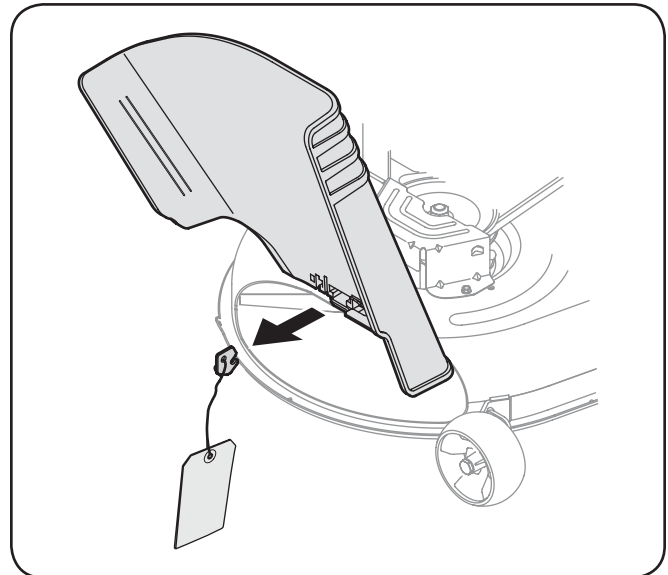


Figura 3-2

- Coloque la palanca de elevación de la plataforma en la posición de corte más alta. Consulte Ajuste de la altura de corte en la sección Funcionamiento de este manual.
- Mientras empuja el canal de descarga hacia la máquina con su mano izquierda, extraiga con la mano derecha la traba de seguridad utilizada en el envío, sujetándola entre sus dedos pulgar e índice y rotándola en el sentido de las agujas del reloj.



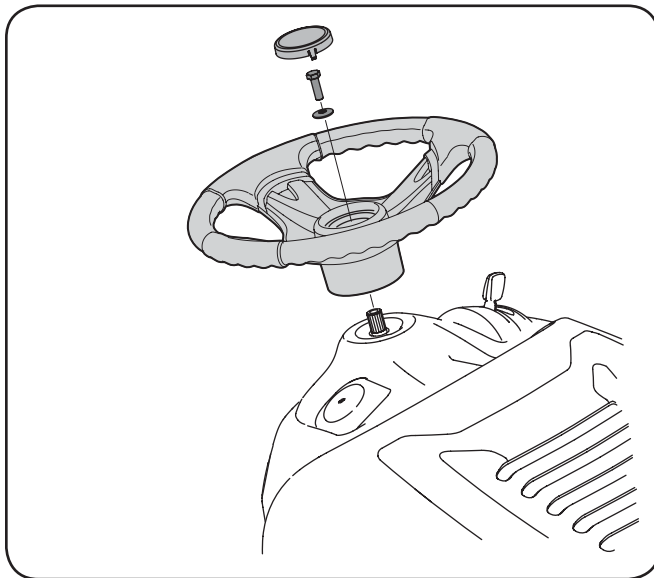
**¡ADVERTENCIA!** La traba de seguridad utilizada en el envío sólo a los efectos de un correcto embalaje, se debe retirar y desechar antes de operar su cortadora de césped.

**¡ADVERTENCIA!** La plataforma de la cortadora de césped puede arrojar objetos. En caso de operar la cortadora de césped sin colocar la cubierta de descarga en la posición adecuada para el funcionamiento, podrían producirse graves lesiones personales y/o daños materiales.

### Instalación del volante

Si el volante del tractor no se envía instalado, debajo de la tapa del volante, dentro del mismo, se entregan embalados los elementos de ferretería para su instalación. Extraiga con cuidado el casquete del volante mediante palanca y retire los elementos de ferretería.

1. Con las ruedas del tractor mirando hacia adelante, coloque el volante sobre el árbol de dirección.
2. Coloque la arandela (con el lado esférico hacia abajo) por encima del volante y ajústela con el perno hexagonal. Vea la Figura 3-3.



**Figura 3-3**

3. Coloque el casquete del volante en el centro del volante y empuje hacia abajo hasta que haga clic al encajar en su lugar.

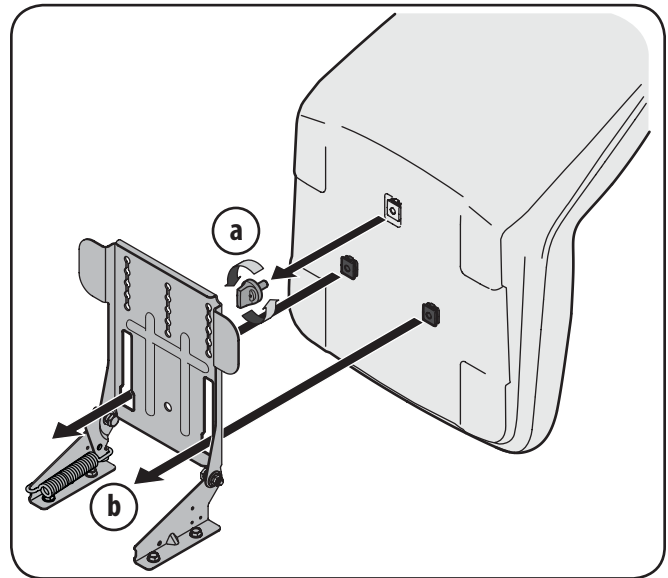
### Instalación del asiento

Los estilos de asiento varían según el modelo de tractor. Hay tres estilos disponibles:

**NOTE:** Para transportar motivos, los asientos son o sujetos al soporte de pivote del asiento de tractor con un lazo plástico, o montados hacia atrás al soporte de pivote. En el uno o el otro caso, libere el asiento de su posición de embarque y quite la perilla de ajuste del fondo de asiento antes de seguir con las instrucciones abajo.

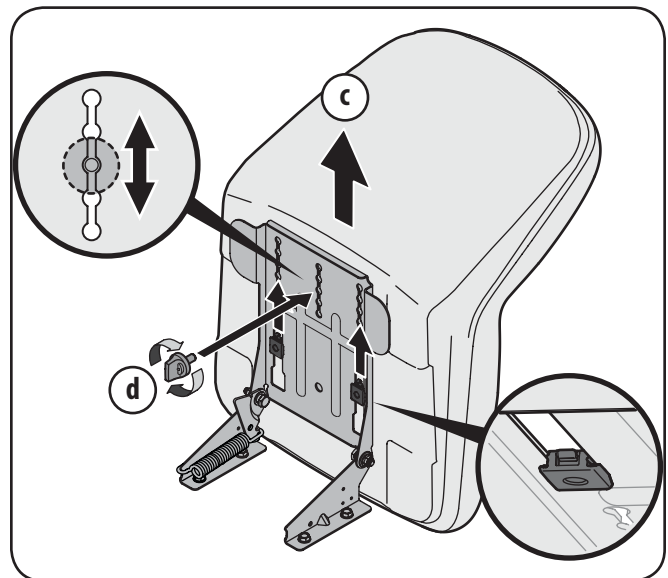
1. Como ya se ha indicado, quitar la perilla de ajuste de asiento instalado en la fábrica en la parte inferior del asiento. Consulte la sección "A" en la Figura 3-4.

2. Alinear el asiento sobre el soporte de pivote del asiento como se muestra en la Figura 3-4 y montar el asiento en el soporte de pivote insertando las dos lengüetas de la parte inferior del asiento en las ranuras de la ménsula de pivote.
3. Deslice el asiento hacia atrás en el soporte de pivote del asiento, alineando la ranura central trasera en el soporte de pivote con el agujero que queda en la base del asiento.
4. Seleccione la posición deseada para el asiento y fíjelo con el tornillo de ajuste quitó antes.



**Figura 3-4**

5. Para ajustar la posición del asiento, retire la perilla de ajuste en la parte inferior del asiento. Deslice el asiento hacia adelante o hacia atrás según se desee. Vuelva a instalar el tornillo de ajuste. Vea la Figura 3-5.



**Figura 3-5**

## Presión de los neumáticos



**¡ADVERTENCIA!** La presión máxima de los neumáticos en cualquier circunstancia es de 30 psi. Se debe mantener una presión uniforme para todos los neumáticos en todo momento. Nunca exceda la presión máxima de inflado que se indica en los laterales de los neumáticos.

La presión operativa recomendada para los neumáticos es:

- Aproximadamente 10 psi para los neumáticos traseros
- Aproximadamente 14 psi para los neumáticos delanteros

**¡IMPORTANTE:** Consulte los laterales de los neumáticos para conocer con exactitud la presión máxima en psi recomendada por el fabricante. No los infle en exceso. Una presión de neumáticos despareja podría hacer que la plataforma corte el césped en forma desigual.

**NOTA:** la gasolina de compra en pequeñas cantidades. No utilice gasolina sobrante de la campaña anterior, para minimizar los depósitos de goma en el sistema de combustible.

- Este motor está certificado para funcionar con gasolina sin plomo. Para obtener los mejores resultados, llene el tanque de combustible con sólo gasolina limpia, fresca y sin plomo con un octanos de 87 o superior.
- Gasohol (hasta alcohol etílico al 10%, 90% de gasolina sin plomo por volumen) es un combustible homologado. gasolina Otras mezclas de alcohol, tales como E85, no han sido aprobados.
- El metil ter-butil-éter (MTBE) y las mezclas de gasolina sin plomo (hasta un máximo del 15% de MTBE por volumen) se aprueban los combustibles. Otras mezclas de gasolina / éter no están aprobados.
- Llene el tanque de combustible al aire libre o en un área bien ventilada.
- No llene demasiado el tanque de combustible. Llene el tanque no pulgada más de 1 / 2 debajo de la base del cuello de llenado para dejar espacio para la expansión del combustible.
- Nunca quite la tapa de gasolina o agregue combustible mientras el motor está caliente o en marcha. Deje que el motor se enfríe por lo menos dos minutos antes de repostar.
- El combustible que se derrama, limpie el motor y el equipo. Mueva la máquina a otra área. Espere 5 minutos antes de arrancar el motor.

## Llenado de gasolina y aceite

El tanque de gasolina está ubicado debajo del capó y posee una capacidad de 1-1/2 galones. No lo llene en exceso.



**¡ADVERTENCIA!** Tenga mucho cuidado al trabajar con gasolina. La gasolina es sumamente inflamable y sus vapores pueden causar explosiones. Nunca cargue combustible en la máquina en un espacio cerrado o cuando el motor está caliente o en marcha. Apague cigarrillos, cigarras, pipas y otras fuentes de combustión.

Realice la carga de gasolina y aceite del motor según las instrucciones del Manual del propietario/ operador del motor que se entrega con el tractor. Lea las instrucciones con atención.

**¡IMPORTANTE:** Su tractor se envía con aceite en el motor. Sin embargo, usted **DEBE controlar el nivel de aceite antes de hacerlo funcionar.** Tenga cuidado de no llenar en exceso.

### Para agregar gasolina

1. Apague el motor y deje que el motor se enfríe por lo menos 2 minutos antes de remover la tapa del combustible. El tanque de gasolina se encuentra debajo del capó. Retire la tapa del combustible girando hacia la izquierda.
2. Llene el tanque de combustible con gasolina. Utilice sólo limpia y fresca (no más de 30 días de edad), la gasolina sin plomo. Llene el tanque hasta la base del cuello de llenado para dejar espacio para la expansión del combustible. No sobrecargue el tanque con combustible.
3. Vuelva a colocar la tapa del combustible.

**¡IMPORTANTE:** No llene demasiado el tanque. Llene el tanque no pulgada más de 1 / 2 debajo de la base del cuello de llenado para dejar espacio para la expansión del combustible. No sobrecargue el tanque con combustible. Véase la Figura 3-6.

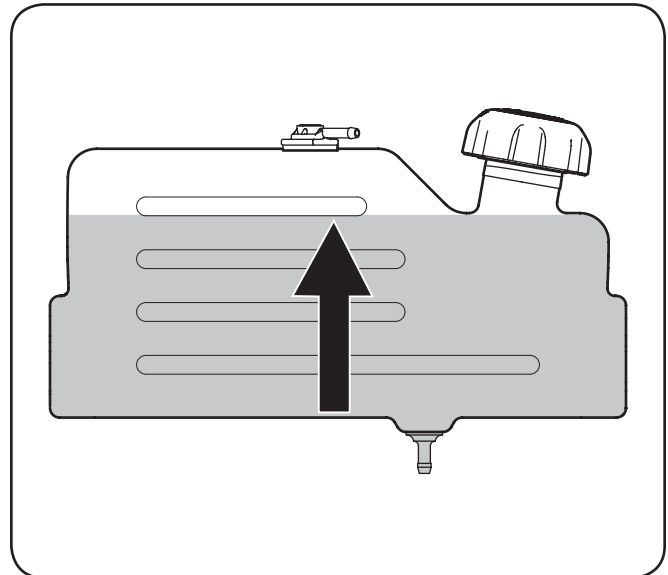


Figura 3-6

## Ajuste de las ruedas de calibración de la plataforma

Mueva el tractor a una superficie firme y nivelada, preferentemente sobre el pavimento, y realice lo siguiente.

1. Seleccione la posición de altura de la plataforma de corte colocando la palanca de elevación de la plataforma en el ajuste de altura de corte deseado en situación normal (*cualquiera de las seis muescas de altura de corte del lado derecho del guardabarros*).
2. Controle si las ruedas de calibración están en contacto con la superficie de abajo o si hay excesiva separación. Debe haber una separación de entre 1/4 pulgada y 1/2 pulgada entre las ruedas de calibración y el suelo, según se indica a continuación:

Si las ruedas de calibración tienen excesiva separación respecto del suelo o están en contacto con el mismo, ajuste del siguiente modo:

- a. Levante la manija de elevación de la plataforma hasta el punto más alto.
- b. Extraiga las ruedas de calibración retirando las tuercas de sujeción y los tornillos con reborde que las ajustan a la plataforma. Vea la Figura 3-7.

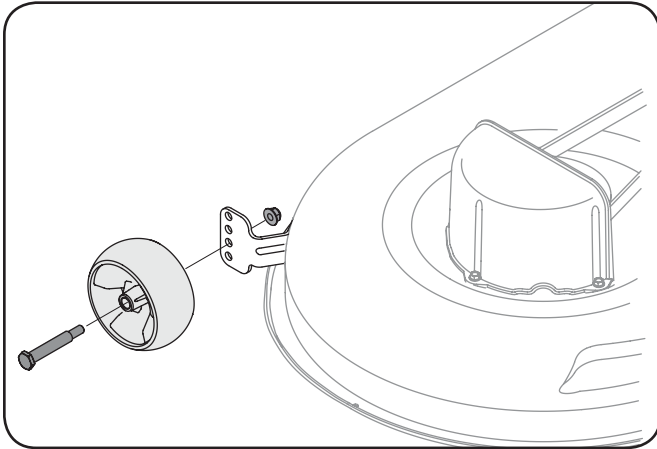


Figura 3-7

- c. Coloque la palanca de elevación de la plataforma en el ajuste de altura de corte deseado.
- d. Vuelva a insertar el tornillo con reborde (con cada rueda de calibración) dentro del orificio de posicionamiento que deja aproximadamente 1/2 pulgada entre la parte inferior de la rueda y el pavimento.

Consulte la sección **Nivelación de la plataforma** en la sección Mantenimiento de este manual para obtener instrucciones detalladas sobre diferentes ajustes de la plataforma.

## Colocación de la cucharada (Si está equipado)

En algunos tractores, una cucharada de la capilla se puede incluir. Si la toma de aire no se ha instalado en el capó de su tractor en la fábrica, consulte los siguientes pasos para instalar la toma de aire ahora:

1. Retire los cuatro tornillos previamente instalados en la toma de aire y retener para el Paso 2.
2. Instale la toma de aire sobre el capó del tractor y obtener de la parte de abajo con los cuatro tornillos que quitó antes. Vea la Figure 3-8.

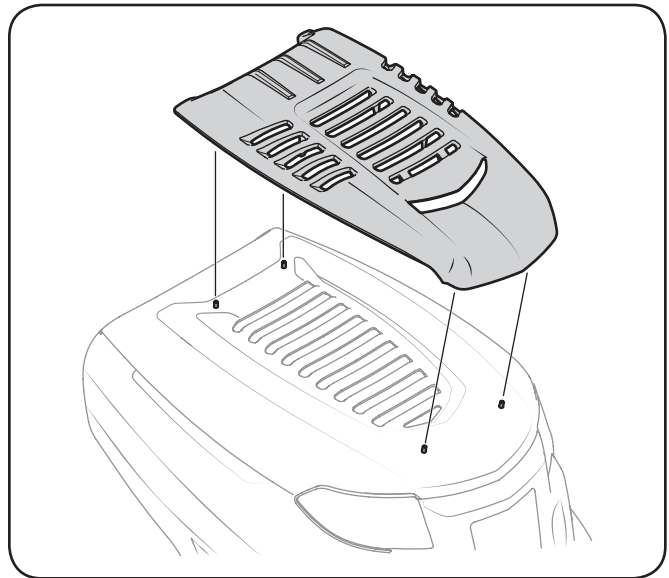


Figure 3-8

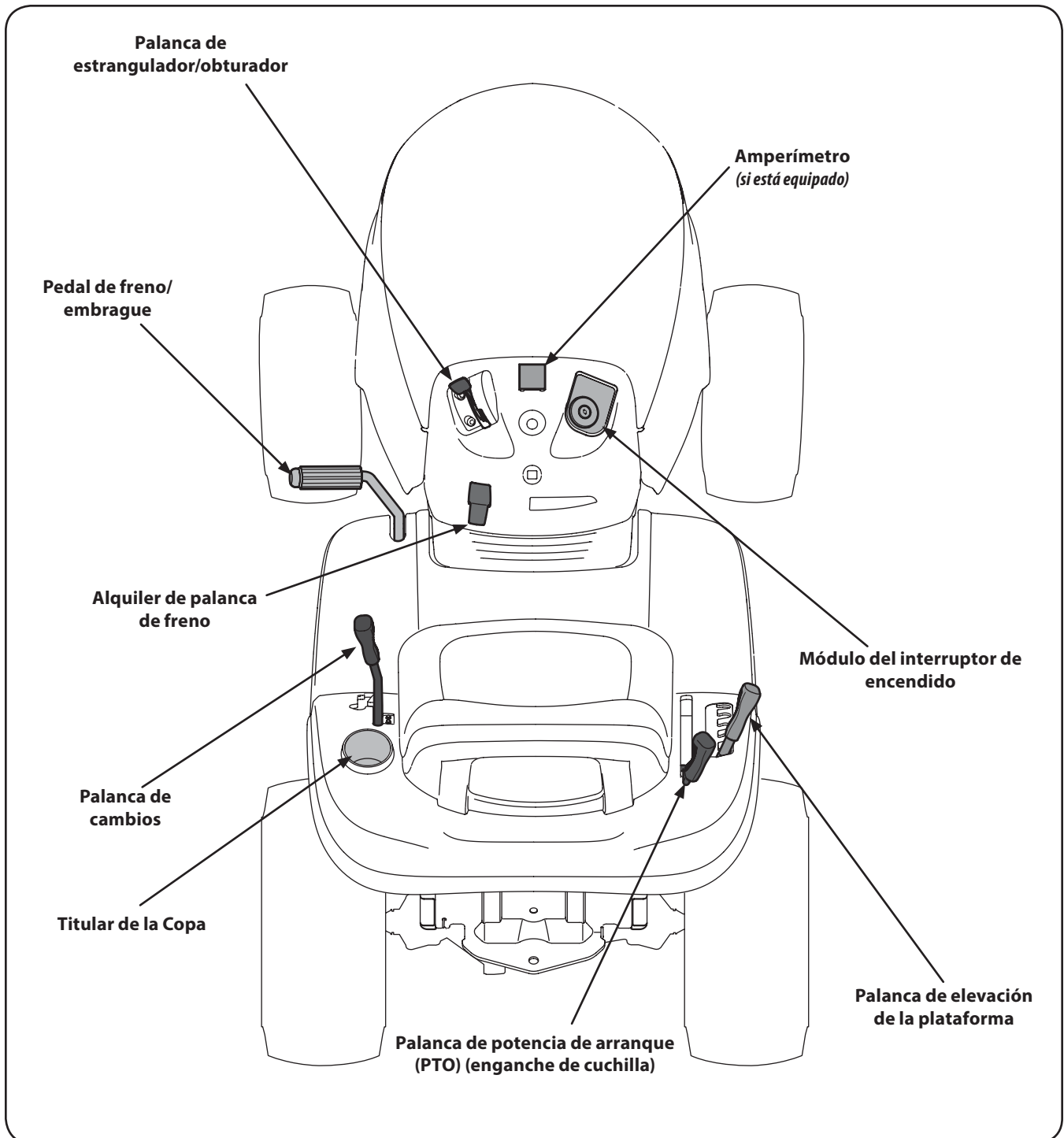


Figura 4-1

Los controles y características del tractor corta césped se ilustran en la Figura 4-1 y se describen en las páginas siguientes.



¡ADVERTENCIA! Lea y respete todas las normas de seguridad y las instrucciones de este manual, incluida la sección Funcionamiento en su totalidad, antes de intentar operar esta máquina. Si no respeta todas las normas de seguridad y las instrucciones puede provocar lesiones personales.

## PALANCA DE CONTROL DEL REGULADOR

La palanca de control del estrangulador está ubicada del lado derecho del tablero de instrumentos del tractor. Esta palanca controla la velocidad del motor y, en algunos modelos, cuando se la empuja totalmente hacia adelante, también controla el obturador. Cuando se lo coloca en una posición determinada, el regulador mantiene una velocidad de motor uniforme.

**IMPORTANTE:** Cuando opere el tractor con la plataforma de corte colocada, asegúrese de que la palanca del regulador esté siempre en la posición FAST (rápido; representado por una liebre).

## Control del obturador

Si se lleva la palanca del regulador totalmente hacia adelante, se activa el control del obturador del motor. Consulte Arranque del Motor en la sección Funcionamiento de este manual para ver instrucciones de arranque en detalle.

## Interruptor de encendido

Su nuevo tractor de césped tendrá uno de los siguientes modificadores de ignición. Use Figura 4-2 para identificar que conecte su máquina utiliza y siga estas instrucciones para el funcionamiento correcto.

### Llave de 3 posiciones

El interruptor de encendido se activa para arrancar el motor. Inserte la llave en el interruptor de encendido y gire en el sentido de las agujas del reloj a la posición START (arranque). Suelte la llave en la posición ON (encendido) una vez que haya arrancado el motor. Vea la Figura 4-2. El motor funcionará con los faros delanteros encendidos.

Para detener el motor, gire la llave de encendido en sentido contrario a las agujas del reloj hasta la posición OFF (apagado). Vea la Figura 4-2A.

### Módulo de interruptor de encendido

Para arrancar el motor, inserte la llave en el interruptor de encendido y gire hacia la derecha a la posición inicial. Suelte la tecla en la posición de modo de SIEGA de NORMAL una vez que el motor ha despedido. Los faros se activará en el Normal (y modos de precaución inversa).

Para parar el motor, gire la llave de encendido a la posición OFF. Véase la Figura 4-2B.



**¡ADVERTENCIA!** Nunca deje a un equipo que ejecuta sin supervisión. Siempre desconecte toma de fuerza, palanca de cambio se ponga en posición neutral, el freno de mano, apague el motor y quite la llave para evitar el arranque no deseado.

**IMPORTANTE:** antes de operar el tractor, se refieren tanto a los interruptores de enclavamiento de seguridad y arrancar el motor en la sección de Operación de este manual para instrucciones detalladas sobre el módulo de interruptor de encendido y de funcionamiento del tractor en REVERSE MODE PRECAUCIÓN.

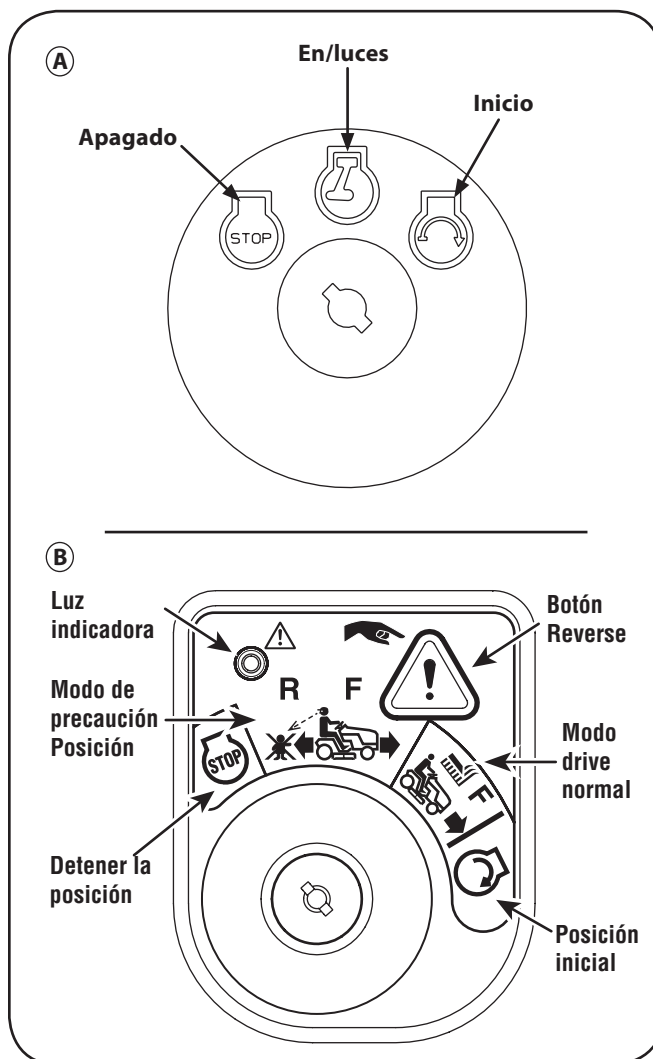


Figura 4-2

## Amperímetro (si está equipado)

El amperímetro mide la corriente eléctrica producida en amperios.

## Pedal de freno

El pedal del freno está situado en el lado izquierdo del tractor de césped, a lo largo del estribo. Presione el pedal de freno parte del camino hacia abajo para disminuir la velocidad en tierra del tractor. Presione el pedal hasta el fondo para contratar los frenos de disco y llevar el tractor a una parada completa.

**NOTA:** El pedal debe ser presionado para encender el motor. Consulte la seguridad Interruptores de enclavamiento en la Sección de Operaciones de este manual.

## Freno de estacionamiento

Para ajustar el freno de estacionamiento, suelte totalmente el pedal de freno. Mover la palanca del freno de estacionamiento en la posición ON. Suelte el pedal del freno para que el freno de estacionamiento a participar.

Para liberar el freno de mano, presione el pedal de freno y mover la palanca del freno de estacionamiento fuera de la posición ON y en la posición OFF.

**NOTA:** El freno de estacionamiento se debe establecer si el operador deja el asiento con el motor en marcha o el motor se apagará automáticamente.

## De Velocidad

La palanca de control de velocidad, situado en el guardabarros izquierdo, le permite regular la dirección de marcha y la velocidad baja del tractor del césped. Para utilizar, suelte el freno de mano y mover la palanca de control de velocidad hacia adelante (para viajar hacia adelante) o hacia atrás (para viajar a la inversa). Cuanto más hacia adelante o hacia atrás, de que la palanca se mueve, el más rápido, el vehículo de viaje. Véase la Figura 4-3.

Coloque la palanca de control de velocidad en la velocidad de corte, o más lento, cuando la posición de corte.

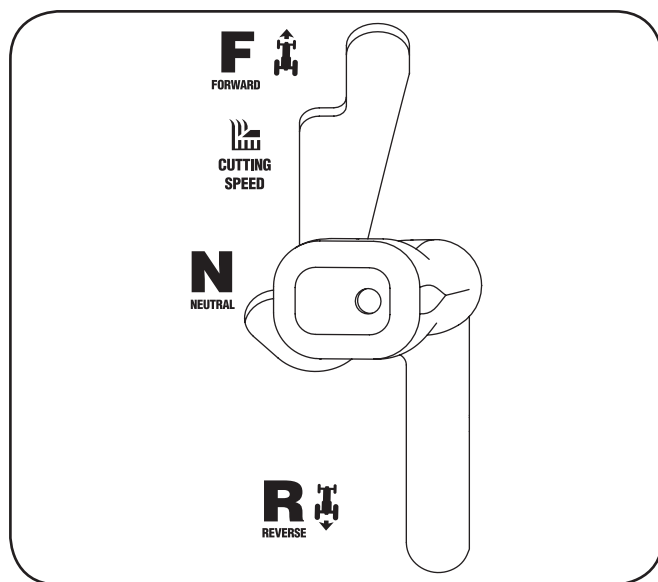


Figura 4-3

**IMPORTANTE:** NO intente cambiar la dirección de la marcha cuando el tractor esté en movimiento. Graves daños a la transmisión del tractor puede resultar. Siempre lleve el tractor a una parada completa antes de mover la palanca de control de velocidad hacia adelante a atrás o viceversa.

**IMPORTANTE:** Siempre ponga el freno de estacionamiento al salir del tractor sin vigilancia..

## Palanca de elevación de la plataforma

Ubicada en el guardabarros derecho del tractor, la palanca de elevación de la plataforma se utiliza para cambiar la altura de la plataforma de corte. Para utilizarla, mueva la palanca hacia la izquierda, luego colóquela en la muesca que mejor se adapte a la aplicación deseada.

## Palanca de potencia de arranque (PTO) (enganche de cuchilla)

Ubicada en el guardabarros derecho del tractor, la palanca de toma de fuerza (PTO) (*enganche de cuchilla*) se utiliza para dar alimentación a la plataforma de corte o a otros *aditamentos (disponibles por separado)*. Para hacerla funcionar, mueva la palanca totalmente hacia adelante. Moviendo la palanca totalmente hacia atrás, en la posición PTO OFF (potencia de arranque desconectada), se corta la energía a la plataforma de corte/aditamento.

**NOTA:** Al encender el motor, la palanca PTO (*enganche de cuchilla*) debe encontrarse en posición desconectada (OFF).



## **⚠ ADVERTENCIA**

### **PARA EVITAR LESIONES PERSONALES GRAVES O LA MUERTE**

- EN LAS PENDIENTES CONDUZCA HACIA ARRIBA Y HACIA ABAJO, NO DE FORMA TRANSVERSAL.
- EVITE MANIOBRAS DE GIRO BRUSCAS.
- NO OPERE LA UNIDAD EN ÁREAS DONDE PUEDE DERRAPAR O TROPEZAR.
- SI LA MÁQUINA DEJA DE SUBIR LA PENDIENTE, DETENGA LA(S) CUCHILLA(S) Y RETROCEDA LENTAMENTE BAJANDO LA PENDIENTE.
- MANTENGA TODOS LOS DISPOSITIVOS DE SEGURIDAD (PROTECCIONES, ESCUDOS E INTERRUPTORES, ETC.) EN SU LUGAR Y EN CORRECTO FUNCIONAMIENTO.
- RETIRE LOS OBJETOS QUE PUEDAN SER ARROJADOS POR LA(S) CUCHILLA(S) EN CUALQUIER DIRECCIÓN.
- CONOZCA LA UBICACIÓN Y FUNCIÓN DE TODOS LOS CONTROLES.
- ASEGÚRESE DE QUE LA(S) CUCHILLA(S) Y EL MOTOR SE DETENGAN ANTES DE COLOCAR LAS MANOS O LOS PIES CERCA DE LA(S) CUCHILLA(S).
- ANTES DE ABANDONAR LA POSICIÓN DEL OPERADOR, DESENGANCHE LA(S) CUCHILLA(S), COLOQUE EL FRENO DE MANO, APAGUE Y RETIRE LA LLAVE.

### **LEA EL MANUAL DEL OPERADOR**

### **Interruptores de bloqueo de seguridad**

Este tractor está equipado con un sistema de bloqueo de seguridad para protección del operador. Si el sistema de bloqueo funciona mal, no se debe hacer funcionar el tractor. Póngase en contacto con un distribuidor de servicio MTD autorizado.

- El sistema de bloqueo de seguridad impide que el motor arranque o se encienda a menos que esté colocado el freno de mano y la palanca de potencia de arranque (PTO) (*enganche de cuchilla*) esté en posición desconectada (OFF).
- Si el operador abandona su asiento antes de colocar el freno de mano, el motor se apagará automáticamente.
- El motor se apagará automáticamente si el operador abandona el asiento del tractor con la palanca de la potencia de arranque (PTO) (*enganche de cuchilla*) en la posición enganchada (ON), independientemente de que el freno de mano esté colocado o no.

### **Modelos sin modo de precaución inversa**

- El motor se apagará automáticamente si se mueve la palanca de PTO (enganche de cuchilla) en la posición de acoplamiento (ON) con la palanca de control de velocidad en reversa.

### **Modelos con modo de precaución inversa**

- Con la llave de encendido en la posición de corte NORMAL, el motor se apagará automáticamente si se mueve la palanca de PTO (enganche de cuchilla) en la posición de acoplamiento (ON) con el control de velocidad en reversa



**¡ADVERTENCIA!** No opere el tractor Si el sistema de bloqueo funciona mal. Este sistema fue diseñado para su seguridad y protección.

### **Reverse Mode Precaución**



**¡ADVERTENCIA!** Tenga mucho cuidado al operar el tractor en el modo de PRECAUCIÓN INVERSA. Siempre mirar hacia abajo y hacia atrás antes de dar marcha atrás. No haga funcionar el tractor cuando los niños u otras personas alrededor. Parar el tractor inmediatamente si alguien entra en el área.

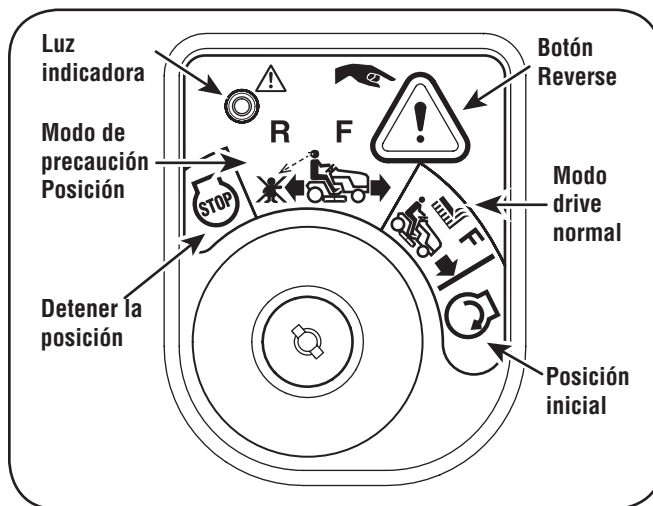
- El ATENCIÓN INVERSOR modo de posición del módulo de interruptor de llave permite que el tractor para operar en sentido inverso con las cuchillas (PTO) ha ejercido.

**IMPORTANTE:** Cortar a la inversa no es recomendable.

### **Para utilizar el modo PRECAUCIÓN REVERSO:**

**IMPORTANTE:** El operador debe estar sentado en el asiento del tractor.

1. Arranque el motor como se indica en virtud de arrancar el motor.
2. Gire la llave de la siega NORMAL (verde) la posición en el modo de PRECAUCIÓN INVERSOR (Amarillo) la posición del módulo de interruptor de llave. Véase la Figura 5-1.



**Figura 5-1**

3. Presione el botón PUSH INVERSOR (Orange, botón triangular) en la esquina superior derecha de la tecla de módulo de conmutación. La luz indicadora de color rojo en la parte superior izquierda del módulo de conmutación clave será ON mientras activado. Véase la Figura 5-1.



4. Unavez activado (indicador luminoso encendido), el tractor se pueden conducir en sentido contrario con las cuchillas de corte (PTO) ha ejercido.
5. Siempre mirar hacia abajo y hacia atrás antes de dar marcha atrás para asegurarse de que no hay niños cerca.
6. Después de reanudar el movimiento hacia adelante, devolver la llave a la posición normal de siega.

**IMPORTANTE:** El modo PRECAUCIÓN INVERSOR permanecerá activada hasta que:

- a. La clave se encuentra en la posición de la siega o posición normal STOP.
- b. El operador se compromete el freno de estacionamiento totalmente deprimiendo el pedal de freno y mantenerla presionada mientras se mueve la palanca del freno de estacionamiento en la posición de freno de estacionamiento.

## Colocación del freno de mano

Para colocar el freno de mano:

1. Presione totalmente el pedal del embrague-freno y manténgalo hacia abajo con el pie.
2. Mueva la palanca de control de velocidad totalmente hacia abajo en la posición de freno de mano.
3. Suelte el pedal del embrague-freno para permitir que el freno de mano engrane.

Para sacar el freno de mano

1. Presione el pedal de freno y mover la palanca del freno de estacionamiento fuera de la posición ON y en la posición OFF.

## Fijación de la altura de corte

1. Seleccione la posición de altura de la plataforma de corte mediante la colocación de la palanca de levantar la cubierta en cualquiera de los cinco diferentes muescas altura de corte en el lado derecho de la defensa.
2. Ajuste de las ruedas de cubierta para que se entre ¼ pulgadas y ½ pulgada por encima del suelo cuando el tractor se encuentra en una superficie lisa, plana como una entrada.



**¡ADVERTENCIA!** Mantenga las manos y pies de distancia de la abertura de descarga de la plataforma de corte.

**NOTA:** Las ruedas de la cubierta son una función anti-cuero cabelludo de la cubierta y no están diseñados para soportar el peso de la plataforma de corte.

Consulte a igualar la cubierta en la sección Mantenimiento y ajustes de este manual para instrucciones más detalladas sobre los ajustes de cubierta diferentes.

## Encendido del motor



**¡ADVERTENCIA!** No opere el tractor si el sistema de bloqueo funciona mal. El sistema fue diseñado para brindarle seguridad y protección.

**NOTA:** Consulte las instrucciones para el llenado de gasolina y aceite en la sección Montaje y configuración de este manual.

1. Inserte la llave del tractor en el interruptor de encendido.
2. Coloque la palanca de la potencia de arranque (PTO) (*enganche de cuchilla*) en la posición OFF (desconectada).
3. Coloque el freno de mano del tractor.
4. Active el control del obturador.
5. Gire la llave de encendido en el sentido de las agujas del reloj hasta la posición START (ENCENDIDO). Una vez que arranque el motor, suelte la llave. Volverá a la posición ON (*o de corte normal*).



**PRECAUCIÓN:** NO mantenga la llave en la posición START (ARRANQUE) durante más de diez segundos por vez. Si lo hace, puede ocasionar daños al arrancador eléctrico del motor.

6. Después de que arranque el motor, desactive el control del obturador y coloque el control del regulador en posición FAST (velocidad rápida).

**NOTA:** NO deje el control del obturador activado mientras opera el tractor. Si lo hace, se generará una mezcla "rica" de combustibles, lo cual hará que el motor pierda intensidad.

## Detención del motor



**¡ADVERTENCIA!** Si golpea contra algún objeto extraño, detenga el motor, desconecte el(los) cable(s) de la bujía y conecte el motor a masa. Inspeccione minuciosamente la máquina para ver si está dañada. Repare el daño antes de volver a arrancar el motor y operar la máquina.

1. Si las cuchillas están enganchadas, coloque la palanca de la potencia de arranque (PTO) (*enganche de cuchilla*) en la posición OFF (desconectada).
2. Gire la llave de encendido en sentido contrario a las agujas del reloj a la posición STOP (detención).
3. Retire la llave del interruptor de encendido para evitar que alguien encienda accidentalmente el motor.

## Conducción del tractor



**¡ADVERTENCIA!** Evite arrancar súbitamente, desarrollar excesiva velocidad y detenerse de repente.

**¡ADVERTENCIA!** No abandone el asiento del tractor sin colocar primero la palanca de la potencia de arranque PTO (*enganche de cuchilla*) en la posición (OFF) (desenganchada), presionando el pedal del freno y colocando el freno de mano. Si deja el tractor sin vigilancia, apague el motor y retire la llave de encendido.

**¡ADVERTENCIA!** Siempre mire hacia abajo y hacia atrás antes y mientras se desplaza marcha atrás, para evitar un accidente.

1. Mover la palanca del acelerador en el FAST (conejo) la posición.

**NOTA:** Siempre operar el tractor con la palanca de control del acelerador en el FAST (conejo) la posición para el uso más eficiente de la plataforma de corte o de otro tipo (disponible por separado) los archivos adjuntos.

2. Suelte el freno de estacionamiento presionando el pedal de freno

- La posición de la palanca de control de velocidad en la posición deseada. Cuanto más hacia adelante o hacia atrás, de que la palanca se mueve, el más rápido, el vehículo de viaje.



**¡ADVERTENCIA!** NO intente cambiar la dirección de la marcha cuando el tractor esté en movimiento. Siempre lleve el tractor a una parada completa antes de mover la palanca de control de velocidad hacia adelante a atrás o viceversa. El no hacerlo podría resultar en serios daños a la transmisión de su tractor.

**IMPORTANTE:** tiempo, los operadores deben utilizar una velocidad menor. Conviértete totalmente familiarizado con el funcionamiento del tractor y los controles antes de operar el tractor a una velocidad mayor.

- El tractor de césped es llevado a una parada apretando el pedal de freno.
- Ponga el freno de estacionamiento totalmente deprimido el pedal de freno y mantenerlo presionado mientras coloca la palanca del freno de estacionamiento en la posición ON. Suelte el pedal del freno para que el freno de estacionamiento a participar.



**¡ADVERTENCIA!** Antes de abandonar la posición del operador por cualquier razón, separar las hojas, poner la palanca de control de velocidad en neutral, ponga el freno de estacionamiento, parada motor apagado y quitar la llave.

**IMPORTANTE:** Al parar el tractor, por cualquier motivo, mientras que en una superficie de hierba, siempre:

- Place the speed control lever in N (neutral),
- Engage the parking brake,
- Shut engine off and remove the key.

**NOTA:** Si lo hace, reducirá al mínimo la posibilidad de tener su césped "dorada" por el escape caliente del motor de su tractor.

## Operación en pendientes

Consulte el INDICADOR DE PENDIENTES en la sección Medidas importantes de seguridad del manual para contribuir a determinar en qué pendientes puede operar el tractor con seguridad.



**¡ADVERTENCIA!** No corte el césped en inclinaciones mayores a 15 grados (*elevación aproximada de 2 1/2 pies por cada 10 pies*). El tractor podría voltearse y causar lesiones severas.

- Corte hacia arriba y abajo de las pendientes, NUNCA en forma transversal.
- Tenga cuidado cuando cambie de dirección al operar en pendiente.
- Esté atento a los hoyos, surcos, baches, rocas u otros objetos ocultos. El terreno desnivelado puede voltear la máquina. El césped alto puede ocultar obstáculos.
- Evite realizar giros cuando opere en una pendiente. Si debiera realizar un giro, baje de la pendiente. Subir una pendiente aumenta enormemente las posibilidades de que el vehículo dé una vuelta de campana.
- Evite detenerse cuando suba una pendiente. Si fuese necesario detenerse mientras sube una pendiente, arranque suave y cuidadosamente para reducir la posibilidad de que el tractor dé una voltereta hacia atrás.

## Enganche de las cuchillas

Cuando se engancha la potencia de arranque PTO (*enganche de cuchillas*) se suministra alimentación a la plataforma de corte o a otros aditamentos (*disponibles por separado*). Para conectar las cuchillas, haga lo siguiente:

- Mueva la palanca de control del regulador a la posición FAST (VELOCIDAD RÁPIDA, representada por una liebre).
- Tome la potencia de arranque PTO (*enganche de cuchillas*) y gírela totalmente hacia adelante hasta la posición enganchada (ON).
- Mantenga la palanca del regulador en la posición FAST (velocidad rápida, representada por una liebre), para un uso más eficaz de la plataforma de corte o de otros accesorios (*disponibles por separado*).

**NOTA:** Modelos con modo de precaución en marcha atrás: El motor se apagará automáticamente si la potencia de arranque (PTO) está enganchada con la palanca de cambios en posición de marcha atrás con la llave de encendido en la posición de CORTE NORMAL.

## Uso de la cubierta de Levante la palanca de

Para elevar la plataforma de corte, mover la palanca de elevación de cubierta a la izquierda, luego se coloca en la ranura más adecuada para su aplicación. Consulte Ajuste la altura de corte anteriormente en esta sección.

## Corte de césped



**¡ADVERTENCIA!** Para ayudar a evitar el contacto con las cuchillas o una lesión por algún objeto que sea arrojado, mantenga a los observadores, a los ayudantes, niños y mascotas alejados al menos 25 metros de la máquina mientras está en funcionamiento. Detenga la máquina si alguien se acerca. La siguiente información será de utilidad cuando use la plataforma de corte con su tractor:



**¡ADVERTENCIA!** Planifique el patrón de corte, para evitar que la descarga de materiales se realice hacia los caminos, las veredas, los observadores, etc. Evite además descargar material contra las paredes u obstrucciones que podrían hacer que el material descargado rebote contra el operador.

- No corte a alta velocidad absoluta, especialmente si se ha instalado un juego de abonadora o un colector de césped.
- Para obtener los mejores resultados, se recomienda realizar los dos primeros cortes de césped arrojando la descarga hacia el centro. Después de las dos primeras vueltas, cambie la dirección para arrojar la descarga hacia afuera, para equilibrar el corte. Esto otorgará un mejor aspecto al césped.
- No corte el césped demasiado corto. El césped corto es propicio para el crecimiento de malezas y se pone amarillo rápidamente cuando escasea la lluvia.
- El corte del césped siempre debe realizarse con el regulador del motor al máximo.
- En terrenos difíciles, puede resultar necesario pasar por segunda vez el tractor corta césped sobre el área ya cortada, para obtener un corte más prolífico.
- NO intente cortar malezas frondosas o césped extremadamente alto. El tractor fue diseñado para cortar el césped, NO para podar malezas.

- Mantenga las cuchillas afiladas y reemplácelas cuando se desgasten. Consulte Cuchillas de corte en la sección Servicio de este manual para obtener instrucciones sobre cómo afilar correctamente las cuchillas.

## Mover el tractor manual

1. La transmisión de su tractor está equipado con una válvula de alivio hidrostática para las ocasiones cuando es necesario para mover el tractor de forma manual. La activación de esta fuerza a la válvula de líquido en la transmisión de eludir su ruta normal, permitiendo que las llantas traseras a la "rueda libre". Para participar de la válvula de alivio hidrostática, haga lo siguiente:
2. Busque la barra de derivación hidrostática en la parte trasera del tractor. Véase la Figura 5-2.

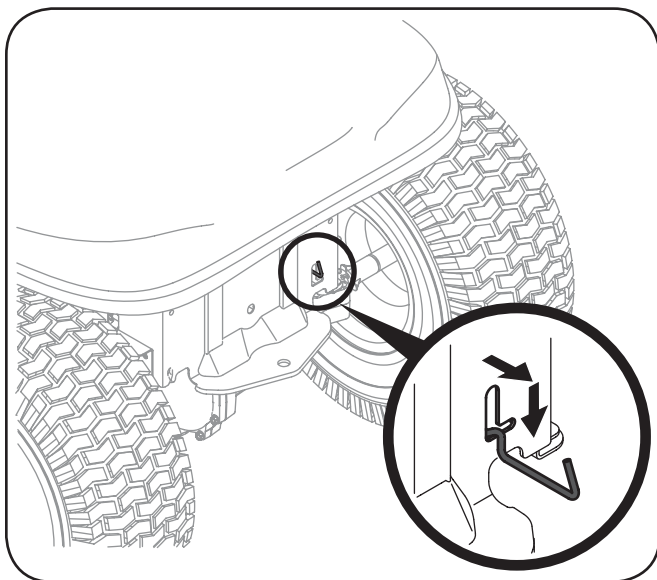


Figura 5-2

3. Tire de la varilla de circunvalación hidrostática hacia afuera, a continuación, hacia abajo ya la izquierda, para que encaje en su lugar.

**NOTA:** La transmisión no se dedicará cuando la barra de derivación hidrostática está hacia fuera. Regresa la varilla a su posición normal antes de operar el tractor.

**IMPORTANTE:** No intente mover el tractor de forma manual sin la participación de la válvula de alivio de la hidrostática. Al hacerlo se producirá un daño grave a la transmisión del tractor.

## Faros delanteros

- Los faros están encendidos cuando el motor del tractor se está ejecutando.
- Las luces se apaga cuando la llave de contacto se mueve a la posición STOP.

## MANTENIMIENTO



**¡ADVERTENCIA!** Antes de realizar tareas de mantenimiento o reparaciones, desconecte la potencia de arranque (PTO), mueva la palanca de cambios a la posición neutral, coloque el freno de mano, apague el motor y retire la llave, para evitar el encendido accidental del motor.

### Motor

Consulte las instrucciones de mantenimiento del motor en el Manual del propietario/operador del motor .

Controle el nivel de aceite del motor antes de cada uso como se indica en el Manual del Motor del Propietario/ Operador que viene embalado con la unidad. Siga las instrucciones con atención.

### Cambio del aceite del motor (*Kohler Motor monocilíndrico*)



**¡ADVERTENCIA!** Si el motor ha sido recientemente correr, el motor, el silenciador y de metal que rodea la superficie se caliente y puede causar quemaduras en la piel. Extreme la precaución para evitar quemaduras.

**NOTA:** El filtro de aceite se debe cambiar en cada intervalo de cambio de aceite.

Para llevar a cabo un cambio de aceite, haga lo siguiente:

1. Hacer funcionar el motor durante unos minutos para permitir que el aceite en el cárter del motor se caliente. Aceite caliente fluirá más libremente y se lleve más de los sedimentos del motor que pueden haber resuelto en la parte inferior del cárter. Tenga cuidado para evitar quemaduras por el aceite caliente.
2. Abrir el capó del tractor y localizar el puerto de drenaje de aceite en el lado derecho del motor.
3. Pop abrir la tapa protectora en el extremo de la válvula de drenaje de aceite para exponer el puerto de drenaje. Véase la Figura 6-1.

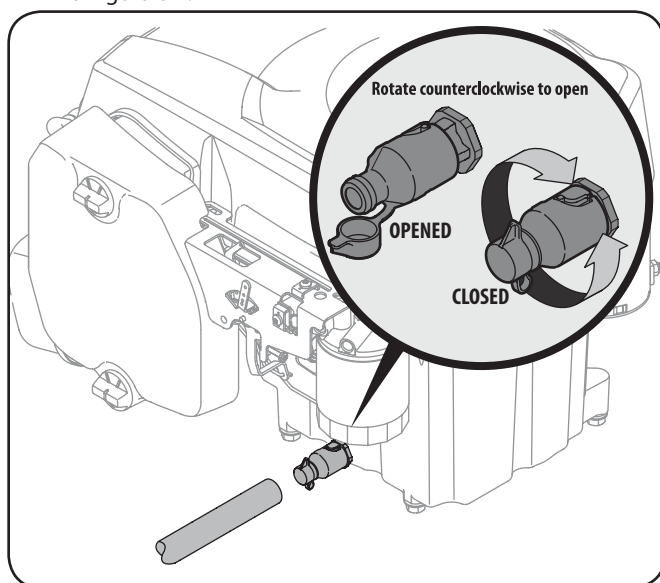


Figura 6-1

4. Retire la tapa de llenado de aceite / varilla medidora del tubo de llenado de aceite.embalado con su máquina.
5. Empuje la manguera de drenaje de aceite (llena de este manual) en el puerto de drenaje de aceite. Ruta del extremo opuesto de la manguera en un recipiente apropiado de recolección de aceite con al menos una capacidad de 2,5 cuartos, para recoger el aceite usado.
6. Apriete las pestañas de la válvula de drenaje de aceite, a continuación, tire hacia afuera para comenzar el drenaje de aceite. Véase la Figura 6-1.
7. Después de que el petróleo ha terminado de drenaje, empuje el otro extremo de la válvula de drenaje de aceite de nuevo, hasta que haga clic aquí en su lugar. Re-cap al final de la válvula de drenaje de aceite para mantener los desechos entren en el puerto de drenaje.
8. Reemplace el filtro de aceite como se indica en el manual del motor independiente del propietario.
9. Vuelva a llenar el motor con aceite nuevo. Consulte el manual del propietario del motor para obtener información sobre el volumen adecuado y el peso de aceite de motor.

**NOTA:** Consulte el Manual del Motor Propietario/ Operador que viene embalado con su unidad, para obtener información sobre la cantidad y la viscosidad adecuadas del aceite del motor.

### Cambio del aceite del motor (*Troy-Bilt Motor monocilíndrico*)



**¡ADVERTENCIA!** Si el motor ha sido recientemente correr, el motor, el silenciador y de metal que rodea la superficie se caliente y puede causar quemaduras en la piel. Extreme la precaución para evitar quemaduras.

**NOTA:** El filtro de aceite se debe cambiar en cada intervalo de cambio de aceite.

Para drenar el aceite del cárter del motor de tractores Modelo Seleccione un manguito de drenaje de aceite de plástico está lleno de este manual de instrucciones. Para drenar el aceite, proceda de la siguiente manera:

1. Desenrosque el tapón de llenado de aceite y retire la varilla de medición del tubo de llenado de aceite.
2. Coloque el extremo pequeño del manguito de drenaje del aceite en el cárter de aceite. Vea la Figura 6-2.
3. Retire el tapón de drenaje y drene el aceite en un recipiente adecuado, con una capacidad de no menos de 64 oz
4. Servicio del filtro de aceite (si lo tiene) como se indica en el motor separado del Propietario / Operador Manual embarcó con su producto.

Realice los pasos anteriores en el orden inverso después del petróleo ha terminado de drenaje.

5. Vuelva a llenar el motor con aceite de motor nuevo como se indica en el Motor del Propietario / Operador manual que viene con su equipo.

**NOTA:** Consulte el Manual del Motor Propietario/ Operador que viene embalado con su unidad, para obtener información sobre la cantidad y la viscosidad adecuadas del aceite del motor.

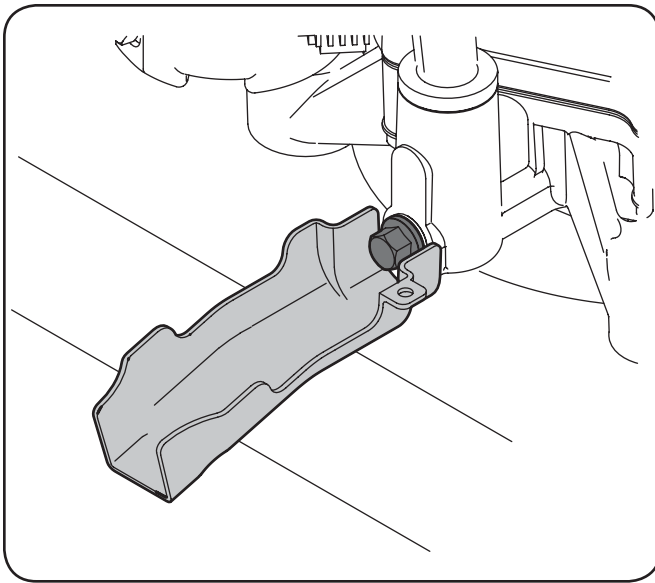


Figura 6-2

### Depurador de aire

Realice el mantenimiento del pre-filtro, en caso de estar instalado y del elemento de filtro de aire/cartucho, según las instrucciones del Manual del propietario/operador del motor que se entrega junto con la unidad.

### Bujía de encendido

Se debe limpiar la bujía y reajustar la separación una vez por temporada. Se recomienda reemplazar la bujía al comienzo de cada temporada de corte de césped. Consulte el manual del Motor del Propietario/ Operador para obtener especificaciones sobre el tipo de bujía y la separación disruptiva adecuada.

### Lubricación



**¡ADVERTENCIA!** Antes de realizar tareas de lubricación, reparación o inspección, siempre desconecte la potencia de arranque (PTO), mueva la palanca de cambios a la posición neutral, coloque el freno de mano, apague el motor y retire la llave, para evitar que alguien encienda accidentalmente el motor.

### Motor

Lubrique el motor con aceite de motor según las instrucciones del Manual del propietario del motor que se entrega junto con la unidad.

### Puntos de pivote y varillaje

Lubrique todos los puntos de pivote del sistema de impulsión, el freno de mano y el varillaje de elevación al menos una vez por temporada con aceite ligero.

### Ruedas traseras

Las ruedas traseras se deben sacar de los ejes una vez por temporada. Lubrique bien los ejes y las llantas con una grasa todo uso antes de reinstalarlos.

### Limpieza del motor y de la plataforma

Si se derrama combustible o aceite sobre la máquina, debe limpiarse de inmediato. NO permita que se acumulen desechos alrededor de las aletas de refrigeración del motor ni en ninguna otra parte de la máquina.

**IMPORTANTE:** NO se recomienda el uso de una lavadora de presión para limpiar el tractor. Puede dañar los componentes eléctricos, los husillos, las poleas, los rodamientos o el motor.

En la superficie de la plataforma de su tractor hay un conector hexagonal. Vea la Figura 6-3.

Este tarugo se puede reemplazar por un puerto de agua a ser usado como parte de un sistema de lavado de la plataforma disponible por separado.

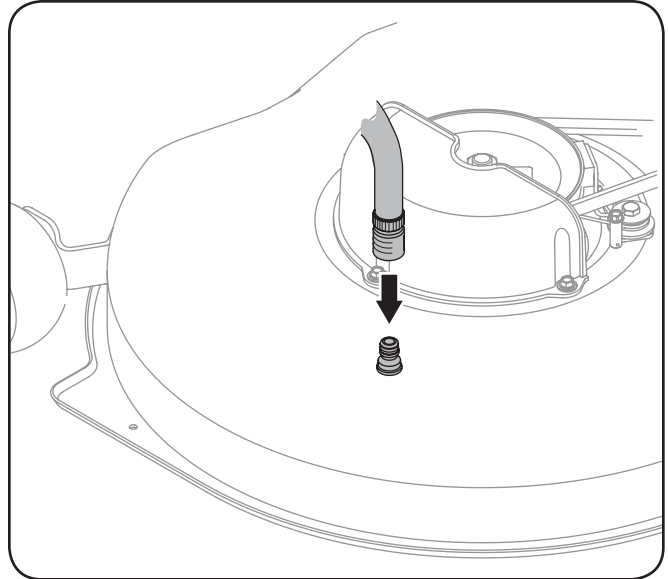


Figura 6-3

El sistema Deck Wash System™ se usa para lavar la parte de abajo de la plataforma y quitar los recortes de césped e impedir la acumulación de sustancias químicas corrosivas.

**NOTA:** Consulte la sección Aditamentos y Accesorios de este manual para obtener información sobre éste y otros aditamentos y accesorios disponibles por separado para su tractor.

### Batería

La batería está sellada y no necesita mantenimiento. Los niveles de ácido no se pueden controlar.

- Siempre mantenga limpios y libres de acumulación de elementos corrosivos los cables y los bornes de la batería.
- Después de limpiar la batería y los bornes, aplique una capa delgada de vaselina o grasa a ambos bornes.
- Siempre mantenga los capuchones de goma colocados sobre el borne positivo para prevenir un cortocircuito.

**IMPORTANTE:** Si por alguna razón extrae la batería, desconecte primero el cable NEGATIVO (negro) de su borne y a continuación el cable POSITIVO (rojo). Cuando vuelva a instalar la batería, conecte siempre primero el cable POSITIVO (rojo) a su borne, y a continuación el cable NEGATIVO (negro). Asegúrese de que los cables estén conectados a los terminales correctos, ya que si los cambia se podría invertir la polaridad y provocar un daño al sistema alternador del motor.

### Limpieza de la batería

Limpie la batería retirándola del tractor y lavándola con bicarbonato de sodio y solución de agua. Si es necesario, raspe los bornes de la batería con un cepillo de alambre para quitar los depósitos. Cubra los bornes y los cables expuestos con grasa o vaselina para prevenir la corrosión.

## Desperfectos de la batería

Algunas causas comunes de falla de la batería son:

- Activación inicial incorrecta
- Sobrecarga
- Congelamiento
- Carga insuficiente
- Corrosión en las conexiones

Estas fallas NO están cubiertas por la garantía del tractor.

## Ajustes



**ADVERTENCIA:** Nunca la tentativa de hacer cualquier ajuste mientras el motor corre, excepto donde especificado en el manual del operador.

### Nivelación de la plataforma

**NOTA:** Controle la presión de neumáticos del tractor antes de realizar cualquier nivelación de la plataforma. Consulte Neumáticos en la sección Servicio de este manual para obtener información sobre la presión de neumáticos.

### Nivelación frontal-posterior

El frente de la plataforma de corte está sostenido por una barra estabilizadora que se puede ajustar para nivelar la plataforma desde la parte frontal hacia la parte posterior. La parte frontal de la plataforma debe estar entre 1/4 de pulgada y 3/8 de pulgada más abajo que la parte posterior. De ser necesario, realice un ajuste de la siguiente manera:

1. Con el tractor estacionado en una superficie firme y nivelada, coloque la palanca de elevación de la plataforma en la segunda de la primera categoría (segunda posición más alta), y gire la hoja lo más cerca del canal de descarga que es paralelo al tractor.
2. Mida la distancia desde la parte delantera de la punta de la cuchilla hasta el piso, y desde la parte posterior de la punta de la cuchilla hasta el piso. La primera medición tomada debe estar entre 1/4" y 3/8" menos que la segunda medición. Determine la distancia aproximada necesaria para un ajuste adecuado y, de ser necesario, siga con el paso siguiente.
3. Localiza la tuerca en el extremo roscado de la varilla de estabilizador. Vea la Figura 6-4. Gire la tuerca de ajuste según se describe a continuación:

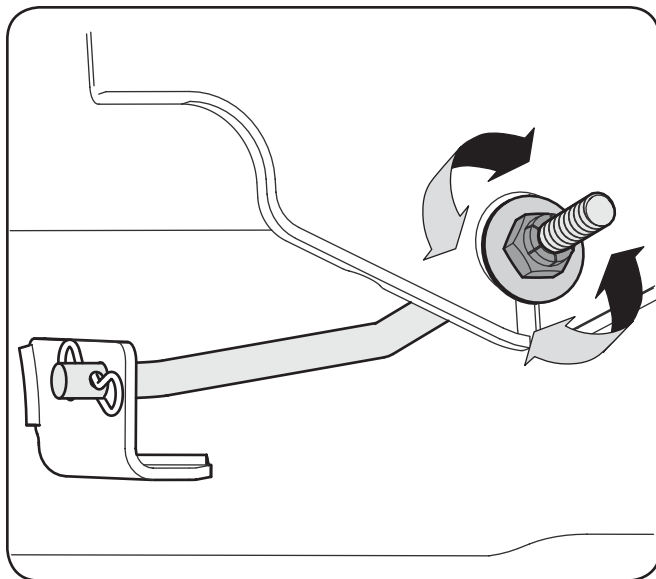


Figura 6-4

- Apriete la tuerca de seguridad para levantar la parte frontal de la plataforma;
- Afloje la tuerca de seguridad para bajar la parte frontal de la plataforma;

### Nivelación lado a lado

Si la plataforma de corte estuviera realizando el corte de césped de forma despereja, puede realizarse un ajuste lado a lado. De ser necesario, realice un ajuste de la siguiente manera:

1. Con el tractor estacionado en una superficie firme y nivelada, coloque la palanca de elevación de la plataforma en la segunda de la primera categoría (segunda posición más alta) y gire tanto las hojas se colocan en dirección perpendicular al tractor.
2. Mida la distancia desde la parte externa de la punta de la cuchilla izquierda hasta el piso, y desde la parte externa de la punta de la cuchilla derecha hasta el piso. Las dos mediciones obtenidas deben ser iguales. Si no lo son, realice el siguiente paso.
3. Afloje, pero NO extraiga, el tornillo de cabeza hexagonal ubicado en la ménsula de suspensión izquierda de la plataforma. Vea la Figura 6-5.

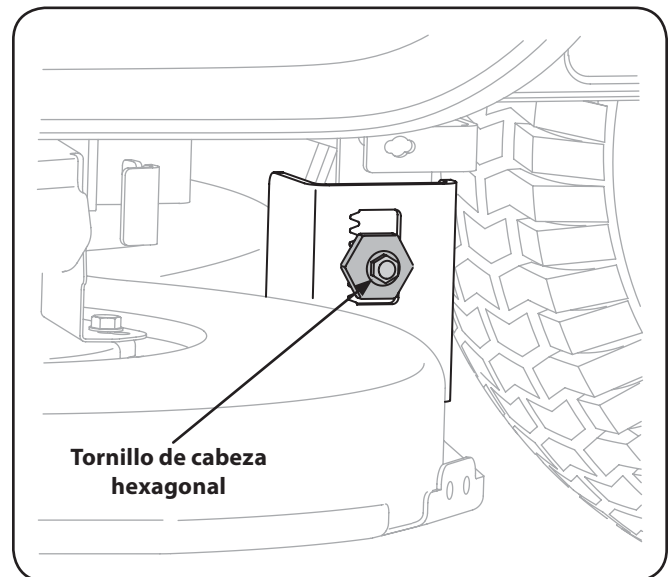


Figura 6-5

4. Nivele la plataforma con una llave para girar el engranaje de ajuste (el cual se encuentra inmediatamente detrás del tornillo hexagonal que se acaba de aflojar) en el sentido de las agujas del reloj para subirla o en sentido contrario a las agujas del reloj para bajarla. La plataforma se encuentra correctamente nivelada cuando las dos mediciones tomadas antes a las puntas de las cuchillas son iguales.
5. Una vez alcanzado el ajuste necesario, vuelva a ajustar el tornillo de cabeza hexagonal de la ménsula de suspensión izquierda de la plataforma.

## Ajuste del asiento

Consulte la sección Configuración y Montaje de este manual para ver instrucciones para el ajuste del asiento.

## Ajuste del freno de mano



**¡ADVERTENCIA!** Nunca intente ajustar los frenos con el motor en marcha. Desenganche siempre la potencia de arranque (PTO), mueva la palanca de cambios a la posición neutral, apague el motor y retire la llave, para evitar que alguien encienda

accidentalmente el motor.

Si el tractor no se detiene por completo cuando se presiona totalmente el pedal de freno, o si las ruedas traseras del tractor siguen rodando con el freno de mano colocado, el freno necesita ajustes. Consulte con su distribuidor de servicio MTD autorizado para realizar un ajuste correcto del freno.

## Calendario de mantenimiento

	Antes de cada uso	Cada 10 horas	Cada 25 horas	Cada 50 horas	Cada 100 horas	Antes de almacenar
Limpie el capó/los respiraderos		✓				✓
Inspeccione el nivel de aceite del motor	✓	✓				
Controle el filtro de aire para ver si hay piezas sucias, sueltas o dañadas	✓					
Limpie y vuelva a lubricar el depurador de espuma del filtro de aire			✓			
Reemplace el elemento del filtro de aire					✓	
Cambie el aceite del motor y reemplace el filtro de aceite				✓		
Limpie los bornes de la batería		✓				✓
Lubrique los ejes frontales y las llantas			✓			✓
Limpie las aletas de refrigeración del motor			✓			✓
Lubrique los puntos de pivote del pedal		✓				✓
Inspeccione la condición de las bujías de encendido y la separación					✓	✓
Reemplace el filtro de combustible					✓	

**¡IMPORTANTE:** Como este manual cubre una gama de diversos modelos de tractor, es importante consultar el manual del operador del motor específico que se incluye con esta máquina para ver los procedimientos e intervalos de mantenimiento detallados del motor.

## Extracción de la plataforma de corte

Para extraer la plataforma de corte, proceda de la siguiente manera:

1. Coloque la toma de fuerza (PTO) (*enganche de cuchilla*) en la posición OFF (desconectada) y coloque el freno de mano.
2. Baje la plataforma colocando la palanca de elevación de la plataforma dentro de la muesca inferior en el guardabarros derecho.
3. Quite la vara de encargado de cinturón, de alrededor de la polea de motor del tractor, quitando el tornillo de autogolpeado (A) que lo asegura. Ver el Figura 7-1.

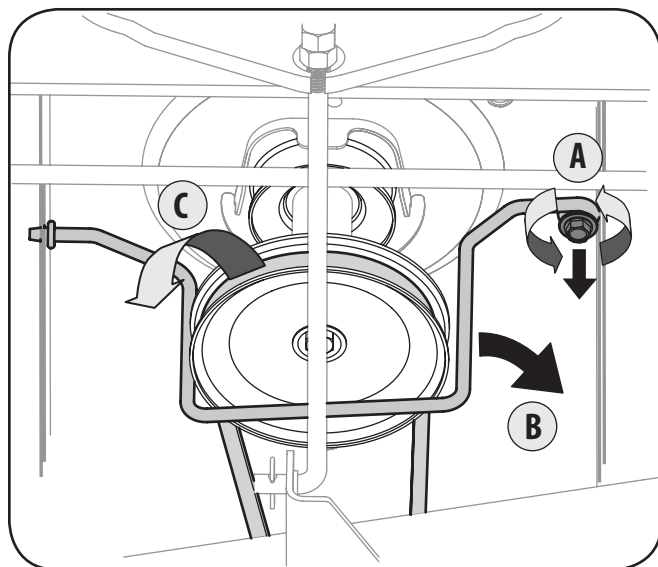


Figura 7-1

**Note:** Haga una nota mental en que agujero el otro final de la vara de encargada de cinturón es insertado para objetivos de nueva instalación.

4. Retire la correa (C) de alrededor de la polea del motor del tractor y de la(s) polea(s) loca(s). Consulte Cambio de la correa de la plataforma más adelante en esta sección para obtener instrucciones detalladas.
5. Mire la plataforma de corte desde el lado izquierdo del tractor y localice el pasador de horquilla que fija la varilla de sostén de la plataforma al lateral posterior izquierdo de la plataforma. Vea la Figura 7-2. Retire el pasador de chaveta que ajusta la varilla de soporte de la plataforma y con cuidado retire el soporte de la plataforma del brazo de elevación de la plataforma.

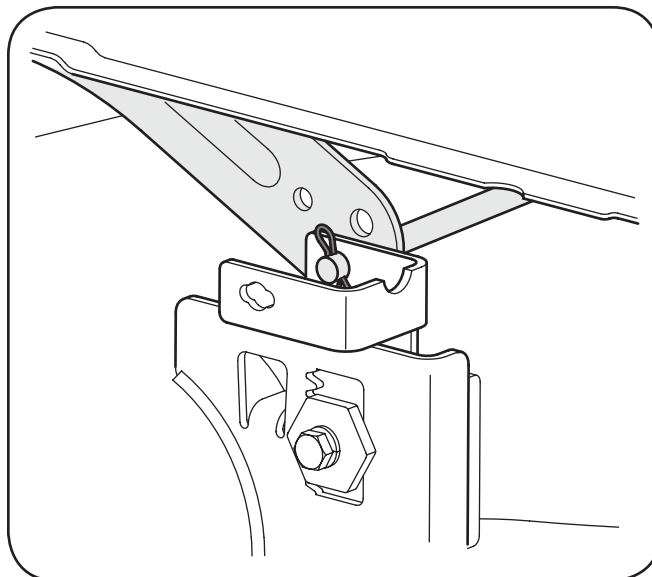


Figura 7-2

6. Repita los pasos anteriores del lado derecho del tractor.
7. Mueva la palanca de elevación de la plataforma dentro de la muesca superior del guardabarros derecho para levantar los brazos de elevación de la plataforma y retirarlos del paso.
8. Quitar la proa-empate pasador de chaveta garantizar la vara levantar la cubierta a la cubierta. Deslice la cubierta de levantar la vara de la weldment montaje en la cubierta. Vea la Figura 7-3.

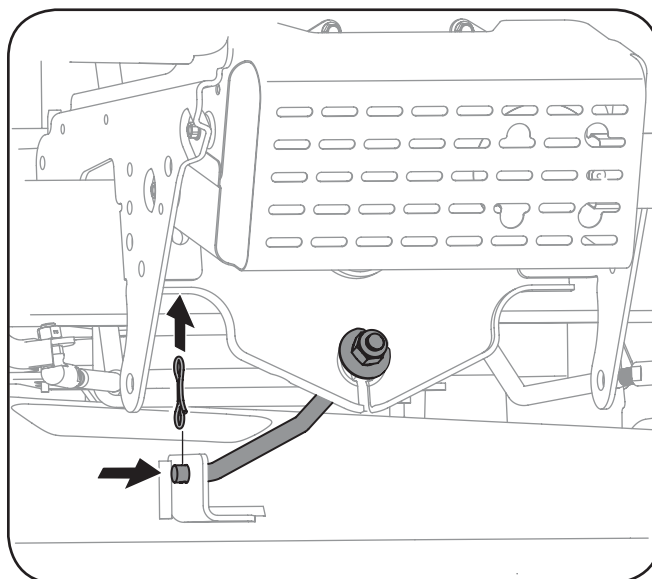


Figura 7-3



- Extraiga con cuidado el cable de la potencia de arranque (PTO) de la parte posterior de la plataforma de corte retirando el pasador de horquilla que lo fija. Retire el resorte del soporte de polea loca de la plataforma. Vea la Figura 7-4.

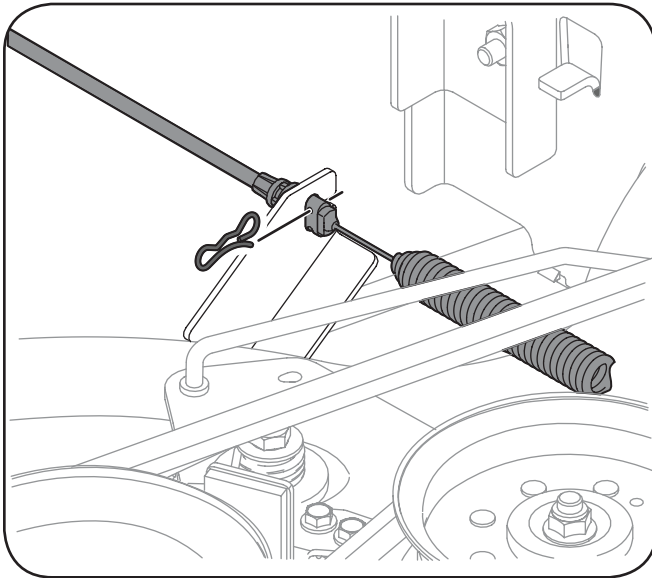


Figura 7-4

- Deslice suavemente la plataforma de corte hacia la parte delantera del tractor, permitiendo que los ganchos de la plataforma se suelten de la varilla estabilizadora.
- Deslice suavemente la plataforma de corte (*desde el lado derecho*) hacia afuera desde la parte inferior del tractor.

### Neumáticos



**¡ADVERTENCIA!** Nunca exceda la presión máxima de inflado que se indica en los laterales de los neumáticos.

La presión operativa recomendada para los neumáticos es:

- Aproximadamente 10 psi para los neumáticos traseros
- Aproximadamente 14 psi para los neumáticos delanteros

**¡IMPORTANTE!** Consulte los laterales de los neumáticos para conocer con exactitud la presión máxima en psi recomendada por el fabricante. No los infle en exceso. Una presión de neumáticos despareja podría hacer que la plataforma corte el césped en forma desigual.

### Batería



**¡ADVERTENCIA PROPOSICIÓN 65 DE CALIFORNIA!** Los bornes de la batería y los accesorios afines contienen plomo y compuestos de plomo, sustancias químicas que según lo establecido por el Estado de California causan cáncer y daños en el sistema reproductivo. Lávese las manos después de estar en contacto con estos componentes.



**PRECAUCIÓN:** Si extrae la batería, desconecte primero el cable NEGATIVO (negro) de su borne y a continuación el cable POSITIVO (rojo). Cuando vuelva a instalar la batería, conecte siempre primero el cable POSITIVO (rojo) a su borne, y a continuación el cable NEGATIVO (negro).

### Arranque por medio de conexión en puente



**¡ADVERTENCIA!** Nunca arranque una batería dañada o congelada con conexiones en puente. Asegúrese de que los vehículos no se toquen y los encendidos están apagados. No permite que las abrazaderas de los cables se toquen.

- Conecte el cable positivo (+) al borne positivo (+) de la batería descargada de su tractor.
- Conecte el otro extremo del cable al borne positivo (+) de la batería con el puente conector.
- Conecte el segundo cable negativo (-) al otro borne de la batería con el puente conector.
- Realice la conexión final en el bloque del motor del tractor, lejos de la batería. Acople a una parte sin pintura para asegurarse de que haya una buena conexión.



**PRECAUCIÓN:** Si la batería con el puente conector está instalada en el vehículo (es decir automóvil, camión) NO ponga en marcha el motor del vehículo cuando arranque su tractor con el conector puente.

- Arranque el tractor (según las instrucciones de la sección Funcionamiento de este manual).
- Coloque el freno de mano del tractor antes de sacar los cables de conexión en puente, en orden inverso de conexión.

### CARGA



**¡ADVERTENCIA!** Al cargarse, las baterías emiten un gas que puede causar explosiones. Cargue la batería en un área bien ventilada y aléjela de una llama abierta o luz piloto, como por ejemplo calentadores de agua, calefactores de ambiente, hornos, secadores de ropa u otros aparatos a gas.



**PRECAUCIÓN:** Cuando cargue la batería de su tractor, utilice únicamente un cargador diseñado para baterías de plomo-ácido de 12V. Lea el Manual del Operador del cargador de la batería antes de cargar la batería de su tractor. Siempre siga las instrucciones y tenga en cuenta las advertencias.

Si su tractor no se ha utilizado durante un período de tiempo prolongado, cargue la batería de la siguiente manera:

- Ajuste el cargador de batería para que produzca un máximo de 10 amperes.

Si el cargador de su batería es automático, cargue la batería hasta que el cargador indique que se ha completado la carga. Si el cargador no es automático, cargue por ocho horas como mínimo.

### Fusible

En el mazo de cables de su tractor hay instalado un fusible de 20 amperes, para proteger el sistema eléctrico del tractor de los daños causados por exceso de amperaje.

Si el sistema eléctrico no funciona, o el motor de su tractor no arranca, verifique primero que el fusible no se haya quemado. Lo puede encontrar en la parte trasera de la unidad, debajo del guardabarros ubicado junto a la batería.



**¡ADVERTENCIA!** Para el reemplazo utilice siempre un fusible que posea la misma capacidad de amperaje.

## Cuchillas de corte



**¡ADVERTENCIA!** Antes de extraer la(s) cuchilla(s) para afilarla(s) o reemplazarla(s), asegúrese de apagar el motor, retirar la llave de encendido, desconectar el(los) cable(s) de la bujía y hacer masa contra el motor para impedir el encendido accidental del motor. Proteja sus manos utilizando guantes pesados o un paño para asir la cuchilla de corte.



**¡ADVERTENCIA!** Inspeccione periódicamente los adaptadores de las cuchillas en busca de rajaduras o daños, especialmente cuando golpee un objeto extraño. Reemplace de inmediato si está dañado.

Las cuchillas se pueden extraer de la siguiente manera.

1. Extraiga la plataforma de la parte inferior del tractor, (consulte la sección *Extracción de la plataforma de corte en partes anteriores de esta sección*); luego voltee con delicadeza la plataforma para dejar al descubierto su parte inferior.
2. Coloque un bloque de madera entre el deflector del alojamiento central de la plataforma y la cuchilla de corte, para que actúe como estabilizador. Vea la Figura 7-5.
3. Extraiga la tuerca de brida hexagonal que asegura la cuchilla al montaje del husillo. Vea la Figura 7-5.

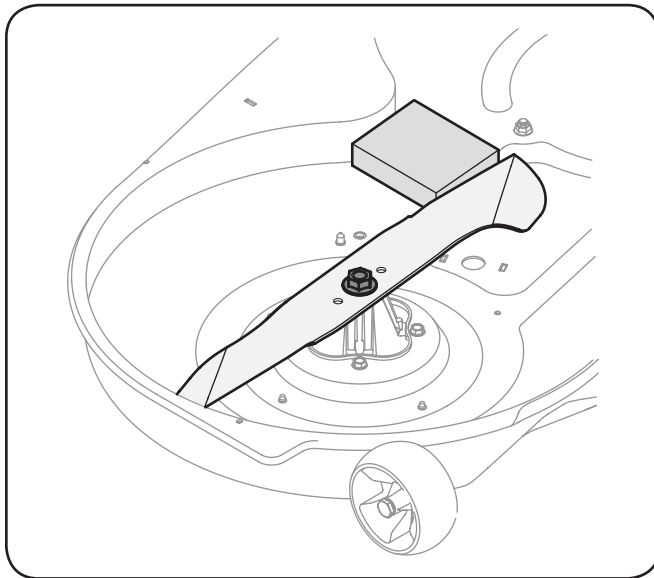


Figura 7-5

4. Para afilar las cuchillas de corte de forma adecuada, extraiga cantidades iguales de metal de ambos extremos de las cuchillas a lo largo de los bordes cortantes, de forma paralela al borde de caída, a un ángulo de 25° a 30°.

**IMPORTANTE:** Si el borde de corte de la cuchilla ya ha sido afilado hasta 1 5/8" del borde, o si existe una separación de metal, reemplace las cuchillas por otras nuevas. Vea la Figura 7-6.

- Es importante que cada borde de la cuchilla de corte sea pulido por igual para mantener el equilibrio adecuado de la cuchilla.
- Una cuchilla desequilibrada causará vibración excesiva y puede ocasionar daños materiales al tractor y lesiones personales. Se puede probar la cuchilla balanceándola sobre un destornillador de eje circular. Afile el metal del lado pesado hasta que quede bien equilibrada.

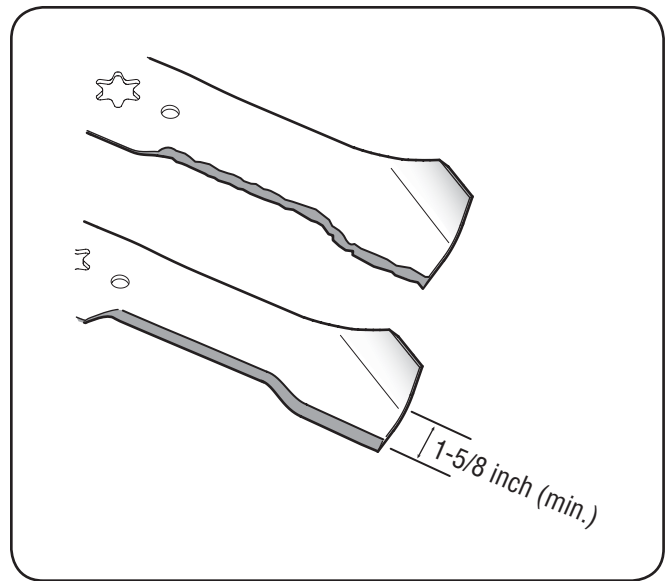


Figura 7-6

- Pruebe el equilibrio de la lámina usando una lámina balancer. Muela el metal del lado pesado hasta que esto equilibre regularmente.
- Al reemplazar la cuchilla, asegúrese de instalarla con el lado marcado "Bottom" (inferior) (o con el lado que posee un número de pieza estampado) mirando al piso con la cortadora de césped en posición de operación.

**IMPORTANTE:** Utilice una llave de torsión para ajustar la tuerca de brida hexagonal del husillo de la cuchilla entre 70 pies-libras y 90 pies-libras.

## Cambio de la correa de la plataforma



**¡ADVERTENCIA!** Asegúrese de apagar el motor, retirar la llave de encendido y desconectar el (los) cable(s) de bujía y masa del motor para evitar el arranque accidental del mismo antes de retirar la correa.

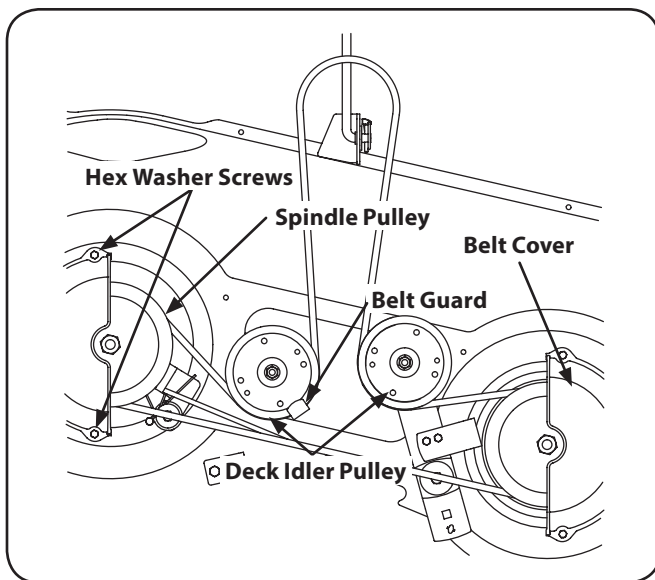


**¡ADVERTENCIA!** Todas las correas del tractor están sujetas a desgaste y se las debe cambiar si se presentan signos de desgaste.

**IMPORTANTE:** Las correas en V del tractor están diseñadas especialmente para que se engranen y desengranen sin riesgos. El uso de una correa en V sustituta (que no sea del fabricante del equipo original) puede resultar peligroso si la misma no se desengrana completamente. Para que la máquina funcione correctamente, use correas aprobadas por el fabricante.

Para cambiar o reemplazar la correa de la plataforma de su tractor, proceda de la siguiente manera:

1. Quite la cubierta como se indica anteriormente en esta sección.
2. Retire la cinta cubre quitando los tornillos hexagonales que sujetan lavadora a la cubierta. Véase la Figura 7-7.
3. También puede ser necesario aflojar la tuerca hexagonal de la polea tensora a la izquierda para obtener el cinturón alrededor de la polea y el protector de la correa.



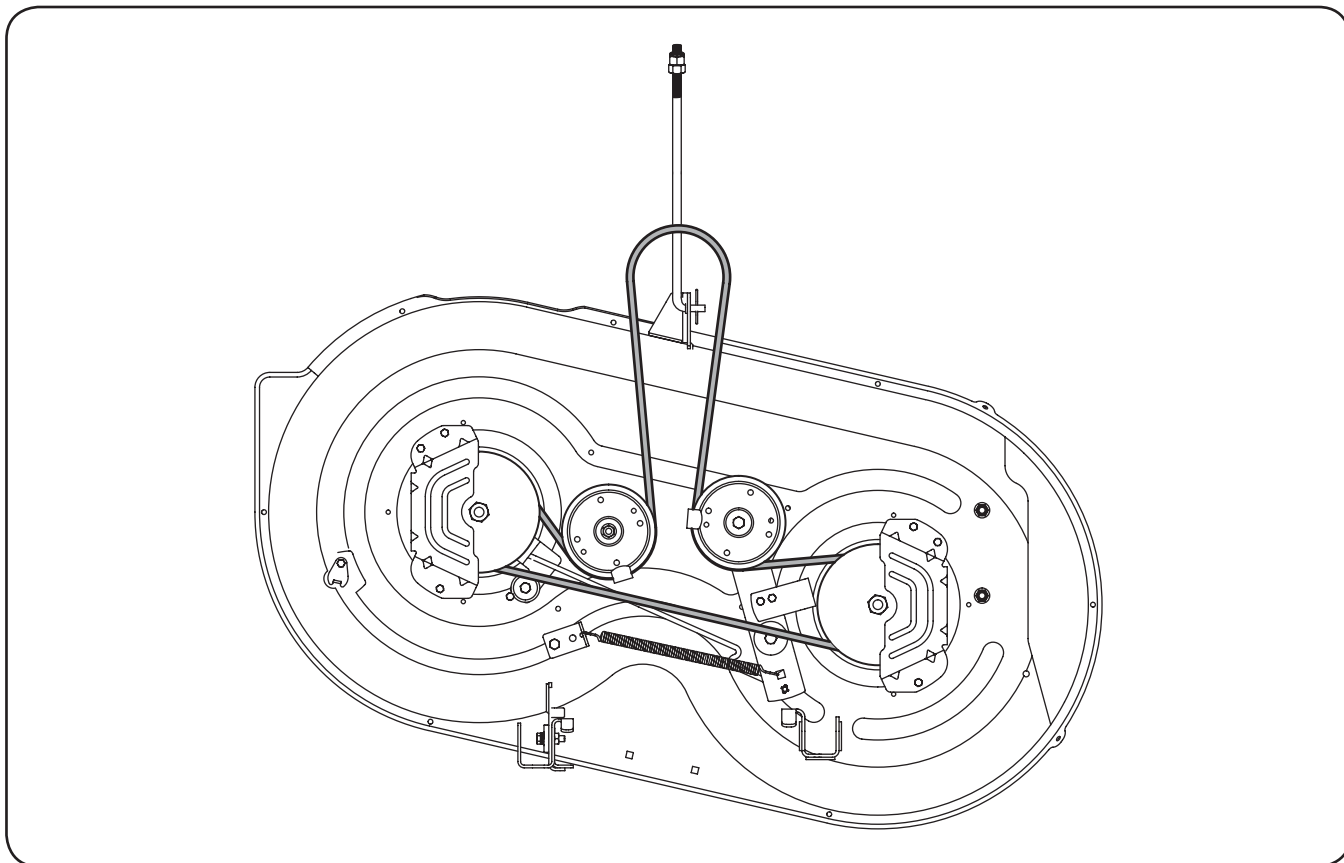
**Figura 7-7**

4. Retire con cuidado la cinta de cubierta de alrededor de las dos poleas del husillo y las dos poleas polea tensora de la cubierta. Véase la Figura 7-7.
5. Para colocar la correa nueva, empieza haciendo que el cinturón alrededor de las dos poleas exterior del huso, como se muestra en la Figura 7-7.

6. Luego, la cinta de ruta alrededor de las dos poleas de la cubierta como se muestra en la Figura 7-7.
7. Volver a apretar la barra poseedor del cinturón aflojado antes.
8. Volver a montar la cinta de los guardias de retirarse antes.
9. Vuelva a instalar la cubierta, asegurándose de que la cinta sigue siendo derrotados en las poleas con las instrucciones. Véase la Figura 7-8.
10. Tire de la parte derecha de la cinta, y coloque el lado V estrecha de la correa en la polea PTO.
11. Mientras se mantiene la correa y la polea juntos, girar la polea a la izquierda. Seguir manteniendo y rotación de la polea y la correa hasta que la correa es totalmente enrollado en la polea PTO.

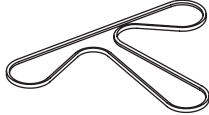


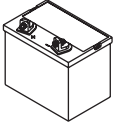





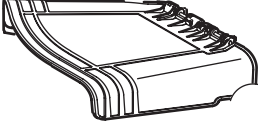
### **Cambio de la correa de transmisión**

**NOTA:** Para cambiar la correa de transmisión del tractor, se deben retirar varios componentes y se requieren herramientas especiales (es decir, llave de impacto/ aire). Solicite a un distribuidor de mantenimiento Troybilt autorizado que efectúe el reemplazo de la correa de transmisión, o llame por teléfono al Departamento de Atención al Cliente tal como se indica en la página 2 para obtener información sobre la forma de pedir un Manual de Mantenimiento.



**Figura 7-8**

Problema	Causa	Solución
El motor no arranca	<ol style="list-style-type: none"> <li>1. La potencia de arranque (PTO)/cuchilla está conectada.</li> <li>2. Se ha desconectado el cable de la bujía.</li> <li>3. El depósito de combustible está vacío o el combustible se ha echado a perder.</li> <li>4. No se ha activado el obturador.</li> <li>5. La bujía no funciona correctamente.</li> <li>6. La línea del combustible está bloqueada.</li> <li>7. Motor ahogado.</li> <li>8. No está colocado el freno de mano</li> <li>9. La palanca de control del regulador no está en la posición de arranque correcta.</li> </ol>	<ol style="list-style-type: none"> <li>1. Coloque la perilla (o palanca) en posición OFF (desenganchada).</li> <li>2. Conecte el cable a la bujía.</li> <li>3. Llene el depósito con gasolina limpia y nueva (de menos de 30 días).</li> <li>4. Coloque el control del regulador en la posición OBTURADOR.</li> <li>5. Limpie o cambie la bujía o ajuste la separación.</li> <li>6. Limpie la línea de combustible y reemplace el filtro de combustible.</li> <li>7. Arranque el motor con el regulador en posición FAST (rápido).</li> <li>8. Coloque el freno de mano.</li> <li>9. Mueva la palanca del regulador a la posición FAST (rápido).</li> </ol>
El motor funciona de manera errática	<ol style="list-style-type: none"> <li>1. La unidad está funcionando con el OBTURADOR activado.</li> <li>2. Los cables de la bujía están flojos.</li> <li>3. La línea del combustible está tapada o el combustible se ha echado a perder.</li> <li>4. La ventilación en la tapa del combustible está obstruida.</li> <li>5. Agua o suciedad en el sistema del combustible.</li> <li>6. El filtro de aire está sucio.</li> </ol>	<ol style="list-style-type: none"> <li>1. Saque el control del regulador de la posición OBTURADOR.</li> <li>2. Conecte y ajuste el cable de la bujía.</li> <li>3. Limpie la línea de combustible; llene el tanque con gasolina limpia y fresca y reemplace el filtro de combustible, en caso de haber.</li> <li>4. Destape la ventilación o reemplace la tapa si está dañada.</li> <li>5. Vacíe el tanque de combustible. Llene el tanque con gasolina limpia y fresca.</li> <li>6. Reemplace el elemento de papel del filtro de aire o limpie el depurador de espuma, en caso de haber.</li> </ol>
El motor recalienta	<ol style="list-style-type: none"> <li>1. El nivel de aceite del motor está bajo.</li> <li>2. Flujo de aire restringido.</li> </ol>	<ol style="list-style-type: none"> <li>1. Llene el cárter con la adecuada cantidad y peso de aceite.</li> <li>2. Limpie los recortes de pasto y suciedad acumulados alrededor de las aletas de refrigeración del motor y del alojamiento del soplador.</li> </ol>
El motor vacila a altas revoluciones	<ol style="list-style-type: none"> <li>1. La separación de la bujía es muy pequeña.</li> </ol>	<ol style="list-style-type: none"> <li>1. Retire la bujía y reajuste la separación.</li> </ol>
El motor funciona con dificultad en ralentí	<ol style="list-style-type: none"> <li>1. Bujía sucia, averiada o exceso de separación.</li> <li>2. El filtro de aire está sucio.</li> </ol>	<ol style="list-style-type: none"> <li>1. Reemplace la bujía. Configure la separación de la bujía.</li> <li>2. Reemplace el elemento del filtro de aire y/o limpie el depurador, si la unidad está equipada con el mismo.</li> </ol>
Demasiada vibración	<ol style="list-style-type: none"> <li>1. Cuchilla de corte floja o descentrada.</li> <li>2. Cuchilla dañada o curvada.</li> </ol>	<ol style="list-style-type: none"> <li>1. Apriete la cuchilla y el husillo. Estabilice la cuchilla.</li> <li>2. Reemplace la cuchilla.</li> </ol>
La cortadora de césped no regresa el recorte de césped como abono	<ol style="list-style-type: none"> <li>1. La velocidad del motor es demasiado lenta.</li> <li>2. Césped húmedo.</li> <li>3. Césped demasiado alto.</li> <li>4. La cuchilla de la cortadora no está afilada.</li> </ol>	<ol style="list-style-type: none"> <li>1. Coloque el control del regulador en la posición FAST (velocidad rápida, representada por una liebre).</li> <li>2. No realice abono cuando el césped está húmedo.</li> <li>3. Corte una vez a una altura de corte elevada y luego vuelva a cortar el césped a la altura deseada, o haga una pasada de corte más angosta.</li> <li>4. Afile o cambie la cuchilla.</li> </ol>
Corte desigual	<ol style="list-style-type: none"> <li>1. La plataforma no está correctamente nivelada.</li> <li>2. La cuchilla de la cortadora no está afilada.</li> <li>3. Presión de neumáticos desigual.</li> </ol>	<ol style="list-style-type: none"> <li>1. Realice un ajuste de la plataforma lado a lado.</li> <li>2. Afile o cambie la cuchilla.</li> <li>3. Verifique la presión de los cuatro neumáticos.</li> </ol>

Componente	Número de Parte y Descripción
	954-05056 Deck Belt (42" plataforma de corte) 954-04219 Deck Belt (46" plataforma de corte)
	918-06991 Cubierta del eje (42" plataforma de corte) 918-06989 Cubierta del eje (46" plataforma de corte)
	942-04308 Cuchilla (42" plataforma de corte) 942-04308-X Hoja Extreme (42" plataforma de corte) 942-04290 Cuchilla (46" plataforma de corte) 942-04290-X Hoja Extreme (46" plataforma de corte)
	925-1707D Batería
 <p>(Modelos CA sólo)</p>	951-12179B Gorra de Depósito de combustible 951-12426A Gorra de Depósito de combustible (CA)
	625-05002 Llave de montaje-Key Negro con llavero
	734-1731 Neumático (delanteros) 15 x 6 x 6 Hombro Cuadrado 734-04240A Neumático (delanteros) 15 x 6 x 6 hombro redonda
	734-1730 Neumático (delanteros) 20 x 8 x 8 Hombro Cuadrado 734-04241 Neumático (delanteros) 20 x 8 x 8 hombro redonda
	746-04367 Control/Cable de Regulador
	631-05191 Asamblea de Tolva de Descarga

**NOTE:** Descargue un Manual de Partes completo gratuitamente en [www.troybilt.com](http://www.troybilt.com) o teléfono (800) 828-5500 para comprar un Manual de Partes. Esté seguro para tener su número modelo y número de serie listo. Éstos pueden ser encontrados en el plato modelo localizado bajo el asiento. Refiérase a la página 2 para más información en cuanto a la localización de su modelo y números de serie.

Los siguientes aditamentos y accesorios son compatibles con los Troybilt Tractores. Consulte al minorista a quien le adquirió su tractor, a un distribuidor autorizado Troy-bilt de mantenimiento o llame al teléfono (800) 828-5500 para obtener información sobre precios y disponibilidad.



**PRECAUCIÓN:** Este Troy-Bilt Lawn Tractor no está diseñado para su uso con cualquier tipo de terreno adjuntos de participación (por ejemplo, caña o el arado). El uso de este tipo de equipo se anulará la garantía del tractor.

Model Number	Description
19A30005OEM	Mulch Kit
19A30003OEM	Bagger
OEM-190-679	Bumper Kit
OEM-190-833	Hoja Dozer
OEM-190-032	42-Inch segunda etapa quitanieves
490-900-M060	42 lb Caso trasero Kit Suit Peso con soporte
490-900-M059	42 Lb Traje trasero Peso de la caja
490-241-0023	Cadenas para neumáticos 20X8
490-290-0013	Tractor Cubierta
OEM-190-607	Parasol
490-850-0005	Hoja Removal Tool
490-850-0008	Petróleo Sifón
490-900-0045	Llave del filtro de aceite
SPW-136	La llave para bujías
490-325-L021	1 Galón Tire & Tube Sealant por la ayuda del neumático
490-325-L019	24 oz Tire & Tube Sealant por la ayuda del neumático
490-850-L013	Deluxe neumático / tubo Foot Pump Aid Al Tire
490-850-L014	Tire Aid Kit Deluxe Plug Tire Tire por la ayuda
490-328-L014	15 "Tractor del tubo con sellador de neumáticos por AID
490-328-L016	18 "& 20" Tube Tractor con sellador de neumáticos por AID
22216	32 oz. <b>STA-BIL</b> ®

---

---

---

---

---

---

---

---

---

---

---

---

---

---

---

---

---

---

---

---

---

---

---

---

---

---

---

---

---

---

---

---

---

---

---

---

---

---

---

---

---

---

---

---

---

---

---

---

---

---

---

---

---

---





## **DECLARACIÓN FEDERAL y/o DE CALIFORNIA SOBRE GARANTÍAS EN EL CONTROL DE EMISIONES SUS DERECHOS Y OBLIGACIONES EN CUANTO A LA GARANTÍA**

MTD Consumer Group Inc, la Agencia de Protección Medioambiental de los Estados Unidos (EPA), y para aquellos productos certificados para su venta en el estado de California, el Departamento de los Recursos del Aire de California (CARB) se complacen en explicar la garantía que evaporativo sistema de control de emisiones (ECS) de su equipo (equipos de exteriores) de encendido por chispa para todo terreno, pequeño, de exteriores del año 2014-2015. En California, los nuevos motores de equipos de exteriores deben estar diseñados, construidos y equipados para cumplir con las estrictas normas antipolución del Estado (en otros estados, equipos de exteriores deben ser estar diseñados, construidos y equipados para cumplir con las regulaciones de motores de encendido por chispa para todo terreno pequeños de la Agencia de Protección Medioambiental de los Estados Unidos, (EPA). MTD Consumer Group Inc. debe garantizar el sistema de control de emisiones (ECS) de su motor de equipos de exteriores por el período de tiempo indicado más abajo, siempre y cuando no exista uso incorrecto, negligencia o mantenimiento inadecuado de equipos de exteriores.

Su ECS puede incluir piezas tales como el los depósitos de combustible, las líneas de combustible, los tapones de combustible, las válvulas, contenedores, filtros, mangueras de vapor, abrazaderas, conectores y otros componentes afines relacionados con las emisiones.

Donde exista una condición cubierta por la garantía, MTD Consumer Group Inc. reparará de equipos de exteriores sin costo alguno incluyendo el diagnóstico, las piezas y la mano de obra.

### **COBERTURA DE LA GARANTÍA DEL FABRICANTE:**

Este sistema de control de emisiones se garantiza por el término de dos años. Si alguna pieza relacionada con las emisiones de su motor de equipos de exteriores es defectuosa, MTD CONSUMER GROUP INC. reparará o sustituirá dicha pieza.

### **RESPONSABILIDADES DEL PROPIETARIO SEGÚN LA GARANTÍA:**

En su carácter de propietario de equipos de exteriores, usted es responsable del mantenimiento requerido que se especifica en el manual del propietario. MTD Consumer Group Inc le recomienda que conserve todos los recibos que cubren el mantenimiento de equipos de exteriores, obstante lo cual MTD Consumer Group Inc no podrá denegar el cumplimiento de la garantía únicamente por la falta de los recibos.

Como propietario de equipos de exteriores, usted debe saber que MTD Consumer Group Inc. puede denegar la cobertura de la garantía si su equipos de exteriores o una pieza del mismo fallan debido a uso incorrecto, negligencia, mantenimiento indebido o a modificaciones no aprobadas.

Usted es responsable de presentar su equipos de exteriores al centro de distribución o servicio técnico de MTD Consumer Group Inc. tan pronto como aparezca el problema. Las reparaciones cubiertas por la garantía se deben llevar a cabo en un lapso razonable que no exceda de 30 días. Si tiene alguna pregunta respecto de la cobertura de la garantía, póngase en contacto con el Departamento del Servicio Técnico de MTD Consumer Group Inc. al teléfono 1-800-800-7310 o por correo electrónico en <http://support.mtdproducts.com>.

### **COBERTURA DE LA GARANTÍA DE EMISIONES GENERALES:**

MTD Consumer Group Inc garantiza al comprador final y a cada comprador subsiguiente que el equipos de exteriores: está diseñado, construido y equipado de modo de cumplir con todas las regulaciones aplicables y que se encuentra libre de defectos de materiales y de fabricación que pudieren causar la falla de una pieza garantizada idéntica, en todos los aspectos materiales a la pieza descrita en la solicitud de certificación de MTD Consumer Group Inc.

El período de garantía comienza en la fecha de entrega del equipos de exteriores al comprador final o en la fecha en que la máquina se pone en funcionamiento por primera vez. El período de garantía es de dos años.

Sujeto a ciertas condiciones y exclusiones que se indican a continuación, la garantía de las piezas relacionadas con las emisiones es la siguiente:

1. Cualquier pieza garantizada que no esté programada para ser reemplazada como parte del mantenimiento requerido en las instrucciones escritas suministradas se garantiza por el período de garantía arriba mencionado. Si la pieza falla durante el período de cobertura de la garantía, la misma será reparada o reemplazada por MTD Consumer Group Inc. de acuerdo con el párrafo (4) a continuación. Cualquier pieza reparada o reemplazada según la garantía se garantizará por el resto del período de garantía.
2. Cualquier pieza garantizada que esté programada solamente para inspección regular en las instrucciones escritas suministradas se garantiza por el período de garantía arriba mencionado. Cualquier pieza reparada o reemplazada según la garantía se garantizará por el resto del período.
3. Cualquier pieza garantizada que esté programada para reemplazo según el mantenimiento requerido de conformidad con las instrucciones escritas suministradas, se garantiza por el período de tiempo anterior a la primera fecha de reemplazo programada para esa pieza. Si la pieza falla antes del primer reemplazo programado, la misma será reparada o reemplazada por MTD Consumer Group Inc. de acuerdo con el párrafo (4) a continuación. Cualquier pieza reparada o reemplazada bajo garantía se garantizará por el resto del período anterior al primer reemplazo programado puntual para esa pieza.
4. La reparación o el reemplazo de cualquier pieza garantizada de conformidad con las disposiciones de la garantía que aquí se estipula se deben realizar en un centro de garantía sin costo alguno para el propietario.
5. No obstante las disposiciones que aquí se estipulan, los servicios o reparaciones bajo garantía se suministrarán en todos nuestros centros de distribución bajo franquicia de mantenimiento para los motores o equipos en cuestión.
6. El propietario de equipos de exteriores no deberá pagar el trabajo de diagnóstico directamente asociado con una pieza garantizada defectuosa en relación con las emisiones, siempre y cuando dicho trabajo de diagnóstico se realice en un centro cubierto por la garantía.
7. MTD Consumer Group Inc es responsable por daños causados a otros componentes de motores o equipos derivados de la falla bajo garantía de cualquier pieza garantizada.

8. Durante la totalidad del período de garantía del motor y equipo para todo terreno arriba mencionado, MTD Consumer Group Inc mantendrá un suministro de piezas bajo garantía suficiente para satisfacer la demanda esperada de tales piezas.
9. Cualquier pieza de reemplazo se podrá usar para el cumplimiento del mantenimiento o las reparaciones bajo garantía y se suministrarán sin cargo para el propietario. Dicho uso no reducirá las obligaciones de garantía de MTD Consumer Group Inc.
10. No se podrán usar piezas adicionales ni modificadas que no estén exentas de acuerdo con el Departamento de los Recursos del Aire (Air Resources Board). El uso de cualquier pieza adicional o modificada no exenta por el comprador final será causal de invalidez de los reclamos bajo garantía. MTD Consumer Group Inc no tendrá responsabilidad por la garantía de fallas de piezas garantizadas que fueren causadas por el uso de una pieza adicional no exenta o modificada.

### **PIEZAS GARANTIZADAS:**

La reparación o el reemplazo de cualquier pieza garantizada que de otro modo pudiese estar cubierta por la garantía podrá ser excluida de tal cobertura de garantía si MTD Consumer Group Inc demuestra que el equipo de exteriores es objeto de uso incorrecto, negligencia o mantenimiento inadecuado, y que tal uso incorrecto, negligencia o mantenimiento inadecuado fue causa directa de la necesidad de reparación o reemplazo de dicha pieza. No obstante lo antedicho, cualquier ajuste de un componente con un dispositivo de limitación de ajuste instalado en fábrica y que funcione adecuadamente, podrá ser cubierto por la garantía. Además, la cobertura bajo esta garantía se extiende solo a piezas que estuvieron presentes en y equipo todo terreno adquiridos.

Están cubiertas las siguientes piezas con garantía para emisiones (de corresponder):

1. Sistema de medición de combustible
  - Bomba de combustible
  - Depósito de combustible
2. Control evaporativo
  - Manguera de combustible
  - Abrazaderas de la manguera de combustible
  - Tapón del combustible atado por correa
  - Caja de carbono
  - Líneas de vapor

# GARANTÍA LIMITADA DEL FABRICANTE PARA



La siguiente garantía limitada es otorgada por Troy-Bilt LLC con respecto a nuevos productos adquiridos y utilizados en Estados Unidos y/o sus territorios y posesiones, y por MTD Products Limited con respecto a nuevos productos adquiridos y utilizados en Canadá y/o sus territorios y posesiones (cualquiera de las dos entidades, respectivamente, "Troy-Bilt").

Esta garantía es adicional a la garantía de emisiones aplicables proporcionada con el producto.

"Troy-Bilt" garantiza este producto (excluidas *las Piezas y Accesorios con Desgaste Normal* según se describe más abajo) contra defectos en los materiales y mano de obra por un período de dos (2) años a partir de la fecha de compra original y, a su opción, reparará o reemplazará, sin costo alguno, cualquier pieza que presente defectos en los materiales o de mano de obra. Esta garantía limitada sólo se aplicará si el producto ha sido operado y mantenido de acuerdo con las instrucciones del Manual del Operador que se proporciona con el producto y no ha sido sujeto a uso inapropiado, abuso, uso comercial, abandono, accidente, mantenimiento incorrecto, alteración, vandalismo, robo, incendio, inundación o algún daño debido a otro peligro o desastre natural. El daño resultante por la instalación o el uso de piezas, accesorios o aditamentos no aprobados por Troy-Bilt para su uso con el(los) producto(s) incluido(s) en este manual anulará la garantía en lo que respecta a esos daños.

Se garantiza que *las Piezas con Desgaste Normal* están libres de defectos en los materiales y mano de obra por un período de treinta (30) días a partir de la fecha de compra. Las piezas sujetas a desgaste normal incluyen pero no se limitan a: baterías, correas, cuchillas, adaptadores para cuchillas, dientes, bolsas para pasto, ruedas, ruedas para la plataforma de la podadora tractor, asientos, zapatas antideslizantes, ruedas de fricción, placas de raspado, gomas helicoidales y neumáticos.

**Accesorios** — Troy-Bilt garantiza que los accesorios de este producto están libres de defectos de material y mano de obra durante un período de un (1) año a partir de la fecha de compra o arrendamiento original del accesorio. Los accesorios incluyen, pero no se limitan a elementos tales como: colectores de césped y kits para abono.

**CÓMO SOLICITAR Y OBTENER SERVICIO TÉCNICO:** El servicio de la garantía está disponible, CON COMPROBANTE DE COMPRA, a través de su distribuidor local autorizado para el mantenimiento. Para localizar al distribuidor de su zona:

## **En Estados Unidos de América**

Consulte las páginas amarillas, o póngase en contacto con Troy-Bilt LLC en P.O. Box 361131, Cleveland, Ohio 44136-0019, llame al 1-866-840-6483, o visite nuestro sitio web en [www.troybilt.com](http://www.troybilt.com).

## **En Canadá**

Póngase en contacto con MTD Products Limited, Kitchener, ON N2G 4J1, llame al 1-800-668-1238 ó visite nuestro sitio web en [www.mtdcanada.com](http://www.mtdcanada.com).

Esta garantía limitada **no** suministra cobertura en los siguientes casos:

- El motor o las piezas que lo componen. Estos productos pueden tener garantía del fabricante por separado. Consulte los términos y condiciones de la garantía aplicable del fabricante.
- Las bombas, válvulas y cilindros del rompetroncos tienen una garantía separada de un año.

- Los artículos necesarios para el mantenimiento de rutina como por ejemplo lubricantes, filtros, afiladores de cuchillas, sincronización del motor, los ajustes de los frenos, del embrague o de la plataforma y el deterioro normal del acabado exterior debido al uso o exposición.
- Mantenimiento no realizado por el distribuidor de servicio autorizado.
- Troy-Bilt no extiende ninguna garantía para los productos vendidos o exportados fuera de los Estados Unidos de América y/o Canadá, y sus respectivas posesiones y territorios, excepto para aquellos vendidos a través de los canales autorizados de distribución de exportaciones de Troy-Bilt.
- Piezas de reemplazo que no son piezas originales de Troy-Bilt.
- Gastos de transporte y visitas técnicas.
- Troy-Bilt no garantiza este producto para uso comercial.

**No existe ninguna garantía implícita, incluyendo cualquier garantía implícita de comerciabilidad o adaptabilidad para un propósito en particular, una vez transcurrido el período aplicable de garantía escrita según lo antedicho en relación con las piezas identificadas. Ninguna otra garantía expresa, ni oral ni escrita, excepto la mencionada anteriormente, extendida por personas reales o jurídicas, incluidos los distribuidores o los minoristas con respecto a cualquier producto, obligará a Troy-Bilt. Durante el plazo de la garantía el único recurso es la reparación o reemplazo del producto como se indicó anteriormente.**

**Las disposiciones de esta garantía cubren el recurso de reparación única y exclusiva que surge de la venta. Troy-Bilt no se hará responsable de ninguna pérdida o daño incidental o resultante, incluyendo sin limitación, los gastos incurridos para los servicios de mantenimiento del césped, o los gastos de arrendamiento para reemplazar de manera transitoria un producto bajo garantía.**

Algunos estados no permiten la exclusión o limitación de los daños y perjuicios incidentales o directos, o las limitaciones sobre la duración de las garantías implícitas, por lo que las exclusiones o limitaciones mencionadas anteriormente pueden no ser de aplicación.

En ningún caso se obtendrá una compensación de ningún tipo por un monto mayor al precio de compra del producto vendido. **La alteración de las características de seguridad del producto anulará esta garantía.** Usted asume el riesgo y la responsabilidad de las pérdidas, daños o lesiones que sufran usted y sus bienes y/u otras personas y sus bienes como resultado del uso incorrecto o de la falta de capacidad para usar este producto.

Esta garantía limitada cubre solamente al comprador original, o a la persona que recibió el producto de regalo.

## **CÓMO SE RELACIONA LA LEGISLACIÓN ESTATAL CON ESTA**

**GARANTÍA:** Esta garantía limitada le otorga derechos legales específicos y usted también puede tener otros derechos que varían de un estado a otro.

**IMPORTANTE:** El propietario debe presentar comprobante de compra original para obtener la cobertura de la garantía.

**Troy-Bilt LLC, P.O. BOX 361131 CLEVELAND, OHIO 44136-0019, Teléfono: 1-866-840-6483, 1-330-558-7220  
MTD Canada Limited - KITCHENER, ON N2G 4J1; teléfono 1-800-668-1238**