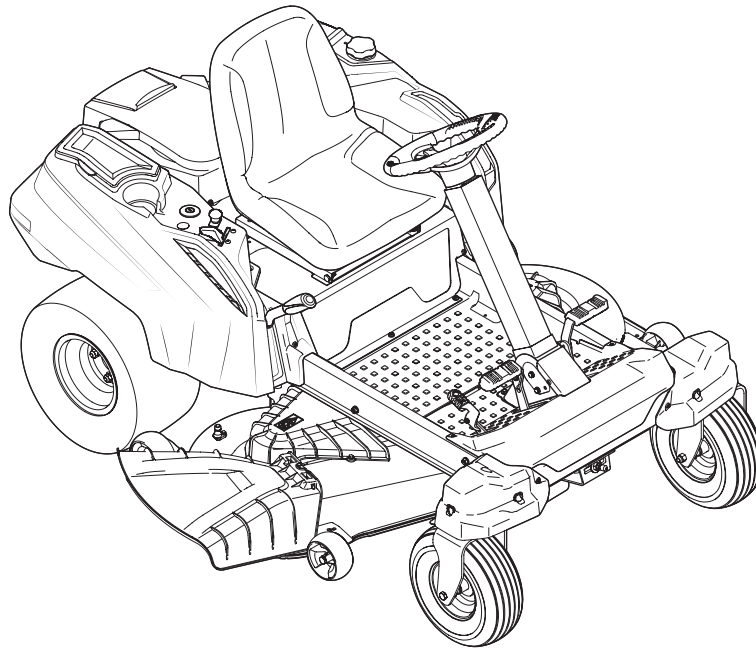




ILLUSTRATED PARTS MANUAL



Pivot S

TROY-BILT LLC, P.O. BOX 361131 CLEVELAND, OHIO 44136-0019

To The Owner

Thank You

Thank you for purchasing an MTD Zero-Turn Tractor. It was carefully engineered to provide excellent performance when properly operated and maintained.

All information in this manual is relative to the most recent product information available at the time of printing. Please be aware that this Illustrated Part's Manual may cover a range of product specifications for various models.

Components listed and/or illustrated in this manual may not be applicable to all models. We reserve the right to change product specifications, designs and equipment without notice and without incurring obligation.

Throughout this manual, all references to *right* (RH) and *left* (LH) are observed from the operating position.

Table of Contents

Drive System	4	Front Axle.....	13
Frame & Electrical	6	Steering Column & Pedal Controls	14
Fuel Tank.....	8	Steering Linkage.....	16
Engine Accessories (Kohler).....	9	46" Deck	18
Deck Lift	10	54" Deck	20
Operator's Platform.....	11	Electrical Schematic.....	22
Seat Adjustment.....	12		

Record Product Information

To ease in ordering replacement parts, please locate the model plate on the equipment and record the information in the provided area to the right. You can locate the model plate by looking beneath the seat.

MODEL NUMBER

--	--	--	--	--	--	--	--	--	--	--

SERIAL NUMBER

--	--	--	--	--	--	--	--	--	--	--

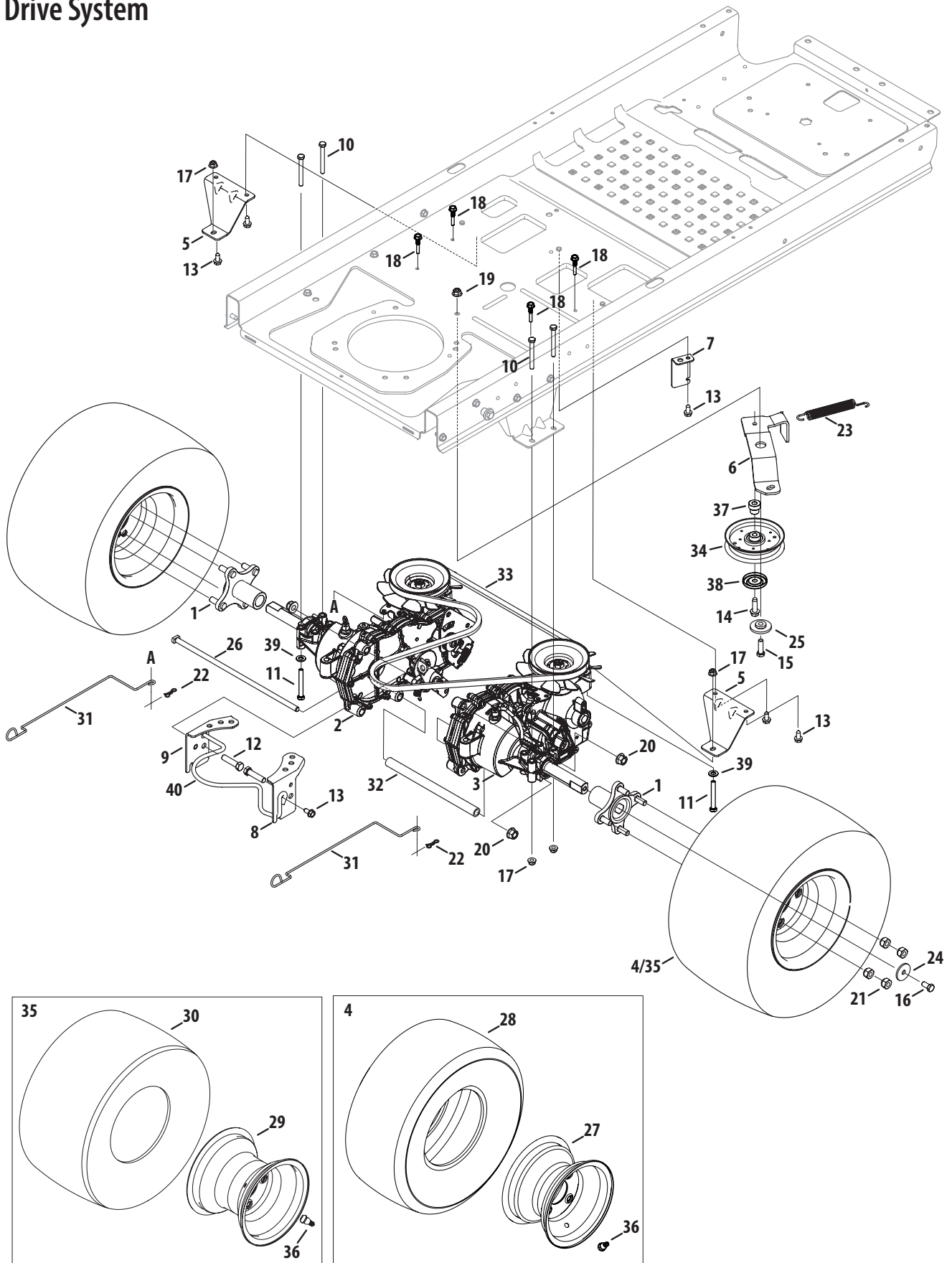
Painted Parts

When ordering painted service parts, a four digit color suffix must be added to the part number (e.g. 783-XXXX-0637). Please refer to the table below for current color codes:

0637	Black	0674	Yellow (Yard-Man)
0709	Dark Green (Bolens, Yard-Man)	0650	Metallic Red (White Outdoor)
0662	Oyster Gray (MTD Gold)	0629	Silver Flake (MTD Platinum)
0638	Red (Yard Machines, Huskee, Troy-Bilt, MTD)	04038	Day Orange (Daedong)
0691	Black Jack (MTD Gold, MasterCut)	04033	Flint Mica (Troy-Bilt XP)

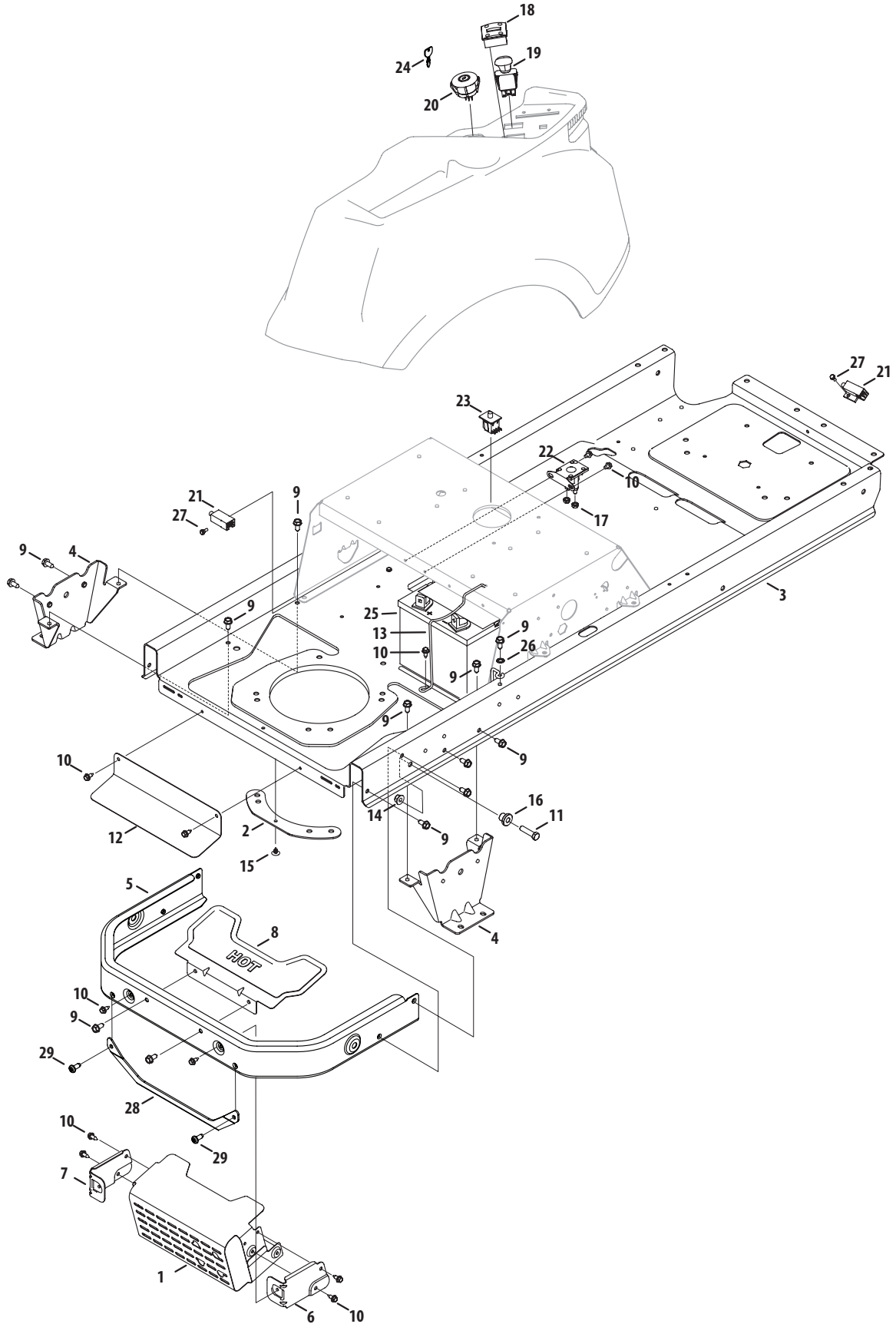
This page left intentionally blank.

Drive System



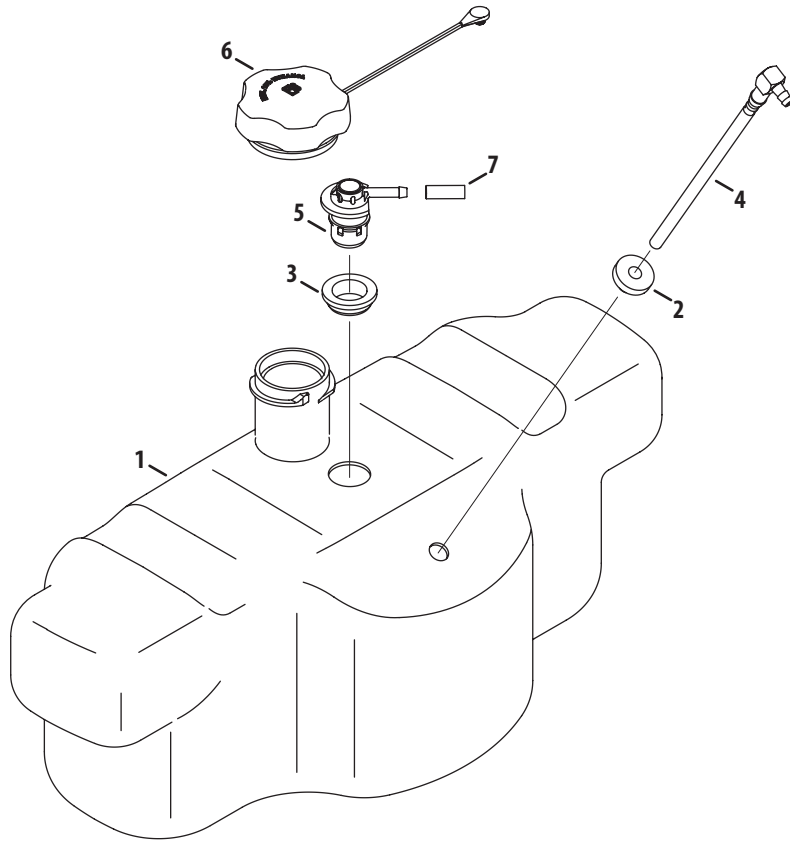
Ref.	Part Number	Description
1	918-04317	Wheel Hub Assembly
2	918-06996	Transmission Assembly, LH
3	918-06997	Transmission Assembly, RH
4	634-04293-0911	Complete Wheel, 18 x 8.5-8 (46")
5	703-08570	Transmission Mounting Bracket
6	703-08605	Idler Bracket
7	703-08613A	Spring Mounting Bracket
8	703-08614A	Transmission Bracket
9	703-08615A	Transmission Bracket
10	710-0176	Hex Screw, 5/16-18 x 2.75
11	710-0395	Hex Screw, 5/16-18 x 2.25
12	710-04092	Hex Screw, 7/16-20 x 1.75
13	710-04484	Hex Washer Screw, 5/16-18 x .750
14	710-1315	Hex Washer Screw, 3/8-16 x 1.250
15	710-0514	Hex Screw, 3/8-16 x 1.00
16	710-3119	Hex Screw, 3/8-16 x .75
17	712-04063	Flange Lock Nut, 5/16-18
18	711-06112	Keeper Rod, .25 x 1.535
19	912-3020	Jam Lock Nut, 3/8-16
20	712-0459	Flange Lock Nut, 7/16-20
21	712-3050	Lug Nut, 7/16-14
22	714-04040	Bow-Tie Cotter Pin
23	732-04229	Extension Spring, .75 Dia. x 6.02
24	936-0227	Flat Washer, .390 x 1.50 x .134
25	738-04162C	Shoulder Spacer, .884 x .190
26	738-04192B	Rod, .405 Dia. x 14.0 LG
27	603-04173-0662	Rim Only, (46")
28	734-04246-0901	Tire Only, 18 x 8.5-8 (46")
29	603-04175-0662	Rim Only, (54")
30	734-1729-0901	Tire Only, 18 x 9.5-8 (54")
31	747-05657A	Bypass Rod
32	750-04561A	Tube, .51 ID x .75 OD x 10.2
33	954-04317A	Belt, A-Type x 67.0
34	756-05042	Idler Pulley, 4.25 Dia.
35	634-04128-0911	Complete Wheel, 18 x 9.5-8 (54")
36	934-0255	Valve Tubeless
37	748-05029A	Shoulder Spacer
38	783-08389	Pulley Cap
39	936-0264	Flat Washer, .330 x .630 x .064
40	747-06044	Engine Keeper Rod

Frame & Electrical



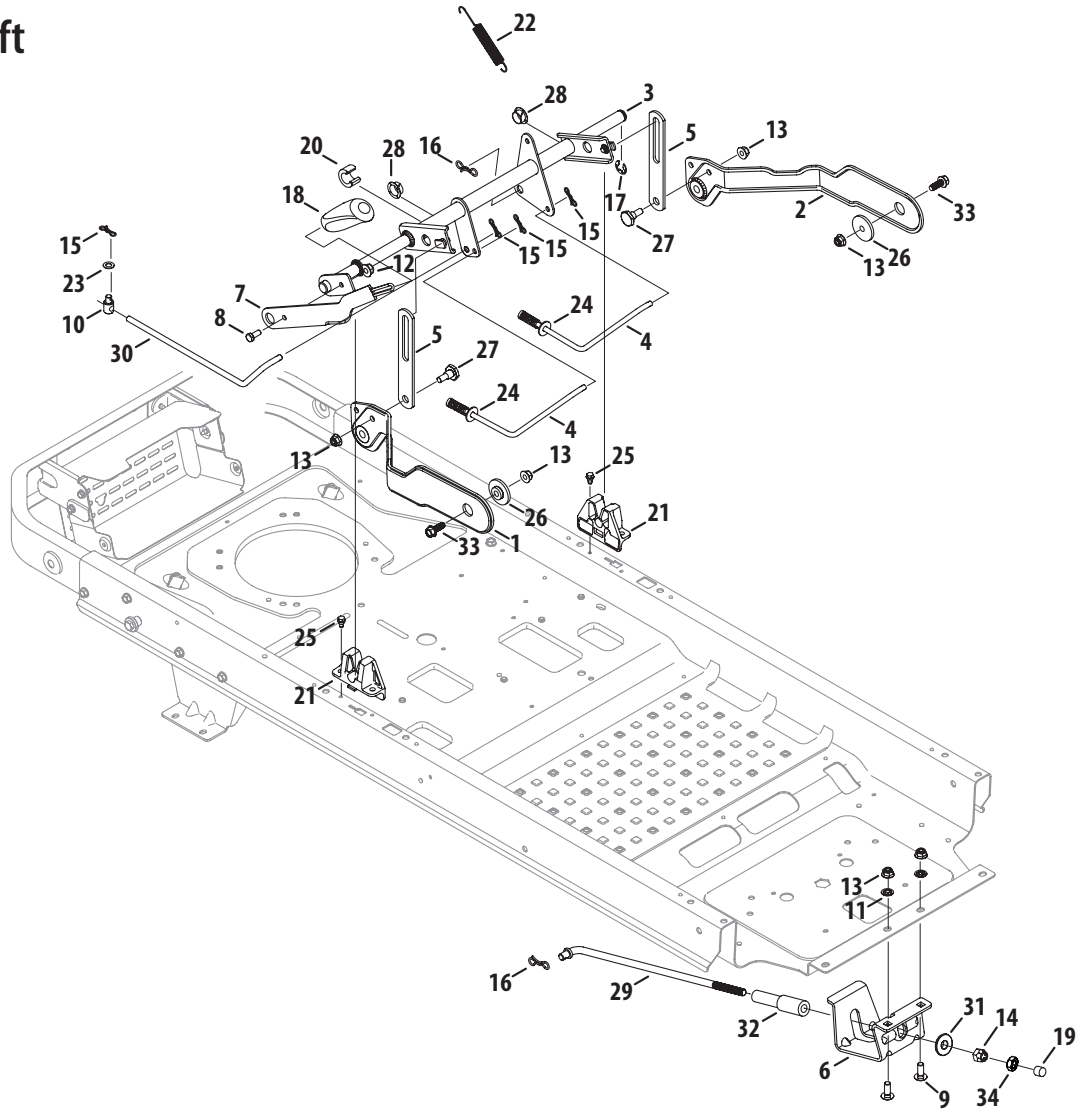
Ref	Part Number	Description
1	603-05156A	Muffler Shield Assembly
2	703-05383B	Retainer Plate
3	703-09578B	Frame Assembly
4	703-08555	Transmission Mounting Bracket
5	703-08558B	Rear Bumper
6	703-08671A	Muffler Mounting Shield Bracket, RH
7	703-08695	Muffler Mounting Shield Bracket, LH
8	703-09083	Muffler Shield
9	710-04484	Hex Washer Screw, 5/16-18 x .750
10	710-1652	Hex Washer Screw, 1/4-20 x .625
11	710-3005	Hex Screw, 3/8-16 x 1.25
12	703-09195	Lower Heat Shield
13	747-05685	Battery Rod
14	712-04065	Flange Lock Nut, 3/8-16
15	726-04072A	Clip, .250 Dia. x .500 LG
16	738-04058	Shoulder Spacer, .38 x 1.0 x .70
17	712-04064	Flange Lock Nut, 1/4-20
18	925-06170	Hour Meter/Service Minder
19	925-3233	Electric PTO Switch
20	725-06102A	Key Switch
21	725-04363	Interlock Switch
22	725-06153	Solenoid
23	925-05013	Seat Switch
24	625-05002	Key, Assembly
25	925-1707D	Battery
26	736-0607	Lock Washer, 5/16
27	738-04237A	Shoulder Screw, #10-32 x .500
28	703-09884	Rear Muffler Shield Bracket
29	710-06096	Screw, Self-Tapping, 5/16-18, 0.750
—	925-06074A	Harness Assembly

Fuel Tank



Ref.	Part Number	Description
1	951-05137	Fuel Tank
2	935-0149	Fuel Tank Bushing
3	735-04081	Rubber Grommet
4	751-10442	Fuel Pickup Fitting
5	751-12118	Rollover Valve
6	951-12179B	Fuel Cap
7	751-12089-51	Vent Hose

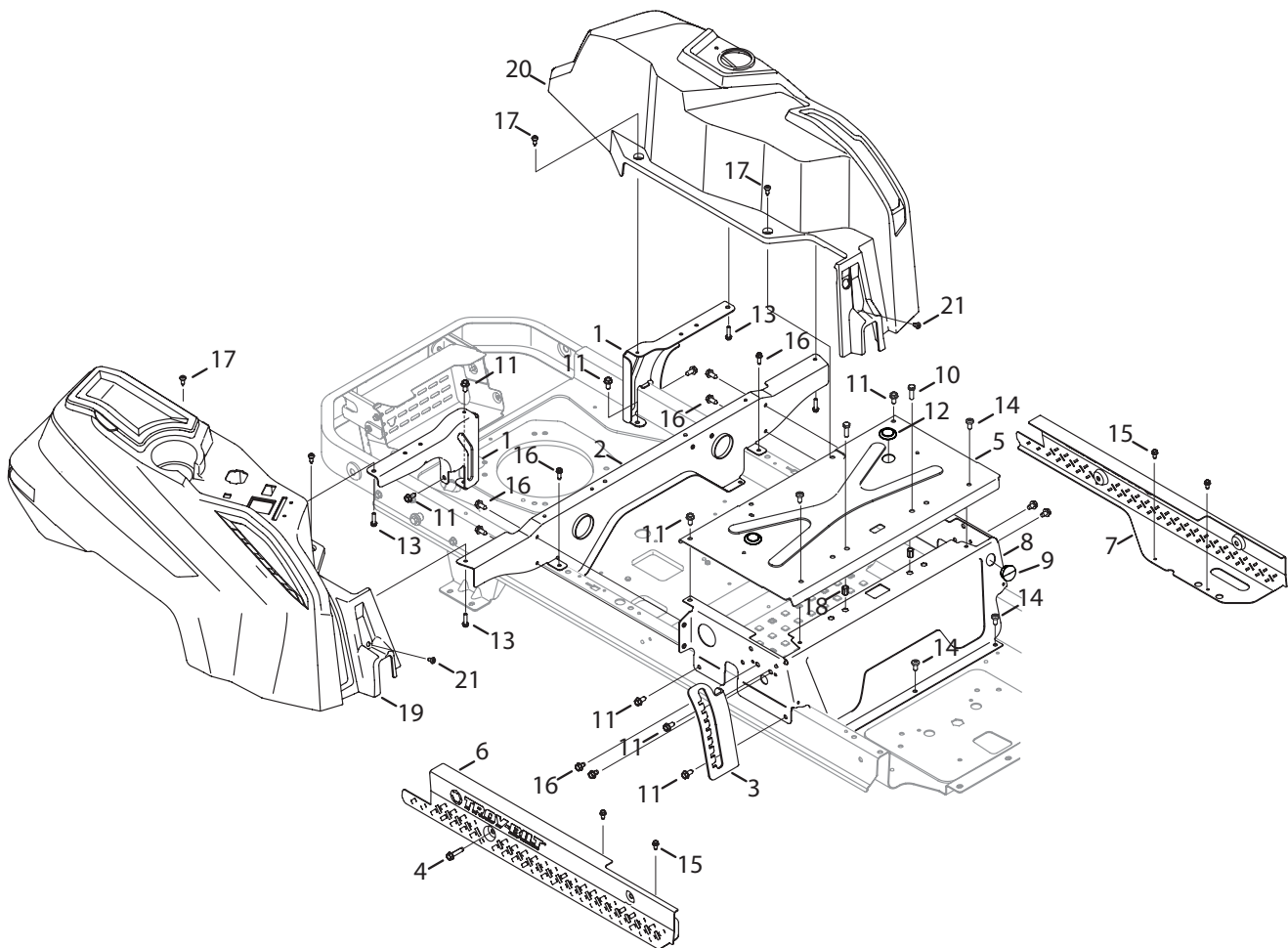
Deck Lift



Ref	Part Number	Description
1	603-05107B	Deck Lift Plate, RH
2	603-05108B	Deck Lift Plate, LH
3	903-05137	Deck Lift Shift Assembly
4	647-04267	Brake Rod Assembly
5	703-08591A	Lift Link Plate
6	703-08644	Rod Support Mounting Bracket
7	703-09621	Deck Lift Handle
8	710-3008	Hex Cap Screw, 5/16-18 x .75
9	710-3168	Carriage Bolt, 3/8-16 x 1.00
10	911-0832	Ferrule, 3/8-24 x .375
11	712-0229	Push Nut, 3/8
12	712-04063	Flange Lock Nut, 5/16-18
13	712-04065	Flange Lock Nut, 3/8-16
14	712-05046	Hex Nut, 1/2-13
15	714-04040	Bow-Tie Cotter Pin
16	714-05005	Bow-Tie Cotter Pin
17	916-0231	E-Type Ring, .750

Ref	Part Number	Description
18	720-04139B	Grip, .50 ID
19	726-05009	End Cap
20	731-05297	Spacer, .76 ID x .750 LG
21	731-08782	Deck Lift Bracket
22	732-04587	Extension Spring, .63 Dia. x 4.95 LG
23	936-0314	Washer, .375 x .700 x .030
24	736-3078	Flat Washer, .344 x 1.00 x .063
25	738-04278	Shoulder Screw, .500 x 1/4-20
26	738-05029	Shoulder Spacer, .854 x .232
27	938-0507B	Shoulder Screw, .500 Dia. x .434
28	741-3084	Flange Bearing, .751 x 1.125 x .375
29	747-05552C	Deck Lift Rod
30	747-05592B	Brake Rod
31	748-04069	Deck Lift pivot Cup
32	750-05658	Nylon Sleeve, .55 ID x 4.50 LG
33	710-04683C	Screw, 3/8-16 x 1.00
34	912-3048	Jam Nut, 1/2-13

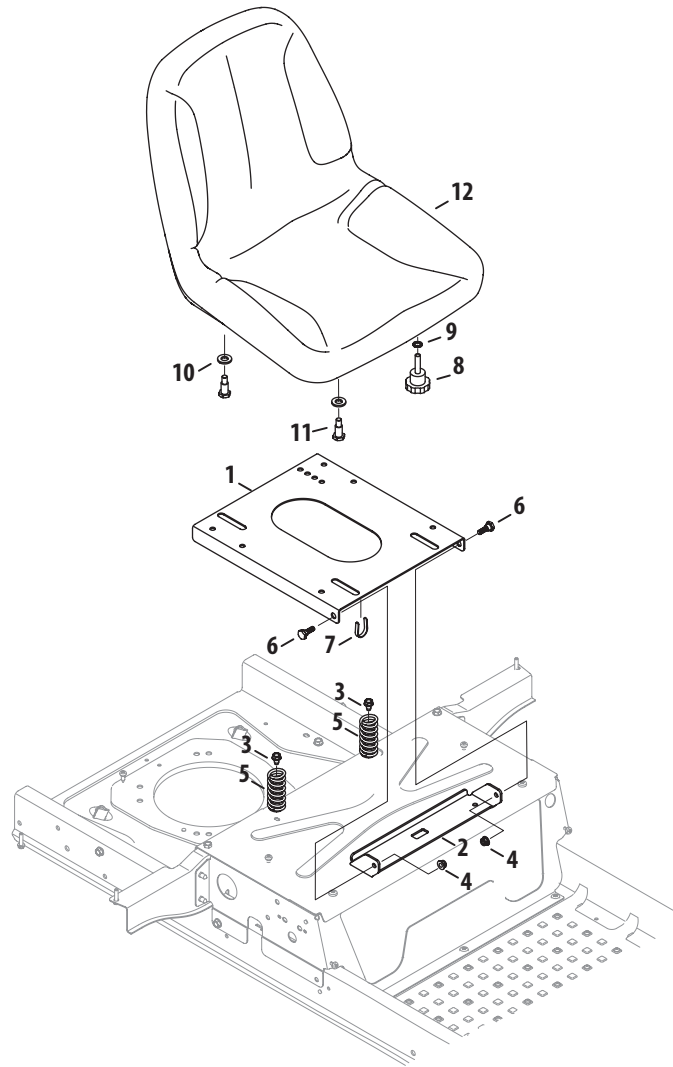
Operator's Platform



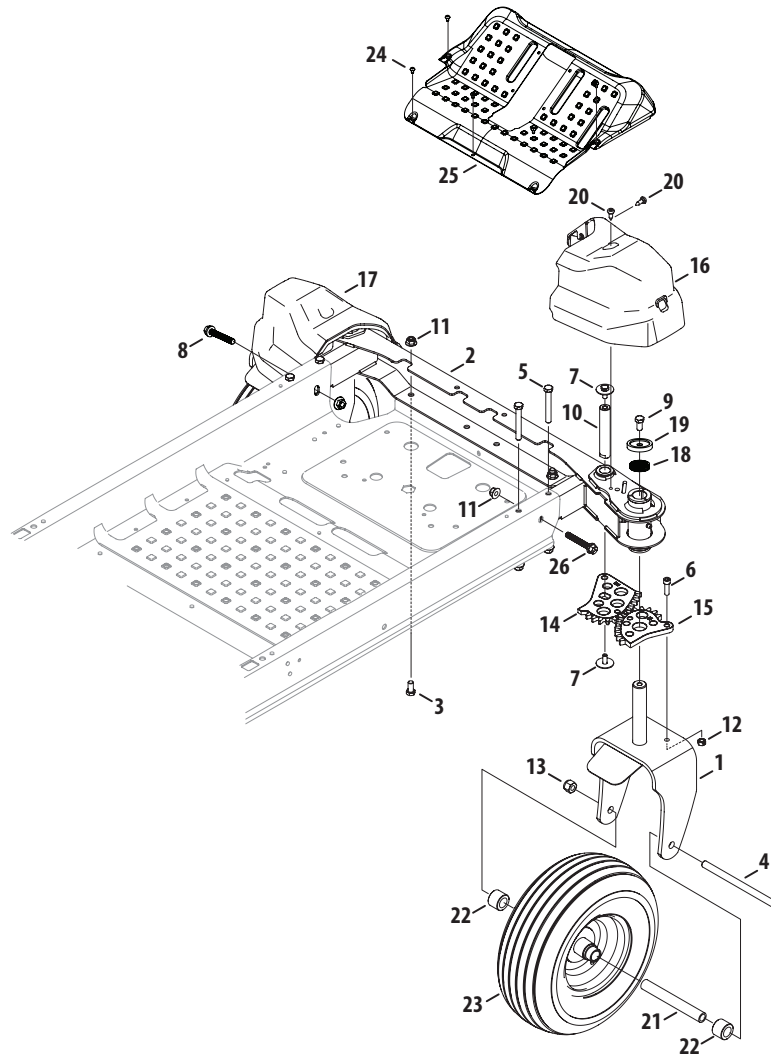
Ref.	Part Number	Description
1	703-08720A	Rear Tank Bracket
2	703-09332A	Rear Seatbox Brace
3	703-08762C	Height Index Bracket
4	710-1315	Hex Washer Screw, 3/8-16 x 1.25
5	703-09186D	Seatbox Plate
6	703-09852	Frame Support, RH
7	703-09851	Frame Support, LH
8	703-09320	Seat Frame
9	731-09477	Plastic Plug
10	710-0643	Hex Cap Screw, 5/16-18 x 1.00
11	710-04484	Hex Washer Screw, 5/16-18 x .750

Ref.	Part Number	Description
12	726-3045A	Button Plug
13	710-05109	Hex Washer Screw, 5/16-14 x 1.00
14	710-05424	Self Tapping Screw, 5/16-18 x .750
15	710-0599	Hex Washer Screw, 1/4-20 x .500
16	710-0607	Hex Washer Screw, 5/16-18 x .50
17	738-05090	Shoulder Screw, .368 x .115, M6-1
18	728-04068	Nut, 5/16-18
19	931-09335	RH Console
20	931-10106	LH Console
21	738-04549A	Shoulder Screw, 1/4-20

Seat Adjustment



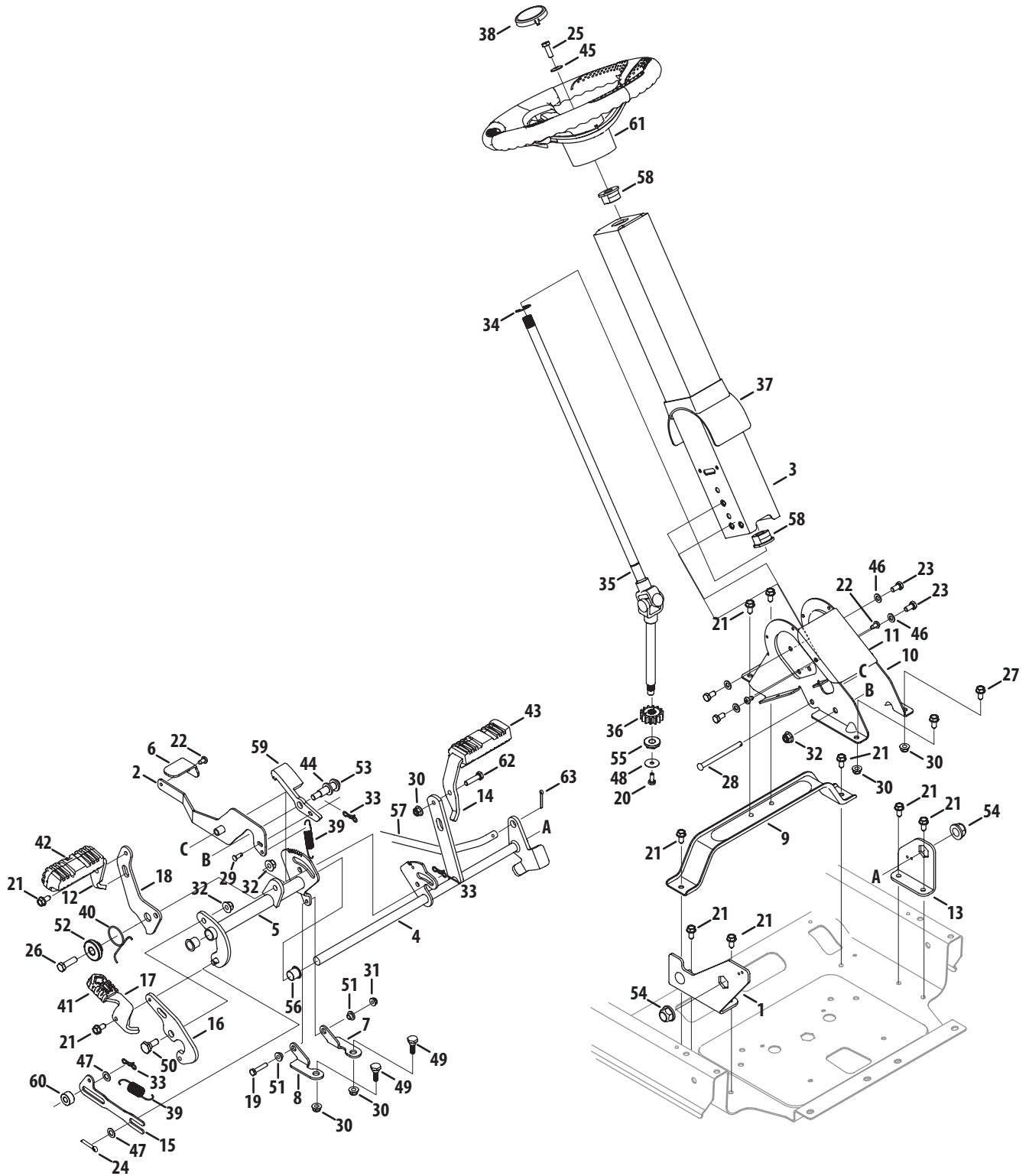
Ref.	Part Number	Description
1	703-09603A	Seat Mount Bracket
2	703-09633	Seat Bracket
3	710-1260A	Hex Washer Screw, 5/16-18 x .750
4	712-04063	Flange Lock Nut, 5/16-18
5	732-04035	Spring, Compression, 1.28 OD x 3.125 Lg
6	938-0296	Shoulder Screw, .437 x .268, 5/16-18
7	783-06448	Clip
8	731-05131	Knob Assembly
9	736-0148	External Tooth Lock Washer, 3/8
10	936-0326	Flat Washer, .510 x 1.00 x .125
11	938-0145	Shoulder Screw, 3/8-16
12	757-05004	Seat



Ref.	Part Number	Description
1	603-05059C	Caster Wheel Bracket
2	903-05106	Front Axle
3	710-0216	Hex Cap Screw, 3/8-16 x .75
4	710-04652	Bolt, 1/2-20 x 7.25
5	710-04656A	Screw, 3/8-16 x 2.75
6	710-05398	Socket Head Screw, 5/16-18 x 1.00
7	710-06041	Hex Cap Screw, 5/16-18 x .75
8	710-06045	Hex Flange Screw, 3/8-16 x 2.25
9	710-3119	Hex Screw, 3/8-16 x .75
10	711-06081A	Pivot Gear Steering Shaft
11	712-04217	Flange Lock Nut, 3/8-16
12	912-3009	Hex Lock Nut, 5/16-18
13	912-3058	Hex Lock Nut, 1/2-20

Ref.	Part Number	Description
14	717-04952	12-Tooth Variable Gear
15	717-05133	13-Tooth Variable Spur Gear
16	731-09291A	Axle Cover, RH
17	731-09320A	Axle Cover, LH
18	736-05033A	Wave Washer, 1.25 x 1.00 x .300
19	738-05093	Shoulder Spacer, 1.75 x .180
20	738-04549A	Shoulder Screw, 1/4-20
21	750-04775A	Spacer, .51 ID x .75 OD x 5.825
22	750-04792	Hub, .76 x 1.23 x .92 LG
23	634-04711-0931	Wheel Assembly, 13 x 5-6
24	710-05070A	Self Tapping Screw, 1/4-20 x .50
25	703-08642A	Floor Board
26	710-06093	Hex Flange Screw, 3/8-16 x 2.00

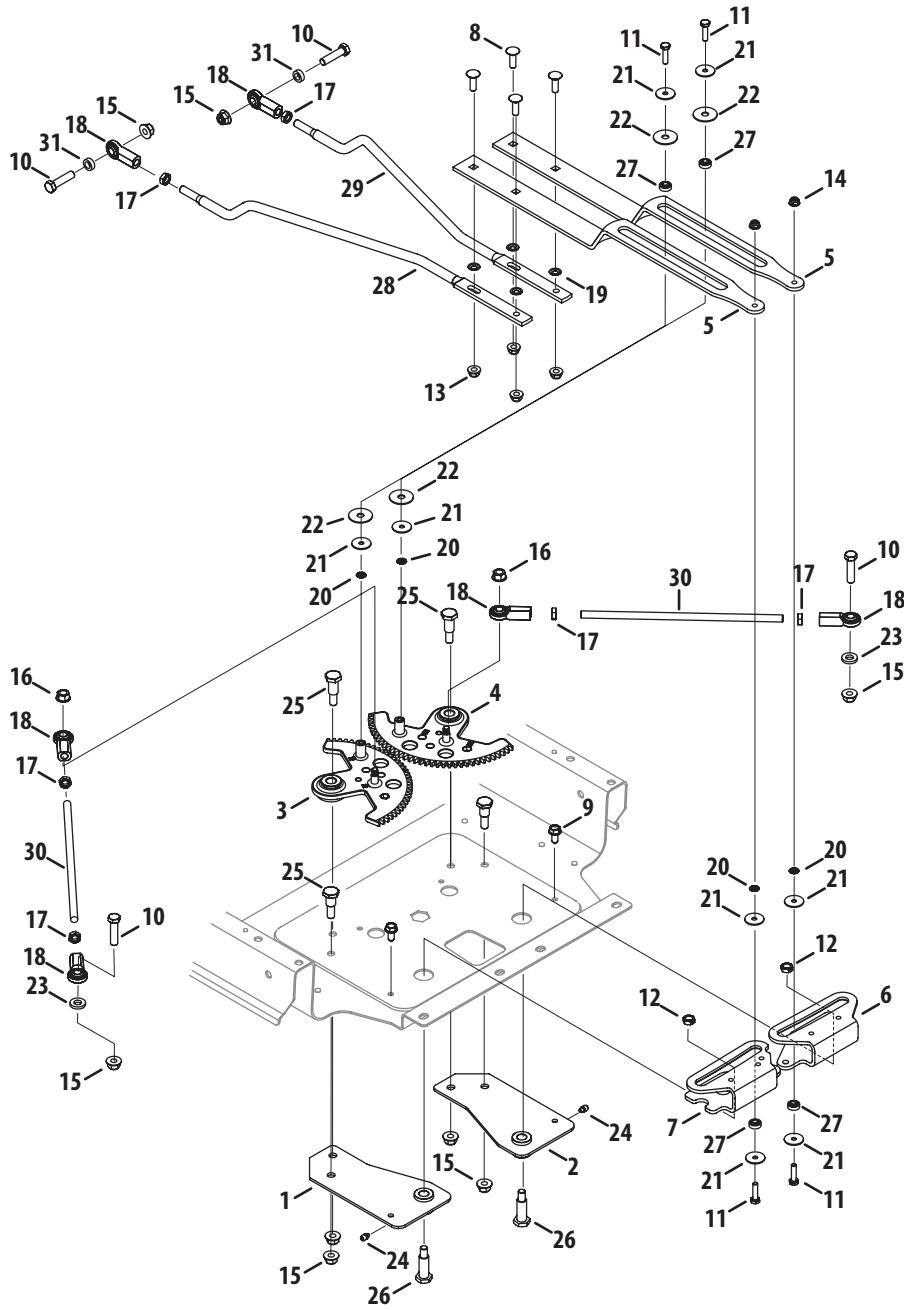
Steering Column & Pedal Controls



Steering Column & Pedal Controls

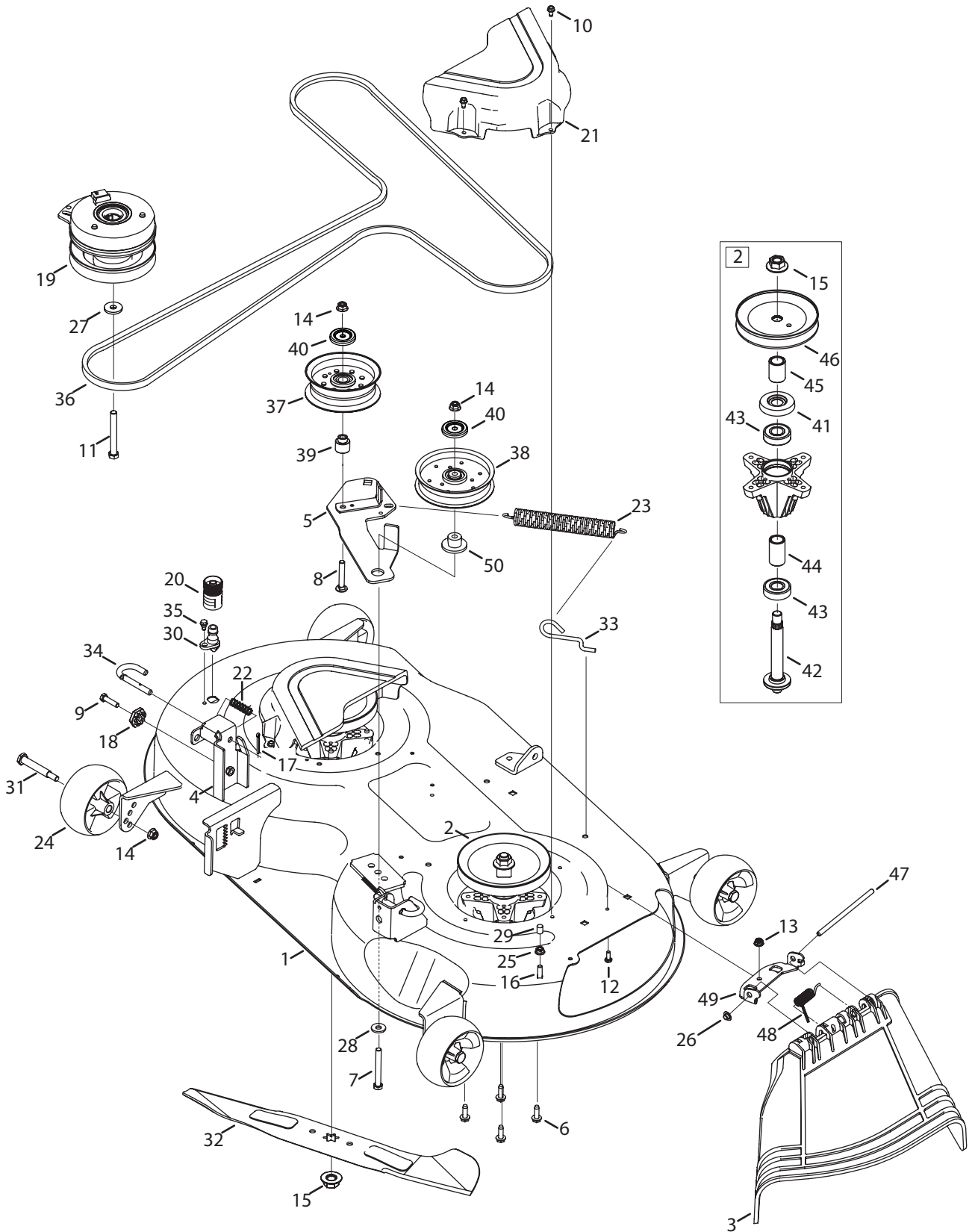
Ref.	Part Number	Description	Ref.	Part Number	Description
1	603-04931A	Support Bracket Assembly, RH	33	714-04040	Bow-Tie Cotter Pin, 72
2	603-05040	Brake Pedal Assembly	34	916-0231	E-Ring, .750
3	603-04938	Steering Column Assembly	35	717-04954	Steering Shaft
4	647-05042	Brake Pedal Assembly	36	717-04960	14-Tooth Spur Gear
5	647-04270A	Drive Pedal Assembly	37	731-07358B	Column Cover
6	703-09147	Tilt Steering Pedal	38	731-04039	Steering Wheel Cover
7	703-08604	Speed Bracket, LH	39	732-04748	Extension Spring, .70 OD x 3.035 LG
8	703-08606	Speed Bracket, RH	40	732-04949	Torsion Spring, 1.00 ID x .22
9	703-08620A	Steering Support Bracket	41	735-04117	Reverse Pedal Pad
10	703-08621A	Lower Steering Wheel Column	42	735-04118A	Forward Pedal Pad
11	703-08622	Lower Column Cover	43	735-04136	Brake Pedal Pad
12	703-08646A	Drive Pedal	44	936-0192	Flat Washer, .535 x .930 x .090
13	703-08656	Support Bracket, LH	45	736-0242	Bell Washer, .340 x .872 x .060
14	703-08675	Brake Pedal	46	936-0264	Flat Washer, .330 x .630 x .064
15	703-08678B	Return to Neutral Link	47	936-0314	Thrust Washer, .375 x .700 x .030
16	703-08690	Reverse Pedal Bracket	48	736-3092	Flat Washer, .265 x 1.00 x .030
17	703-08694A	Reverse Pedal	49	938-0296	Shoulder Screw, 5/16-18 x .437 x .268
18	703-08754A	Forward pedal Bracket	50	938-0380	Shoulder Bolt, 3/8-16 x .500 x .270
19	710-0106	Hex Head Screw, 1/4-20 x 1.25	51	738-04483	Shoulder Spacer, .375 x .625 x .20
20	710-0433	Hex Head Screw, 1/4-20 x .625	52	738-04552A	Shoulder Spacer, 1.50 x .38 x .38
21	710-04484	Hex Washer Screw, 5/16-18 x .750	53	738-0929	Shoulder Screw, 3/8-16 x .496 x 1.445
22	710-05070A	Screw, 1/4-20 x .5	54	941-0225	Hex Flange Bearing
23	710-0538	Hex Screw, 5/16-18 x .625	55	741-04543	Hex Flange Bearing, 7/16
24	914-0474	Cotter Pin, .125 x .75	56	741-0495	Flange Bearing, .63 ID x .695 OD x .06
25	710-1245B	Hex Screw, 5/16-24 x .875	57	747-05654A	Front Brake Rod
26	710-3005	Hex Screw, 3/8-16 x 1.25	58	948-0209	Flange Bearing, .63 ID x 1.50
27	710-3008	Hex Screw, 5/16-18 x .75	59	748-04203	Cruise Latch
28	711-05068A	Clevis Pin, 5/16 x 4.135	60	750-05635	Spacer, .385 ID x .875 OD x .458
29	711-05670	Clevis Pin, .224 Dia. x .625	61	631-04008B	Steering Wheel Assembly
30	712-04063	Flange Lock Nut, 5/16-18	62	710-0376	Hex Cap Screw, 5/16-18 x 1.00
31	712-04064	Flange Lock Nut, 1/4-20	63	714-0162	Cotter Pin, 5/32 x 1.25
32	712-04065	Flange Lock Nut, 3/8-16			

Steering Linkage



Ref.	Part Number	Description
1	603-04976A	Steering Plate Assembly, RH
2	603-04980A	Steering Plate Assembly, LH
3	617-05018P	Steering Gear Assembly, RH
4	617-05017P	Steering Gear Assembly, LH
5	703-08600	Control Link
6	703-08882	Speed Cam Plate, LH
7	703-08883	Speed Cam Plate, RH
8	710-0276	Carriage Screw, 5/16-18 x 1.00
9	710-04484	Hex Washer Screw, 5/16-18 x .750
10	710-0520	Hex Screw, 3/8-16 x 1.50
11	710-3220	Hex Screw, 1/4-20 x 1.00
12	712-0266A	Nut, Jamlock, 3/8-16
13	712-04063	Flange Lock Nut, 5/16-18
14	712-04064	Flange Lock Nut, 1/4-20
15	712-04065	Flange Lock Nut, 3/8-16
16	712-04339	Nut, 5/16-18, Centerlock
17	712-0711	Jam Nut, 3/8-24
18	723-04080	Female Ball-Joint
19	726-0201	Speed Nut, .3125 ID
20	726-0233	Push Nut, .25 ID x .50 OD
21	936-0211	Flat Washer, .285 x 1.25 x .060
22	736-04639	Washer, .355 x 1.25 x .048
23	736-3010	Flat Washer, .407 x .812 x .135
24	937-3000	Grease Fitting, 3/16
25	738-05046	Shoulder Screw, 3/8-16 x .625 x .875
26	738-1014	Shoulder Screw, .500 x 1.25 x 3/8-16
27	741-04425	Ball Bearing, .25 x .625
28	747-05591A	Hydro Link, RH
29	747-05606A	Hydro Link, LH
30	747-06130	Drag Link, .375 Dia.
31	950-0535	Spacer, .380 ID x .625 OD x .21

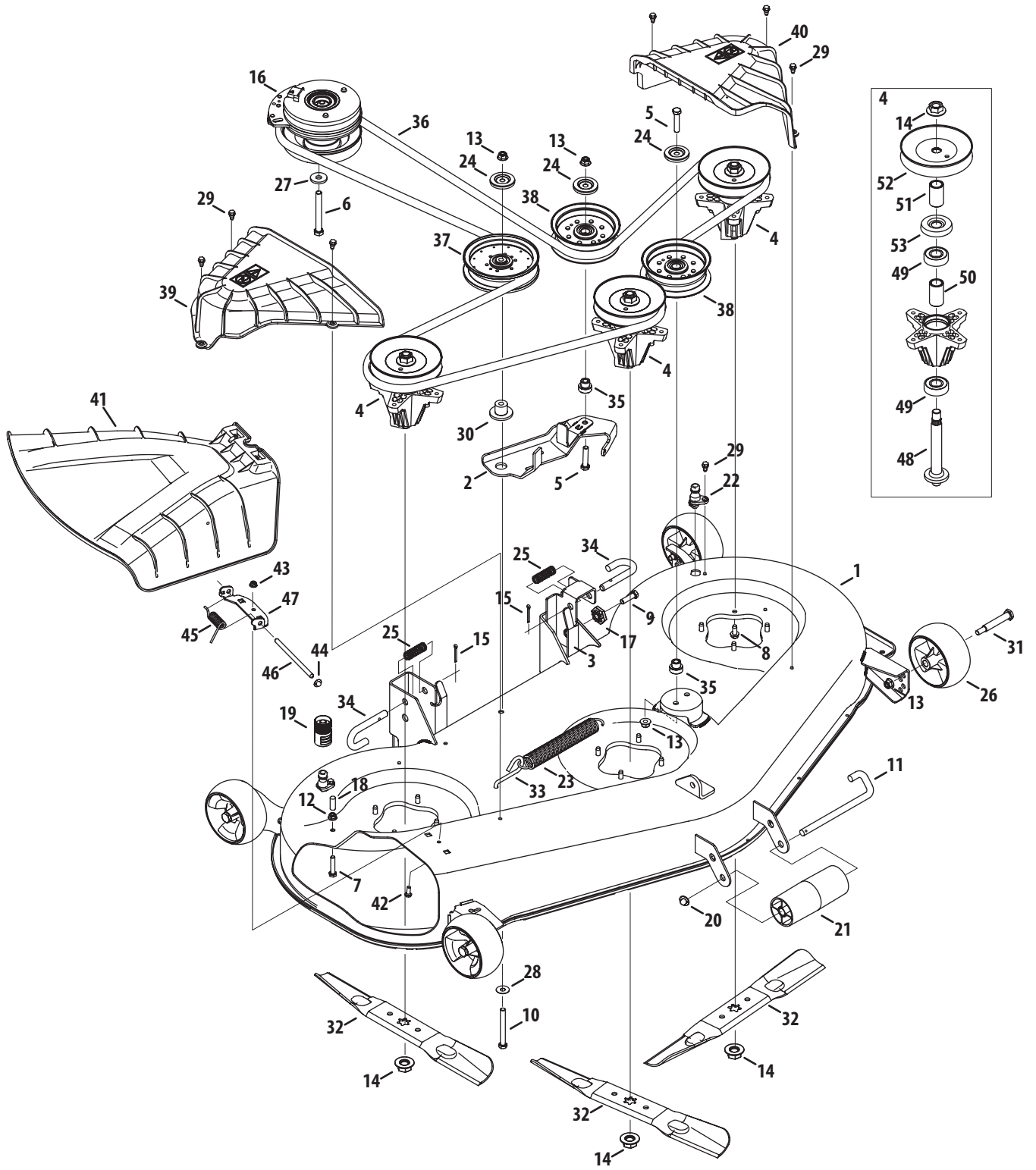
46" Deck



Ref.	Part Number	Description
1	903-05210	46"Deck Assembly
2	918-05078A	Spindle Assembly
3	631-04354B	Chute Deflector Assembly
4	603-05215	Deck Lift Bracket
5	903-05214	Deck Idler Assembly
6	710-1260A	Hex Washer Screw, 5/16-18 x .750
7	710-3085	Hex Cap Screw, 3/8-16 x 3.50
8	710-04157	Carriage Screw, 3/8-16 x 2.00
9	710-3120	Hex Flange Screw, 3/8-16
10	710-1652	Hex Washer Screw, 1/4-20 x .625
11	710-3157A	Screw, 7/16-20 x 3.25
12	710-0751	Hex Cap Screw, 1/4-20 x .62
13	712-04064	Nut, Flange Lock, 1/4-20, Nylon
14	712-04217	Flange Lock Nut, 3/8-16
15	712-0417A	Hex Flange Nut, 5/8-18
16	710-0376	Hex Cap Screw, 5/16-18 x 1.00
17	714-0162	Cotter Pin, 5/32 x 1.25
18	917-05298	Deck Adjustment Gear
19	917-05209	Electric PTO Clutch
20	921-04041	Water Nozzle Adapter
21	731-08698	Belt Cover
22	932-3127	Compression Spring, .66 x 1.9
23	732-04927	Extension Spring, 1.25 OD x 1.751
24	734-04155	Deck Ball Wheel, 5.0
25	712-04063	Flange Lock Nut, 5/16-18

Ref.	Part Number	Description
26	726-04009	Push Cap
27	736-0322	Flat Washer, .450 x 1.25 x .164
28	736-3052	Flat Washer, .406 x 1.00 x .105
29	720-05010	Cap, .290 x .500
30	731-07487	Deck Wash Nozzle
31	938-3056	Shoulder Screw, .5 x 2.5 x 3/8-16
32	942-04244A	Blade, 2 in 1, 23.25
33	747-05608	Deck Spring Rod
34	747-06292	Deck Hanger Rod
35	738-04502	Shoulder Screw, 1/4-20 x 0.50
36	954-04325	V-Belt
37	756-05034	Pulley, Idler, 4.50" Dia.
38	756-04511B	Idler Pulley, 5.00 Dia.
39	748-05037A	Shoulder Spacer
40	783-08389	Pulley Cap
41	783-08435	Bearing Shield
42	938-1128	Spindle Shaft
43	941-0919B	Ball Bearing
44	750-04936	Spacer, .792 x 1.060 x 1.860
45	750-1343	Spacer, .8 x 1.1 x 2.26
46	756-04356	Deck Pulley
47	747-06290B	Hinge Pin
48	732-05261	Spring, Torsion, .440 ID x 1.75
49	783-08504A	Bracket, Chute, 42"
50	738-05132	Shoulder Spacer

54" Deck



Ref.	Part Number	Description	Ref.	Part Number	Description
1	903-05190	54" Deck Assembly	28	936-0344	Flat Washer, .385 x 1.0 x .030
2	903-05211	Deck Idler Assembly	29	738-04502	Shoulder Screw, 1/4-20 x 0.50
3	603-05215	Deck Lift Bracket	30	738-05081	Shoulder Spacer
4	918-06978	Spindle Assembly	31	938-3056	Shoulder Screw, .5 x 2.5 x 3/8-16
5	710-0347	Hex Cap Screw, 3/8-16 x 1.75	32	942-05056A	Blade, 18.67
6	710-04379A	Hex Cap Screw, 7/16-20 x 3.50	33	747-05608	Deck Spring Rod
7	710-0805A	Hex Head Screw, 5/16-18 x 1.50	34	747-06292	Deck Hanger Rod
8	710-1260A	Hex Washer Screw, 5/16-18 x .750	35	748-05029A	Shoulder Spacer
9	710-3120	Hex Flange Screw, 3/8-16	36	954-04329A	V-Belt
10	710-3130	Hex Bolt 3/8-16 x 3.25"	37	756-04511B	Idler Pulley, 5.00 Dia.
11	711-06377	Roller Pin, 1/2 x 7.31 Lg	38	756-05034	Pulley, Idler, 4.50" Dia.
12	712-04063	Flange Lock Nut, 5/16-18	39	731-09968	Belt Cover, RH
13	712-04065	Flange Lock Nut, 3/8-16	40	731-09969A	Belt Cover, LH
14	712-0417A	Hex Flange Nut, 5/8-18	41	631-05116B	Chute Deflector Assembly
15	714-0162	Cotter Pin, 5/32 x 1.25	42	710-0751	Hex Cap Screw, 1/4-20 x .62
16	917-05209	Clutch, Electric PTO	43	712-04064	Nut, Flange Lock, 1/4-20, Nylon
17	917-05298	Deck Adjustment Gear	44	726-04009	Push Cap
18	720-05075	Vinyl Cap, .29 x 1.00	45	732-05261	Spring, Torsion, .440 ID x 1.75
19	921-04041	Water Nozzle Adapter	46	747-06290B	Hinge Pin
20	726-0299	Push Cap, 1/2	47	783-08504A	Bracket, Chute, 42"
21	731-05679B	Front Roller	48	738-1186A	Spindle Shaft, 6.11 Long
22	731-07487	Deck Wash Nozzle	49	941-0919B	Ball Bearing
23	732-04927	Extension Spring, 1.25 OD x 1.751	50	750-04936	Spacer, .792 x 1.060 x 1.860
24	783-08389	Pulley Cap	51	750-06152	Spacer, .792 x 1.060 x 1.782
25	932-3127	Compression Spring, .66 x 1.9	52	756-05038	Deck Pulley
26	734-04155	Deck Ball Wheel, 5.0	53	783-08435	Bearing Shield
27	736-0322	Flat Washer, .450 x 1.25 x .164			



To order replacement parts or locate your nearest service dealer call a Customer Support at (800) 800-7310.
or visit www.mtdproducts.com to find the nearest authorized dealer in your area.

MTD LLC, P.O. BOX 361131 CLEVELAND, OHIO 44136-0019
