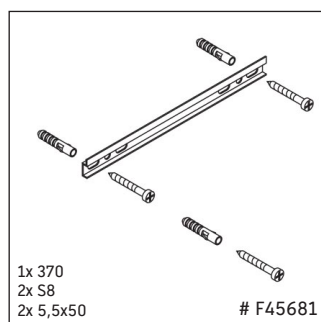
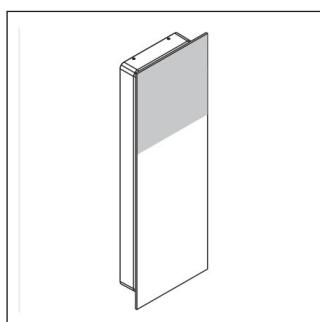
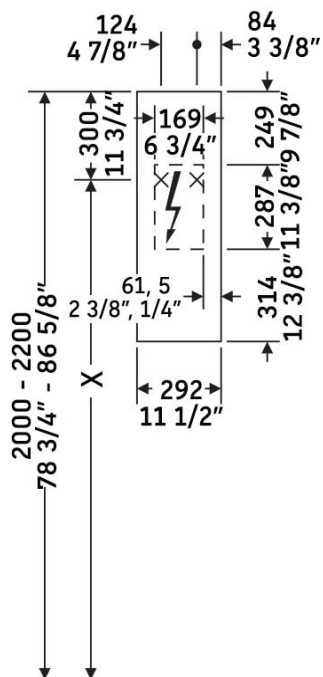


Starck

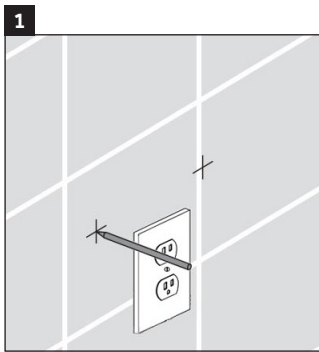
S1 9716

Installation instructions

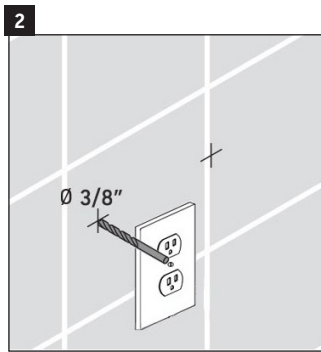


Instructions for use

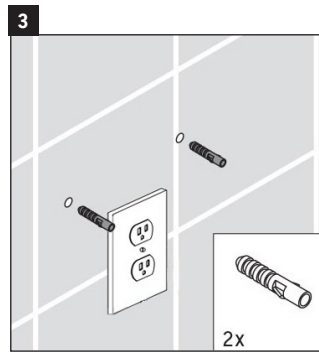
The bathroom furniture range complies with the standards and guidelines applicable at the time of delivery and is designed for use in bathrooms. Though designed for the wet environment, direct contact with water should be avoided, for example, when showering. We reserve the right to make technical improvements and design modifications to the products illustrated.



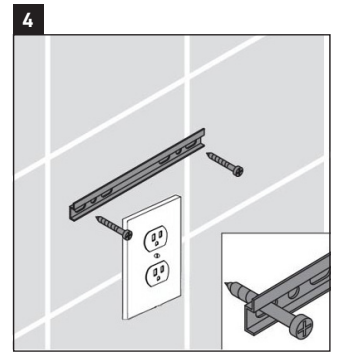
1
A 110V GFCI outlet is required. Mark the holes to be drilled for the anchors.



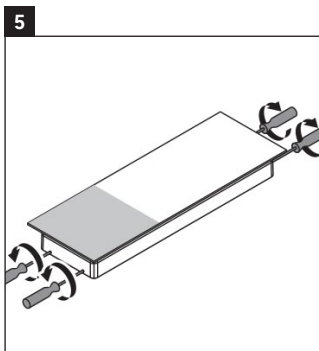
2
Using a 3/8" drill bit, drill the anchor holes that have been marked.



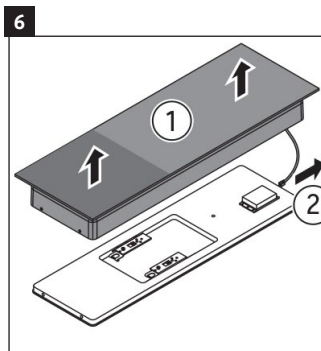
3
The plastic anchors provided are for concrete wall applications.



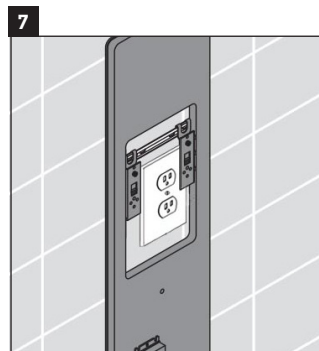
4
Screw the bracket(s) to the wall at the specified locations. For wood stud walls, bolts should be screwed into the wood backing.



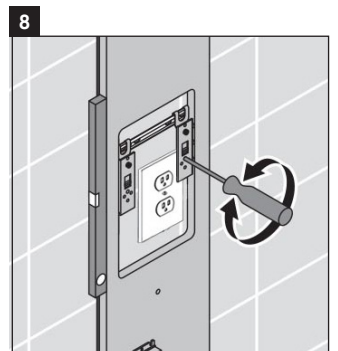
5
Detach mirror front with four screws.



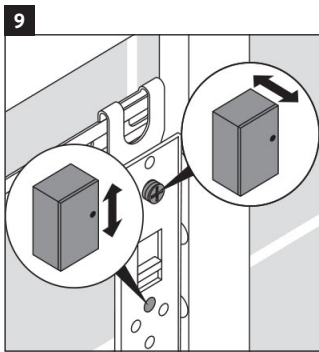
6
Lift the mirror up and slide the mirror backing.



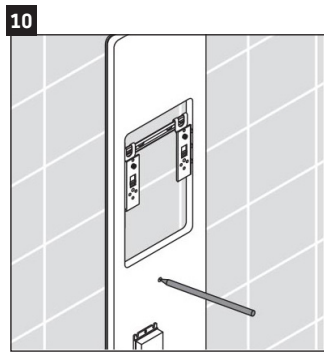
7
Lift the mirror backing up and onto the mounting brackets.



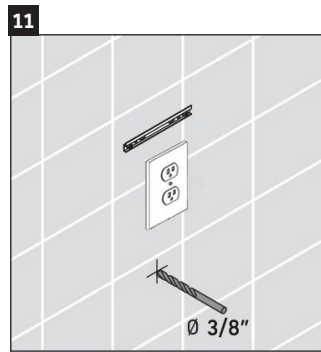
8
Check the mirror backing is leveled.



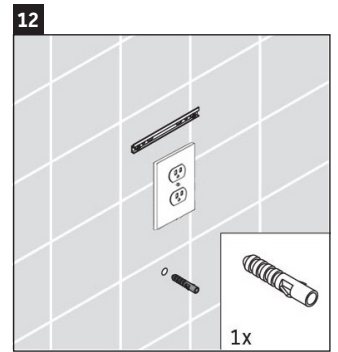
The top screw will adjust closer and further, from the mirror and lower screw will adjust up and down.



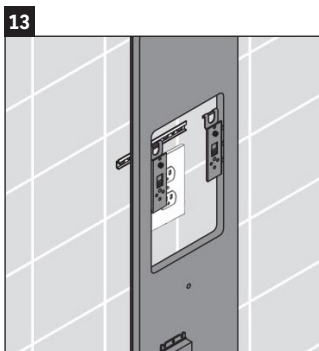
Mark the hole to be drilled for the screw. Remove mirror backing.



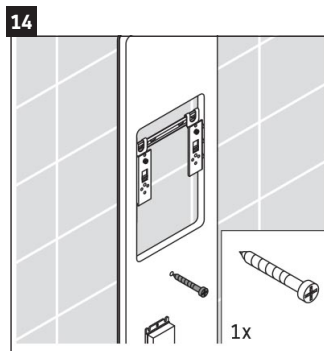
Using a 3/8" drill bit, drill the anchor holes that have been marked.



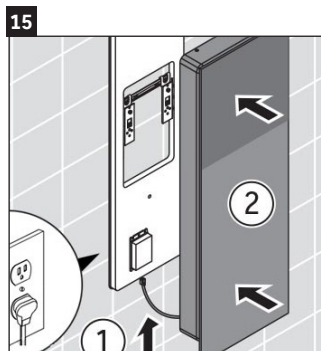
The plastic anchor provided is for concrete wall applications.



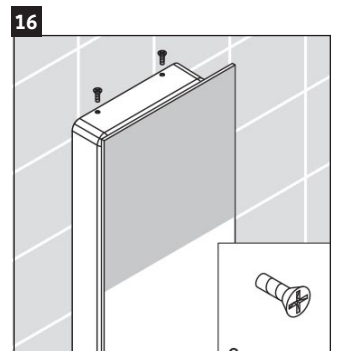
Lift the mirror backing up and onto the mounting brackets.



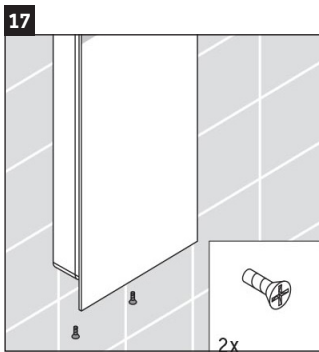
Screw the bolt to the wall at the specified location. For wood stud walls, bolts should be screwed into wood backing.



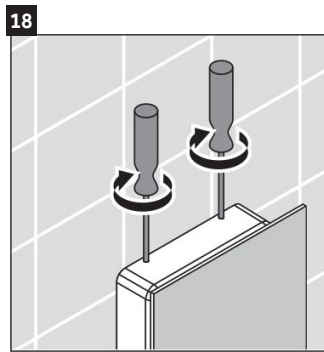
Plug the unit into the outlet, plug the cord(1) into control unit. Slide the unit onto the mirror backing.



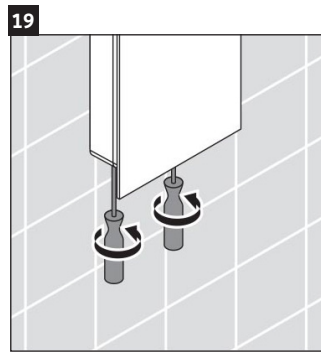
Attach mirror front to mirror backing with two top supplied screws.



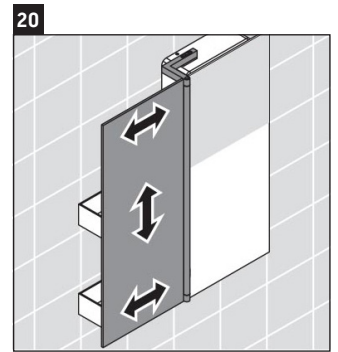
Attach mirror front to mirror backing with two bottom supplied screws.



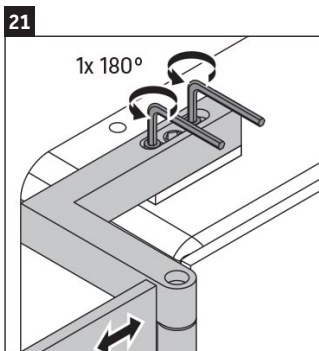
Using a screwdriver tighten the screws counter-clockwise.



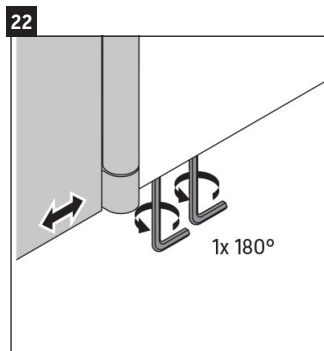
Using a screwdriver tighten the screws clockwise.



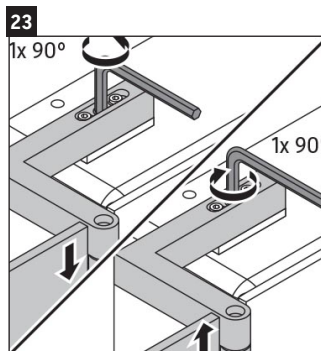
Attach the hinged mirror.



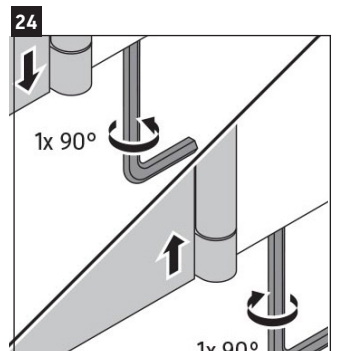
Using allen wrench, tighten the top screws clockwise one turn 180 degree.



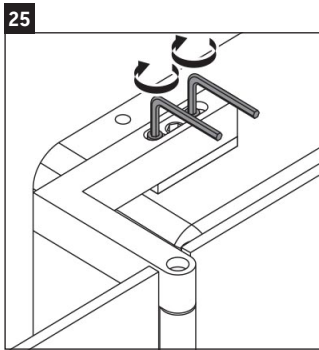
Using allen wrench tighten the bottom screws counter-clockwise one turn 180 degree.



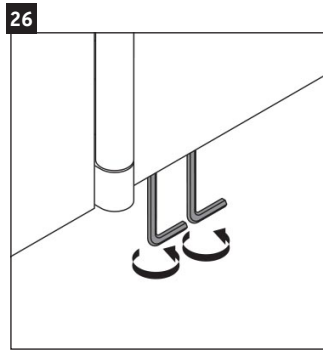
Using allen wrench, tighten the top middle screw clockwise one turn 90 degree or counter-clockwise one turn 90 degree until desired leveling of the hinged mirror has been reached.



Using allen wrench tighten screw counter-clockwise one turn 90 degree or clockwise one turn 90 degree until desired leveling of the hinged mirror has been reached.



25
Using allen wrench, tighten the top screws clockwise.



26
Using allen wrench, tighten the bottom screws counter-clockwise.

Furniture complies with applicable requirements of the referenced standard(s):
Safety Household and Commercial Furnishings (UL 962, 3rd ed. Issued: 07/07/08, Revised: 08/05/13)
Portable Luminaires CSA C22.2 No. 12 - 1982 (R2004)

IMPORTANT SAFETY INSTRUCTIONS

When using an electrical furnishing, basic precautions should always be followed, including the following:

Read all instructions before using this furnishing.

DANGER To reduce the risk of electric shock:

1. Always power down all circuits before cleaning.

WARNING To reduce the risk of burns, fire, electric shock, or injury to persons:

1. Disconnect from power before putting on or taking off parts. A minimum of two people is required to remove and replace cabinet doors.
2. Close supervision is necessary when this furnishing is used by, or near children, invalids, or disabled persons.
3. Use this furnishing only for its intended use as described in these instructions. Do not use attachments not recommended by the manufacture.
4. Never operate this furnishing if it has a damaged cord or plug, if it is not working properly, if it has been dropped or damaged, or dropped into water. Return the furnishing to a service center for examination and repair.
5. Never drop or insert any object into any opening.
6. Do not use outdoors.
7. Do not operate where aerosol (spray) products are being used or where oxygen is being administered.
8. For loading always put heavier items at the bottom and not near the top in order to help prevent the possibility of the furnishing tipping over.
MAXIMUM SHELF LOAD IN POUNDS ALLOWED: 6.61 lbs
9. To disconnect, power down all circuits.
10. Risk of Injury to Persons - do not place video equipment such as televisions or computer monitors on furnishing.

GROUNDING INSTRUCTIONS

This product must be connected to a grounded metal, permanent wiring system, or an equipment - grounding conductor must be run with the circuit conductors and connected to the equipment grounding terminal or lead on the product.

ABOUT THE PRODUCT

Products requiring electricity are designed to be switched at the wall and hardwired to a circuit provided by the customer. Product should be installed according to electrical code by a qualified technician. Read important safety instructions carefully. Direct wetting should be avoided. This products is intended for household/residential use only. We reserve the right to make technical improvements and to enhance the appearance of the products shown.

SAVE THESE INSTRUCTIONS

Duravit NYC

105 Madison Avenue
New York, NY 10016
Toll Free 888-DURAVIT
Phone 212-686-0033
Fax 212-686-8033
info@us.duravit.com
www.duravit.nyc

Duravit USA, Inc.

2205 Northmont Pkwy., Ste. 200
Duluth, GA 30096
Toll Free 888-DURAVIT
Phone 770-931-3575
Fax 770-931-8454
info@us.duravit.com
www.duravit.us

