

This unit offers anti-siphon protection.

The Freezeless Model 17 is designed and intended for year-round residential irrigation purposes regardless of outside temperature. This faucet will not rupture from freezing when the valve is shut off and the hose is removed. The Model 17 contains an integral backflow protection device which protects up to 125 psi of backpressure and therefore does not require an add-on vacuum breaker. This ASSE 1019 device is intended for irrigation use and outdoor watering and shall not be subjected to more than (12) hours of continuous water pressure.

SPECIFICATIONS:

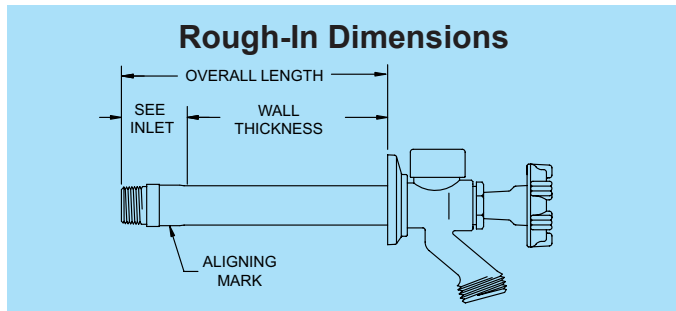
- Manufactured under one or more of the following patents: <https://www.woodfordmfg.com/patents>
- ASSE 1019 - Type C Listed
- CSA, cUPC Approved



FEATURES:

- 3/4" male hose thread nozzle
- Stainless steel seat - eliminates wire draw
- EPDM packing to prevent leaking
- Full circle operating threads on valve body and retainer
- No-lead solder
- Standard "O" size seat washer
- Powder-coated, die cast aluminum handle
 - Optional Tee Key available (extra charge)
- Adjustable polycarbonate wall flange
- **MAX PRESSURE** - 125 p.s.i.
- **MAX TEMPERATURE** - 120° F

WARNING - Faucet must be installed with downward pitch toward nozzle and hose must be removed in freezing weather or faucet may freeze and burst.

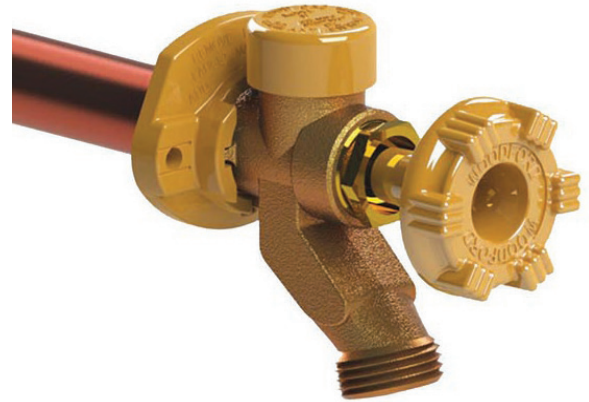


Wall Thickness (inches)										
4	6	8	10	12	14	16	18	20	22	24
1.2	1.3	1.4	1.5	1.6	1.7	1.8	1.9	2.0	2.1	2.2

Shipping Wt. Ea. (lbs)
 *Overall Length Dimension: Add wall thickness and inlet option length shown in chart above.

For Installation / Troubleshooting Instructions go to www.woodfordmfg.com or call 1-800-621-6032

Freezeless Anti-Siphon Wall Faucet Model 17



Inlet Descriptions

	<p>C Inlet COMBINATION Copper Sweat Fitting 1/2" K, L or M Inside 3/4" M Only Outside</p>
	<p>CP Inlet COMBINATION 1/2" Male Pipe Thread 1/2" Female Sweat</p>
	<p>C3 Inlet 3/4" Female Sweat Fitting</p>
	<p>P Inlet COMBINATION 1/2" Female Pipe Thread 3/4" Male Pipe Thread</p>
	<p>PX Inlet 1/2" PEX Tube Fitting PX3 INLET 3/4" PEX Tube Fitting</p>
	<p>R Inlet 1/2" Rehau Tube Fitting W Inlet 1/2" Wirsbo Tube Fitting W3 INLET 3/4" Wirsbo PEX Tube Fitting</p>
	<p>CM Inlet COMBINATION 1/2" Compression Fitting 1/2" Copper Sweat Fitting</p>

When ordering, specify model , inlet and wall thickness.