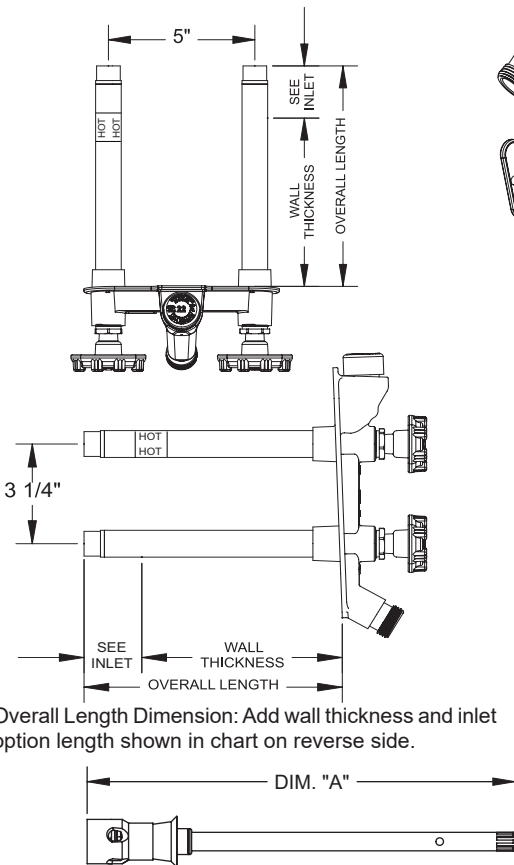


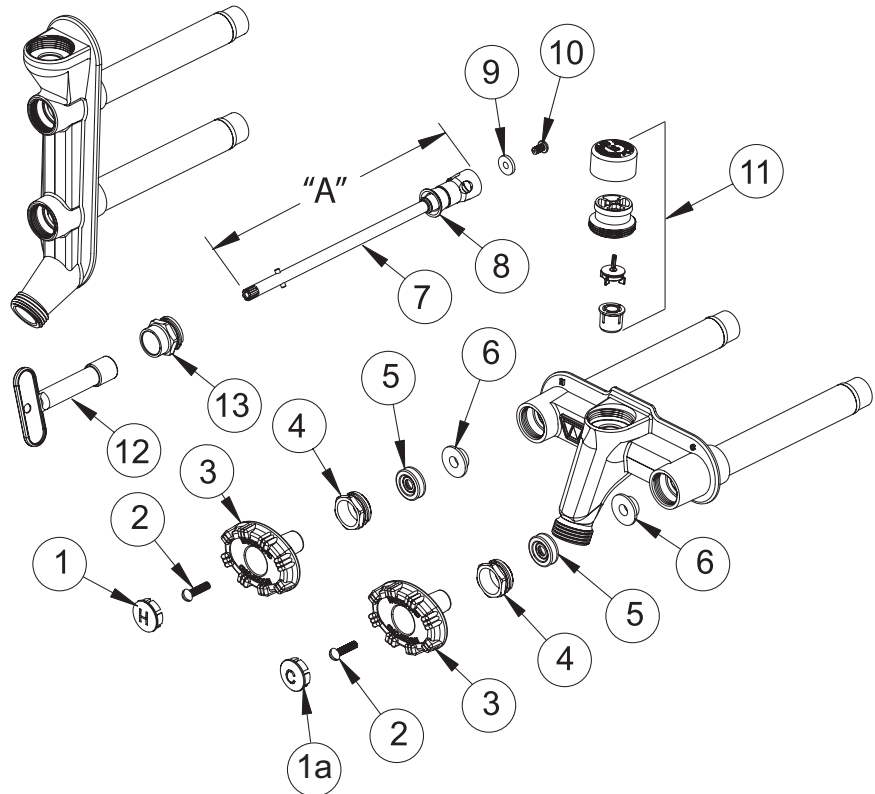
**WOODFORD**



**Model 22 & V22  
Rough-In Dimensions**



Overall Length Dimension: Add wall thickness and inlet option length shown in chart on reverse side.



**MODEL 22 & V22 PARTS LIST**

ITEM	PART#	DESCRIPTION
1	30566	Plug Button-H-Red
1a	30565	Plug Button-C-Blue
2	30002	Handle Screw (2)
3	30559	Oval, Die Cast Alum. Handle (2)
4	30059	Packing Nut (2)
5	30560	EPDM Packing (2)
6	30421	Packing Support Washer (2)
7	RK-PRV-**	Valve Stem Assembly
<i>Note: Valve stems are interchangeable with Model 22 and V22 Head assemblies.</i>		
8	30459	Check Valve (2)
9	30008	Valve Seat Rubber (2)
10	30804	Retainer Screw (2)
11	RK-22VB	Vacuum Breaker Float Kit (Model 22)
12	50012	Tee Key
13	30512	Deep Packing Nut
	RK-22PRV	Repair Kit ( <i>metal handles</i> ) Includes 1 ea: Items 1, 1a, 11 2 ea: Items 2 - 6, 8 - 10

**RK-PRV and Replacement Rod #**

Wall Thickness	RK-PRV-*	Rod Only Part #**	Overall Length Dim "A"
4	RK-PRV-4	35092	5 7/8"
6	RK-PRV-6	35093	7 7/8"
8	RK-PRV-8	35094	9 7/8"
10	RK-PRV-10	35095	11 7/8"
12	RK-PRV-12	35096	13 7/8"
14	RK-PRV-14	35097	15 7/8"
16	RK-PRV-16	35098	17 7/8"
18	RK-PRV-18	35099	19 7/8"
20	RK-PRV-20	35100	21 7/8"
22	RK-PRV-22	35101	23 7/8"
24	RK-PRV-24	35102	25 7/8"

Single Rod

\*RK-PRV Includes Items 2 - 5, 7 - 10

\*\*Rod Includes Items 7 - 10

**Model 22 & V22 Shipping Weight**

Wall Thickness (inches)	4	6	8	10	12	14	16	18	20	22	24
Shipping Wt. Ea. (lbs)	2.8	3.0	3.2	3.4	3.6	3.8	4.0	4.2	4.4	4.6	4.8



For more information contact...

**WOODFORD MANUFACTURING COMPANY**

2121 Waynoka Road, Colorado Springs, Colorado 80915 • Phone: (800) 621-6032 • Fax: (800) 765-4115

To view our complete product line visit: [www.woodfordmfg.com](http://www.woodfordmfg.com) or email: [sales@woodfordmfg.com](mailto:sales@woodfordmfg.com)

A Division Of WCM Industries, Inc.