



# SERVICE PARTS LIST

**BULLETIN NO.**  
**54-32-2400**

SPECIFY CATALOG NO. AND SERIAL NO. WHEN ORDERING PARTS		REVISED BULLETIN	DATE
<b>Cordless M12™ Spot Polisher</b>			Apr. 2014
<b>CATALOG NO.</b> 2438-20	<b>STARTING SERIAL NO.</b> F76A	<b>WIRING INSTRUCTION SEE REVERSE SIDE</b>	

**EXAMPLE:**  
00 0 Component Parts (Small #)  
Are Included When Ordering  
The Assembly (Large #).

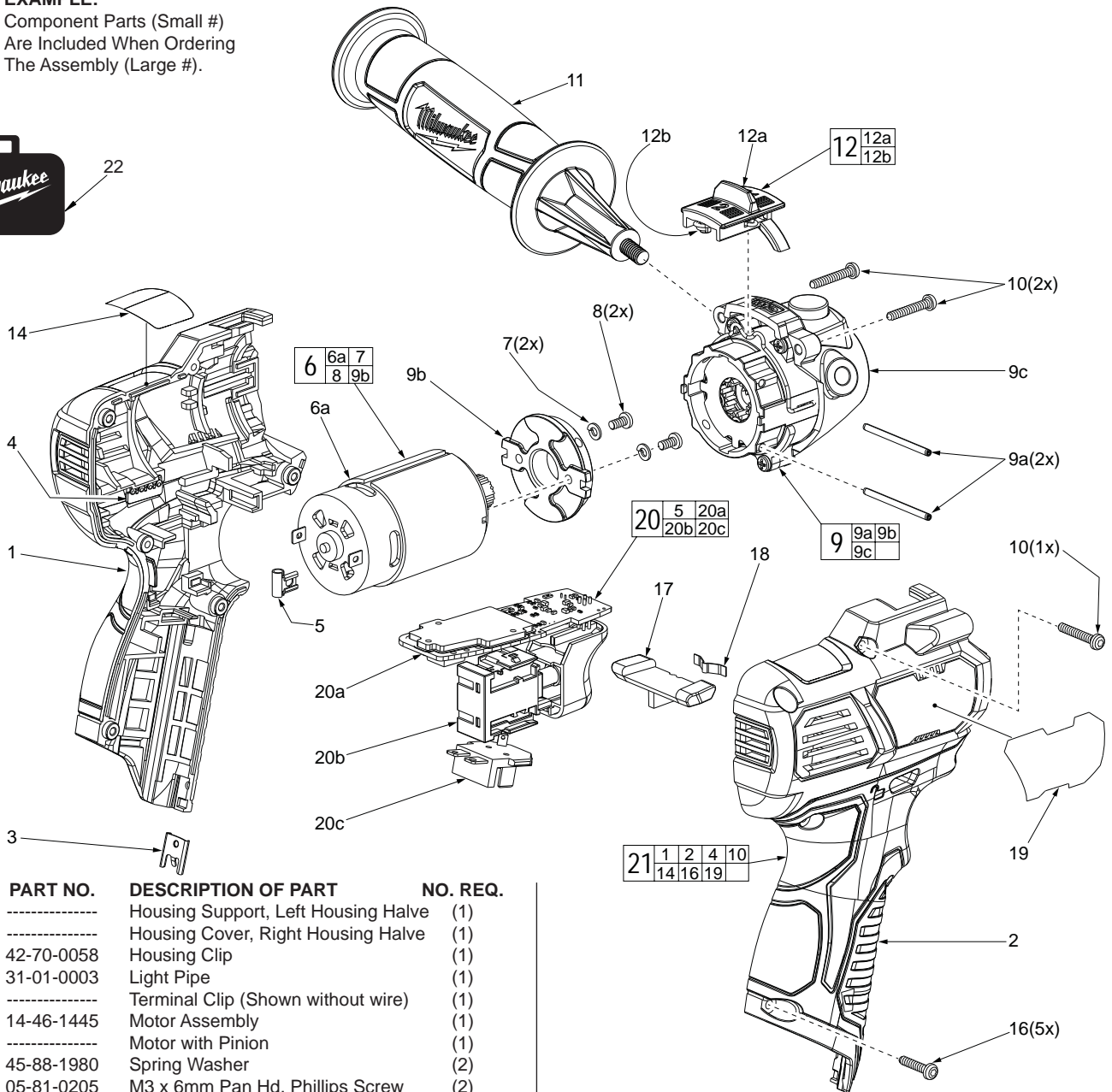


FIG.	PART NO.	DESCRIPTION OF PART	NO. REQ.
1	-----	Housing Support, Left Housing Halve	(1)
2	-----	Housing Cover, Right Housing Halve	(1)
3	42-70-0058	Housing Clip	(1)
4	31-01-0003	Light Pipe	(1)
5	-----	Terminal Clip (Shown without wire)	(1)
6	14-46-1445	Motor Assembly	(1)
6a	-----	Motor with Pinion	(1)
7	45-88-1980	Spring Washer	(2)
8	05-81-0205	M3 x 6mm Pan Hd. Phillips Screw	(2)
9	14-46-1385	Gearbox Assembly	(1)
9a	-----	Motor Mount Pin	(2)
9b	-----	Motor Mount Plate	(1)
9c	-----	Gearbox/Front Housing	(1)
10	05-88-0780	M3 x 18mm Pan Hd. ST T-10 Screw	(3)
11	43-62-1100	Side Handle	(1)
12	14-46-1460	Speed Selector Assembly	(1)
12a	-----	Speed Selector	(1)
12b	-----	Torsion Spring	(1)
14	10-20-3205	Warning Label	(1)
15	-----	Fuel Gauge Label (Not Shown)	(1)
16	06-82-1080	M3 x 14mm Pan Hd. T-10 ST Screw	(5)
17	45-24-0625	Locking Shuttle	(1)
18	40-50-1135	Spring Plate	(1)
19	12-20-2438	Service Nameplate	(1)
20	14-46-1470	Electronics Assembly	(1)
20a	-----	PCBA	(1)
20b	-----	Switch	(1)
20c	-----	Battery Terminal Connector Block	(1)

FIG.	PART NO.	DESCRIPTION OF PART	NO. REQ.
21	31-44-2438	Handle Kit	(1)
22	42-55-2438	Contractors Bag	(1)
23	49-36-2438	5 Piece Accessory Kit (Not Shown)	(1)
		Consisting of:	
		3" Wool Pad w/ Back Recess	(1)
		3" White Foam Pad	(1)
		3" Yellow Foam Pad	(1)
	49-36-0800	2" Backing Pad w/ M9 x .75 Thread	(1)
	49-36-0805	3" Backing Pad w/ M9 x .75 Thread	(1)

**FIG. 6,9,9b** **NOTES:**  
Service replacement gearcase assembly (9) comes with a motor mount plate (9b) that must be removed and discarded when servicing. A motor mount plate already exists on the motor assembly (6).

**MILWAUKEE ELECTRIC TOOL CORPORATION**  
13135 W. Lisbon Road, Brookfield, WI 53005  
Drwg. 1