

Specifications

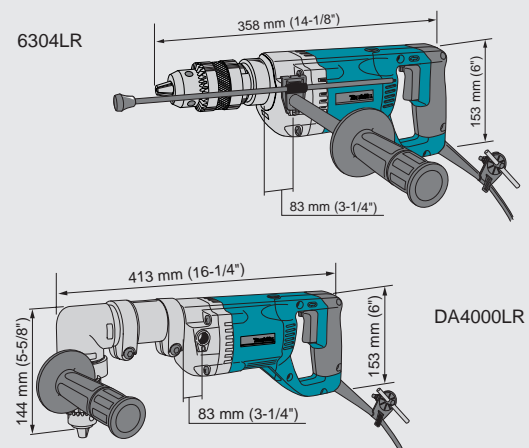
Angle Drill



Drilling capacities	Model 6304LR	Model DA4000LR
Wood		
Auger-bit	38 mm (1-1/2")	38 mm (1-1/2") (Hi) / (Lo)
Self-feed bit	65 mm (2 -9/16")	Hi : 65 mm (2 -9/16") / Lo : 118 mm (4-5/8")
Hole saw	114 mm (4-1/2")	Hi : 114 mm (4-1/2") / Lo : 152 mm (6")
Steel		
Twist bit	13 mm (1/2")	13 mm (1/2")
Continuous rating		
Input	600 W	600 W
No load speed	0 – 600 min ⁻¹ (rpm)	Hi : 0 – 900 min ⁻¹ (rpm) Lo : 0 – 400 min ⁻¹ (rpm)
Overall length	358 mm (14-1/8")	413 mm (16-1/4")
Net weight	2.6 kg (5.7 lbs)	3.7 kg (8.2 lbs)
Power supply cord	2.5 m (8.2 ft.)	2.5 m (8.2 ft.)

Specifications may differ from country to country.

Dimension



Standard equipment

Angle Drill

	Model 6304LR	Model DA4000LR
	Part No.	Part No.
Drill chuck S-13 (North America)	193319-5	
Chuck key (North America)	763434-5	
Drill chuck S-13 (Other Countries)	193318-7	
Chuck key (Other Countries)	763432-9	
Stopper pole assembly (Depth gauge assembly)	122645-5	–
Angle attachment	–	193316-1
Side grip (For tool barrel)	152892-4	
Grip assembly (For angle attachment)	–	122646-3
Hex wrench 5	–	783216-9
Plastic carrying case	824646-6	

Optional accessories

Angle Drill



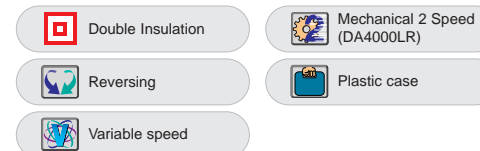
Makita Corporation

3-11-8, Sumiyoshi-cho, Anjo, Aichi 446-8502, Japan

PRINTED IN JAPAN Z14310-2 2001-8



A world's leading manufacturer of power tools



13 mm (1/2") Drill / Angle Drill

Model 6304LR / DA4000LR

New 13 mm (1/2") Heavy-Duty Drills featuring Makita new powerful motor for increased power and performance.



Photo: DA4000LR

Photo: 6304LR

NEW



A world's leading manufacturer of power tools

Powerful drilling thanks to its Maximum torque 87 N·m (6304LR), 123 N·m (DA4000LR). Comfortable operation with its lighter weight !!



Photo: 6304LR

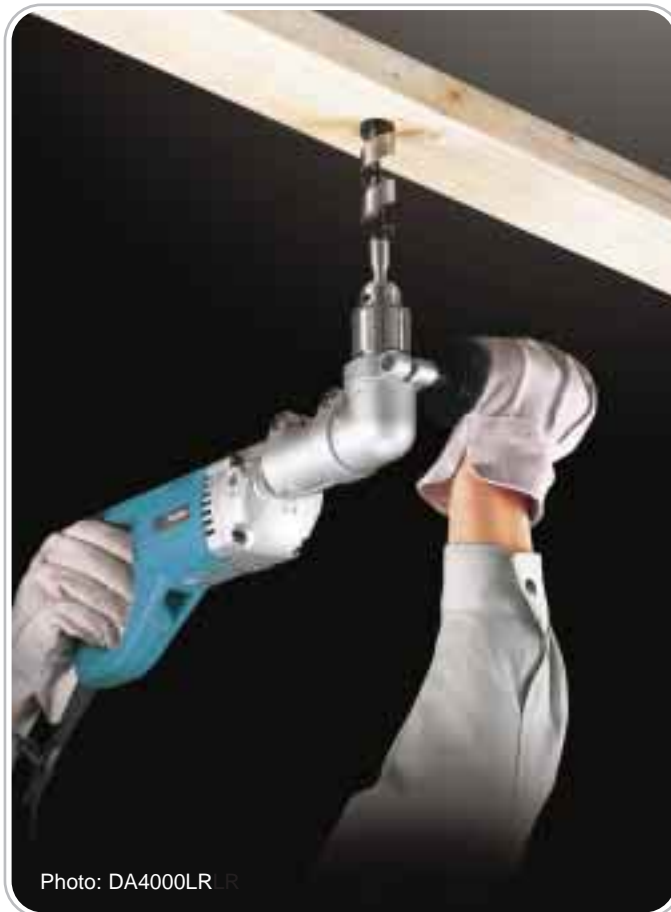


Photo: DA4000LR

6304LR 13 mm Drill



1. Extension attachment (Part No. 193317-9)



Stretches drilling reach up to 30"(760mm). Drill Chuck on the extension attachment operates at the same speed as the drill powering them.

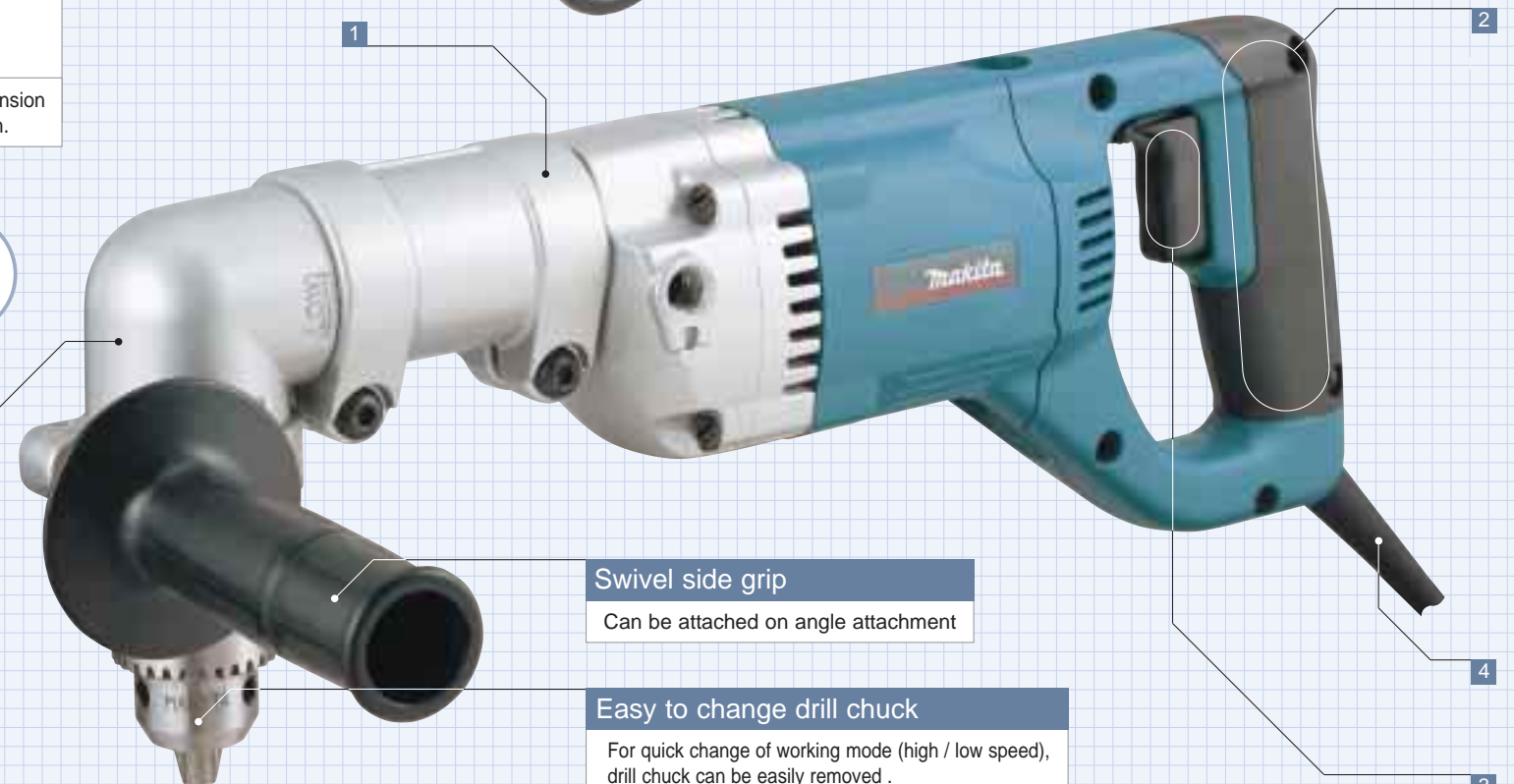
2. Palm fitting soft handle

3. Durable and Dust-Proof Switch featuring a big trigger for comfortable operation.

4. Tough cord guard

Excellent in flexibility to protect the cord from disconnection. And cord guard assembled as per the pictures does not interfere with the operator's action.

DA4000LR Angle Drill



Increased durability of gear in the angle attachment

Swivel side grip

Can be attached on angle attachment

Easy to change drill chuck

For quick change of working mode (high / low speed), drill chuck can be easily removed .

3