

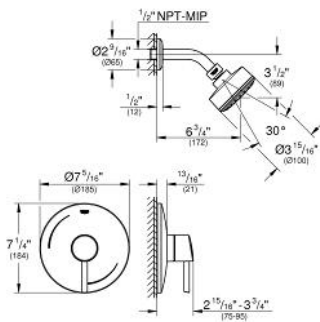
# CONCETTO Shower Combination

MODEL # 35075001

*Pure Freude an Wasser*

**GROHE**

GROHE America, Inc | 200 North Gary Avenue, Suite G, Roselle, IL 60172  
Phone: +1 (800) 444-7643 | Fax: +1 (800) 225-2778 | us-customerservice@grohe.com



## ADA

### Product Description: Shower Combination

#### Standard Specification:

- GROHE StarLight® finish
- Metal lever handle
- New Tempesta shower head (26 366), 2.0 gpm
- 5 5/8" Tubular shower arm (27 414)
- CALGreen/CEC compliant
- ADA Compliant
- For use with GrohSafe® rough-in valves (35 015), (35 064), (35 065), (35 066)

#### Applicable Codes & Standards:

- EPA WaterSense®
- CalGreen

#### Color:

- 35075001 001 chrome