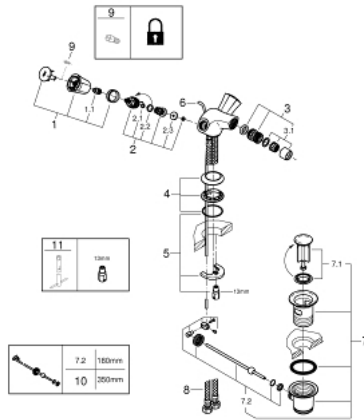


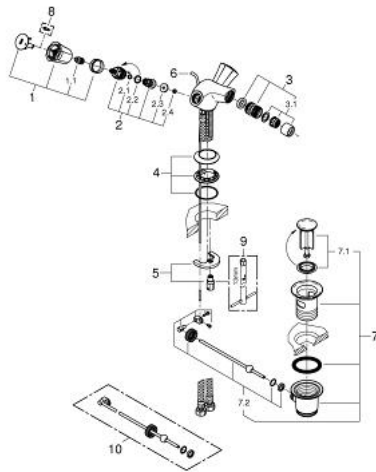
## 24 480 001 COSTA L SINGLE-HOLE BIDET MIXER



### SPARE PARTS, August 2016 – now

- 1: handle Costa L (Order-nr. 45994000)
  - 1.1: Repl. kit f.handle fastening (Order-nr. 0538600M)
  - 2: Headpart 1/2" (Order-nr. 07146000)
  - 2.1: O-ring  $\varnothing 6 \times \varnothing 2$  (Order-nr. 0128300M)
  - 2.2: O-ring  $\varnothing 18.2 \times \varnothing 1.7$  (Order-nr. 0392400M)
  - 2.3: Ball seal dia. 9x6.8 mm (Order-nr. 0529100M)
  - 3: Ball-joint aerator (Order-nr. 13915000)
  - 3.1: Mousseur (Order-nr. 13928000)
  - 4: Escutcheon (Order-nr. 48004000)
  - 5: Shank mounting kit (Order-nr. 46249000)
  - 6: Lift rod (Order-nr. 65936PD0)
  - 7: Pop-up waste set 1 1/4" (Order-nr. 28910000)
  - 7.1: Plug (Order-nr. 07182000)
  - 7.2: Eccentric rod (Order-nr. 07052000)
  - 8: Connection hose (Order-nr. 46255000)
  - 9: Screw for Costa/Avina products (Order-nr. 48013000)\*
  - 10: Eccentric rod (Order-nr. 07341000)\*
  - 11: Mounting wrench (Order-nr. 19017000)\*
- \* Optional accessories

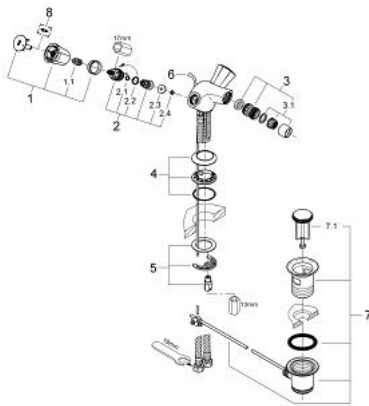
## 24 480 001 COSTA L SINGLE-HOLE BIDET MIXER



### SPARE PARTS, August 2014 – August 2016

- 1: handle Costa L (Order-nr. 45994000)
  - 1.1: Repl. kit f.handle fastening (Order-nr. 0538600M)
  - 2: Headpart 1/2" (Order-nr. 07146000)
  - 2.1: O-ring  $\varnothing 6 \times \varnothing 2$  (Order-nr. 0128300M)
  - 2.2: O-ring  $\varnothing 18.2 \times \varnothing 1.7$  (Order-nr. 0392400M)
  - 2.3: Ball seal dia. 9x6.8 mm (Order-nr. 0529100M)
  - 3: Ball-joint aerator (Order-nr. 13915000)
  - 3.1: Mousseur (Order-nr. 13928000)
  - 4: Escutcheon (Order-nr. 48004000)
  - 5: Shank mounting kit (Order-nr. 46249000)
  - 6: Hand shower (Order-nr. 65936PD0)
  - 7: Pop-up waste set 1 1/4" (Order-nr. 28910000)
  - 7.1: Plug (Order-nr. 07182000)
  - 7.2: Eccentric rod (Order-nr. 07052000)
  - 8: Screw for Costa/Avina products (Order-nr. 48013000)\*
  - 9: Mounting wrench (Order-nr. 19017000)\*
  - 10: Eccentric rod (Order-nr. 07341000)\*
- \* Optional accessories

## 24 480 001 COSTA L SINGLE-HOLE BIDET MIXER



### SPARE PARTS, June 2007 – August 2014

- 1: handle Costa L (Order-nr. 45994000)
  - 1.1: Repl. kit f.handle fastening (Order-nr. 0538600M)
  - 2: Headpart 1/2" (Order-nr. 07146000)
  - 2.1: O-ring  $\varnothing 6 \times \varnothing 2$  (Order-nr. 0128300M)
  - 2.2: O-ring  $\varnothing 18.2 \times \varnothing 1.7$  (Order-nr. 0392400M)
  - 2.3: Ball seal dia. 9x6.8 mm (Order-nr. 0529100M)
  - 3: Ball-joint aerator (Order-nr. 13915000)
  - 3.1: Mousseur (Order-nr. 13928000)
  - 4: Escutcheon (Order-nr. 48004000)
  - 5: Shank mounting kit (Order-nr. 46249000)
  - 6: Hand shower (Order-nr. 65936PD0)
  - 7: Pop-up waste set (Order-nr. 28915000)
  - 7.1: Plug (Order-nr. 45210000)
  - 8: Screw for Costa/Avina products (Order-nr. 48013000)\*
- \* Optional accessories