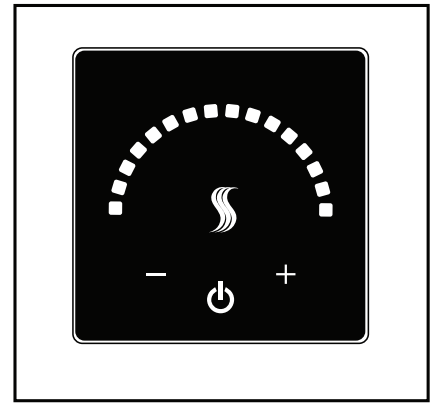
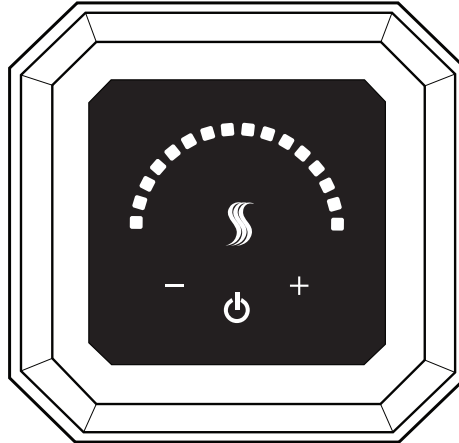
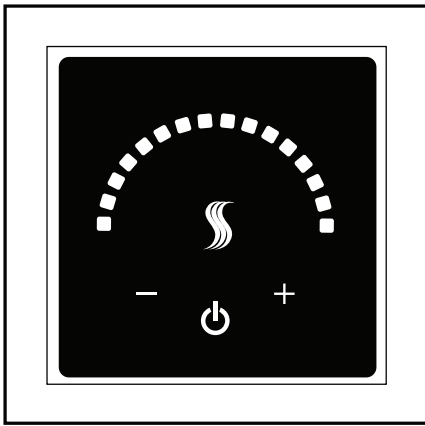
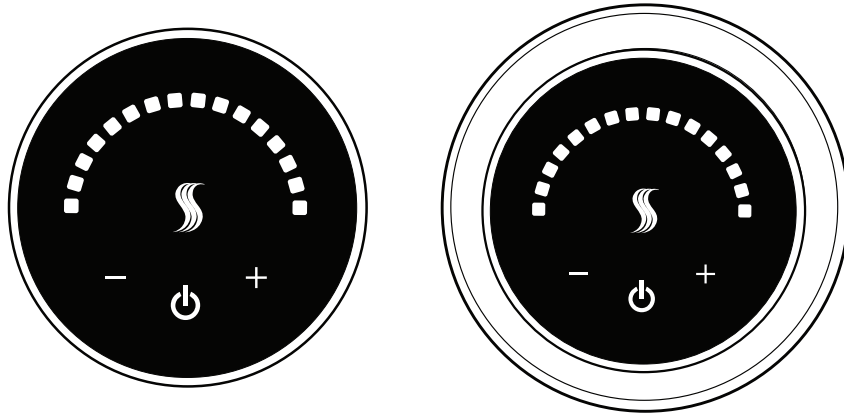


# MicroTouch Control



## Installation Manual

For Tutorials and Troubleshooting visit [www.thermasol.com/solutions](http://www.thermasol.com/solutions)

From top - L to R: MTC-XX Contemporary, MTT-XX Traditional,  
MTM-XX Modern, MTR-XX Regency, MTMR-XX Modern Recessed

# THERMASOL®

OVER 55 YEARS OF STEAM SHOWER INNOVATION

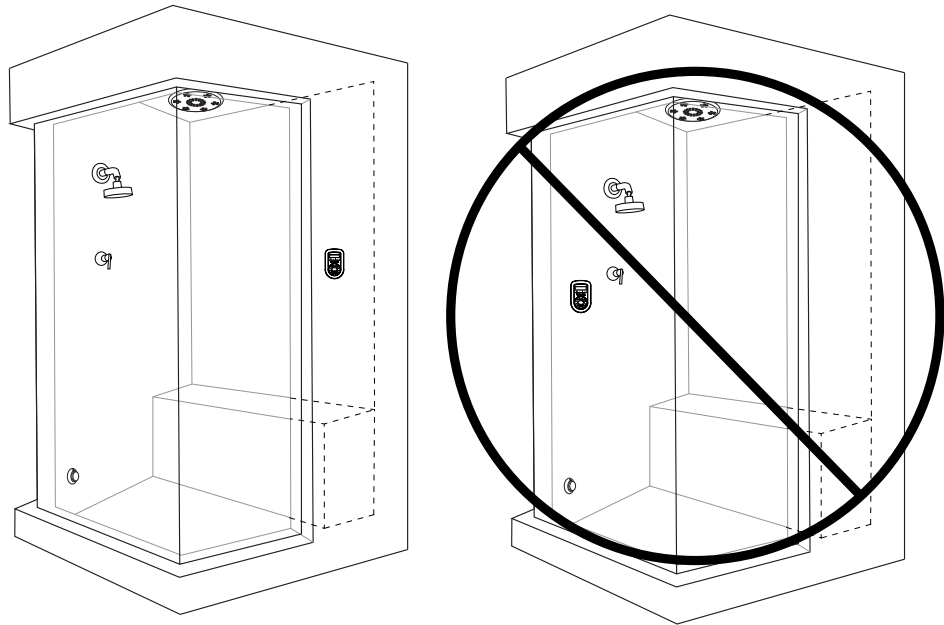
# 1 Important Information before You Install

The MicroTouch Control must be installed inside the shower.

The MicroTouch control will only function on the current SSM, SSA and PRO Series generators.

The control should be installed 60" from the floor of the shower and away from the steamhead.

**IMPORTANT:** When locating and installing the MicroTouch, it is required to not place the control under any water-outlets, shower heads or in the direct path of flowing water. SEE DIAGRAM FOR LOCATION EXAMPLE.



## PLEASE REVIEW WARNINGS BELOW AND LEAVE THIS MANUAL WITH HOMEOWNER

DO NOT USE THIS PRODUCT UNLESS YOU HAVE CONSULTED WITH YOUR DOCTOR AND RECEIVED WRITTEN PERMISSION TO DO SO. USE OF THIS PRODUCT MAY BE HAZARDOUS TO YOUR HEALTH.

PLEASE CONSULT YOUR PHYSICIAN BEFORE USING. IF YOU ARE PREGNANT, ELDERLY, HAVE HIGH BLOOD PRESSURE, DIABETES, SUFFERING FROM HEART DISEASE, ARE INTOXICATED, OR NOT IN GOOD HEALTH, DO NOT USE THIS STEAM BATH.

STEAM IS HOT! DO NOT TOUCH OR GO NEAR THE STEAMHEAD FROM THE TIME THE UNIT IS "ON," UP TO ONE HOUR AFTER IT HAS SHUT OFF. SEVERE BURNS WILL OCCUR IF YOU COME IN CONTACT WITH THE STEAMHEAD OR STEAM EMITTING FROM THE STEAMHEAD.

NEVER ATTEMPT TO FILL AROMA RESERVOIR ON THE STEAMHEAD WHEN UNIT IS IN THE "ON" POSITION. SEVERE BURNS WILL OCCUR.

DO NOT USE THERMASOL AROMATHERAPY OILS, SKIN CARE PRODUCTS OR ANY PRODUCT ASSOCIATED WITH YOUR THERMASOL UNIT WITHOUT CONSULTING WITH YOUR ALLERGIST OR DOCTOR BEFORE USE. THESE PRODUCTS MAY BE HAZARDOUS TO YOUR HEALTH.

DO NOT USE STEAM ROOM WHILE UNDER THE INFLUENCE OF ALCOHOL OR DRUGS, AS THIS CAN BE HAZARDOUS TO YOUR HEALTH.

YOUR SHOWER MAY BE A SLIP-AND-FALL HAZARD. CHECK WITH YOUR CONTRACTOR OR FLOORING MANUFACTURER REGARDING THE SAFE USE OF YOUR FLOORING IN A STEAM APPLICATION. SLIPPING AND FALLING INTO THE STEAMHEAD ITSELF OR INTO THE STREAM OF STEAM EMITTING FROM THE STEAMHEAD WILL CAUSE SERIOUS BURNS OR PHYSICAL INJURY.

IF YOU ARE FEELING UNCOMFORTABLE, DIZZY, FAINT, OR STARTING TO FALL ASLEEP, IMMEDIATELY EXIT THE STEAM ROOM.

DO NOT USE STEAM ROOM IF YOU ARE UNDER THE AGE OF 16 UNLESS SUPERVISED BY AN ADULT.

THERMASOL STEAM BATH GENERATORS ARE NOT DESIGNED TO BE USED FOR SPACE HEATING PURPOSES.

THERMASOL STEAM BATH GENERATORS ARE FOR INDOOR USE ONLY. THEY SHOULD NEVER BE LOCATED OUTSIDE THE HOME.

All products must be installed in accordance with installation instructions provided. Failure to do so may invalidate warranty at manufacturer's discretion.  
©2016 ThermaSol.

97006\_NC 4/16

Read warnings on page 2. For illustrative purposes only. Consult with qualified professional for steam room construction details.

## 2 Tools and Materials

Parts enclosed



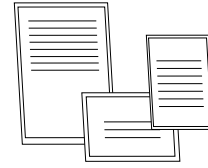
Controller  
(Contemporary style shown here)



Silicone



Mud Ring  
(RIK-TPMR-1) for MTMR-XX  
installation only



Installation instructions, warranty,  
static cling warning label

**Materials needed:**

- MicroTouch control
- CAN bus cable  
(included with generator)
- Silicone
- Other materials as required

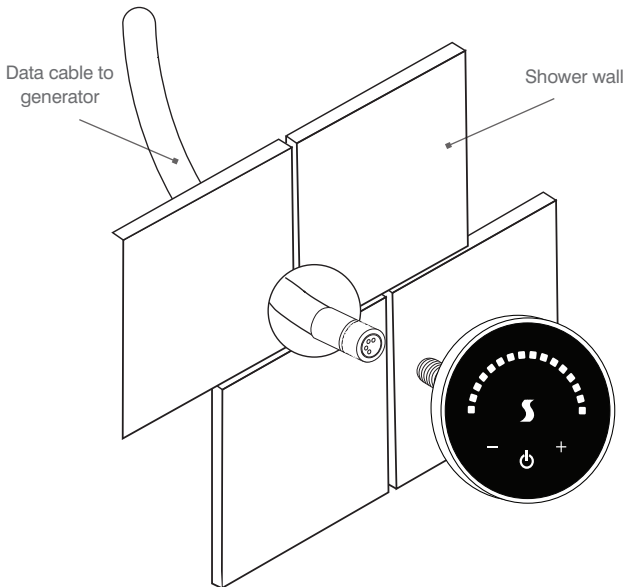
**Tools needed:**

- 1/2" drill for surface mount
- Follow pre-installation instruction on  
page 5 for recessed mount controls
- Drill motor
- Other tools as required

## 3 Control Installation and Data Cable Connection

### Surface Mount Installation

MTC-XX, MTM-XX, MTT-XX, MTR-XX, MTC-NTS-XX,  
MTM-NTS-XX, MTT-NTS-XX, MTR-NTS-XX

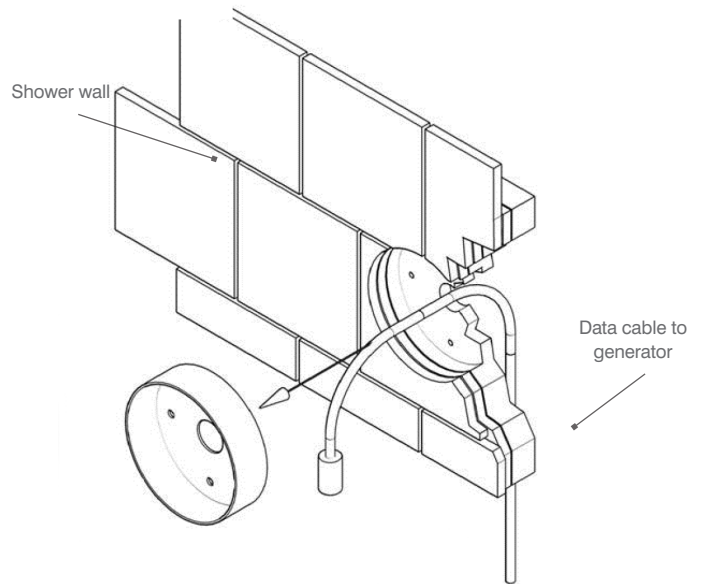


Make a 1/2" diameter hole in the desired location.

The control should be installed 60" from the floor of the shower and away from the steamhead.

### Recessed Mount Installation

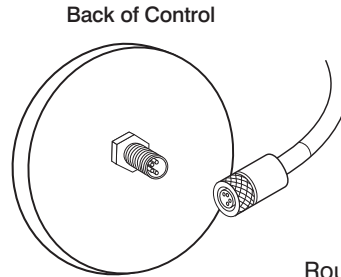
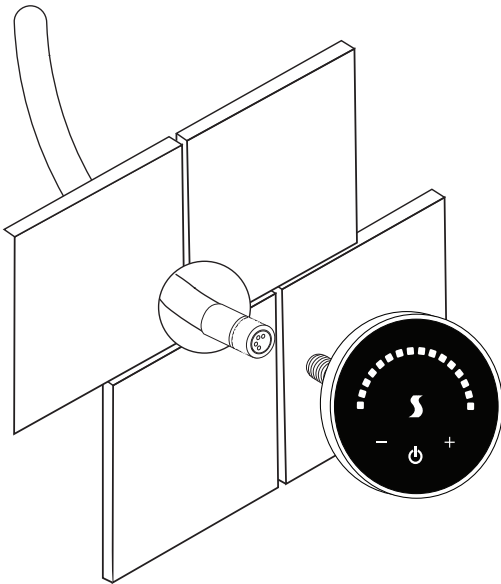
MTMR-XX, MTMR-NTS-XX



Install recessed control mud-ring (provided with control) during rough-in stage of wall preparation. Fabricate and install materials as precise as possible, following the shape of the mud-ring.

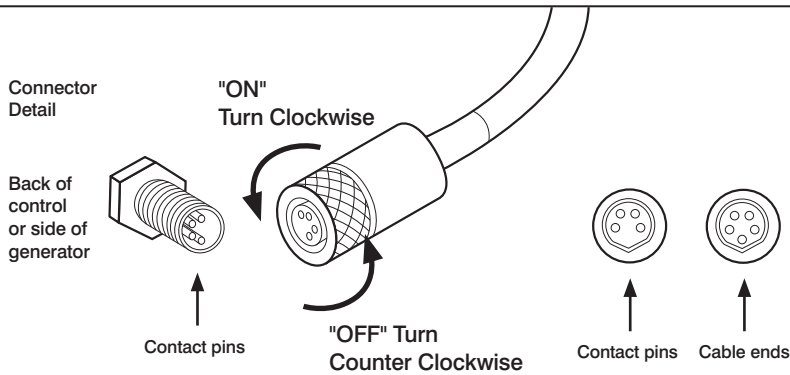
**See page 5 for detailed instructions.**

# 4 Control Installation and Data Cable Connection



Route the data cable (included with generator) through the finished wall to the back side of the control. The other end of the cable runs to the steam generator location or if present to SWM-2 or PDM.

**NOTE:** It is recommended to run the cable through electrical conduit.

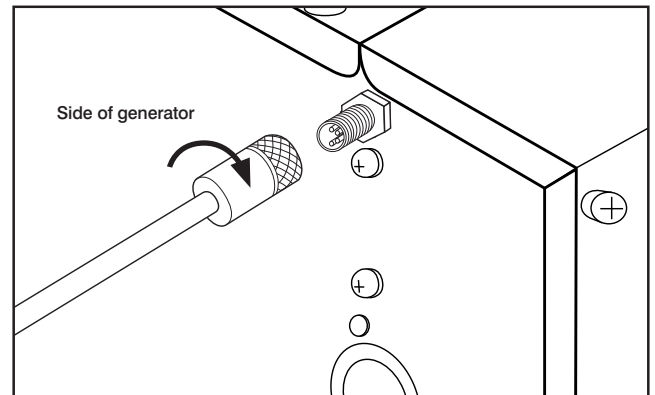
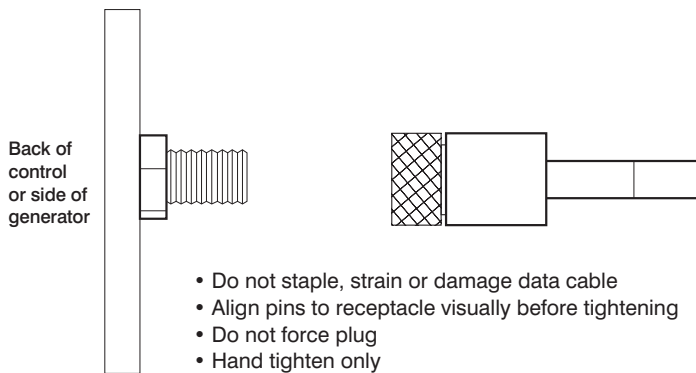


**DO NOT** pinch, nail, staple, wedge, or bind the data cable.

**DO NOT** wrap the data cable around steam line or route it in a manner so that the hot steam line could melt the cable.

Any damage to the control cable will result in the control not working properly.

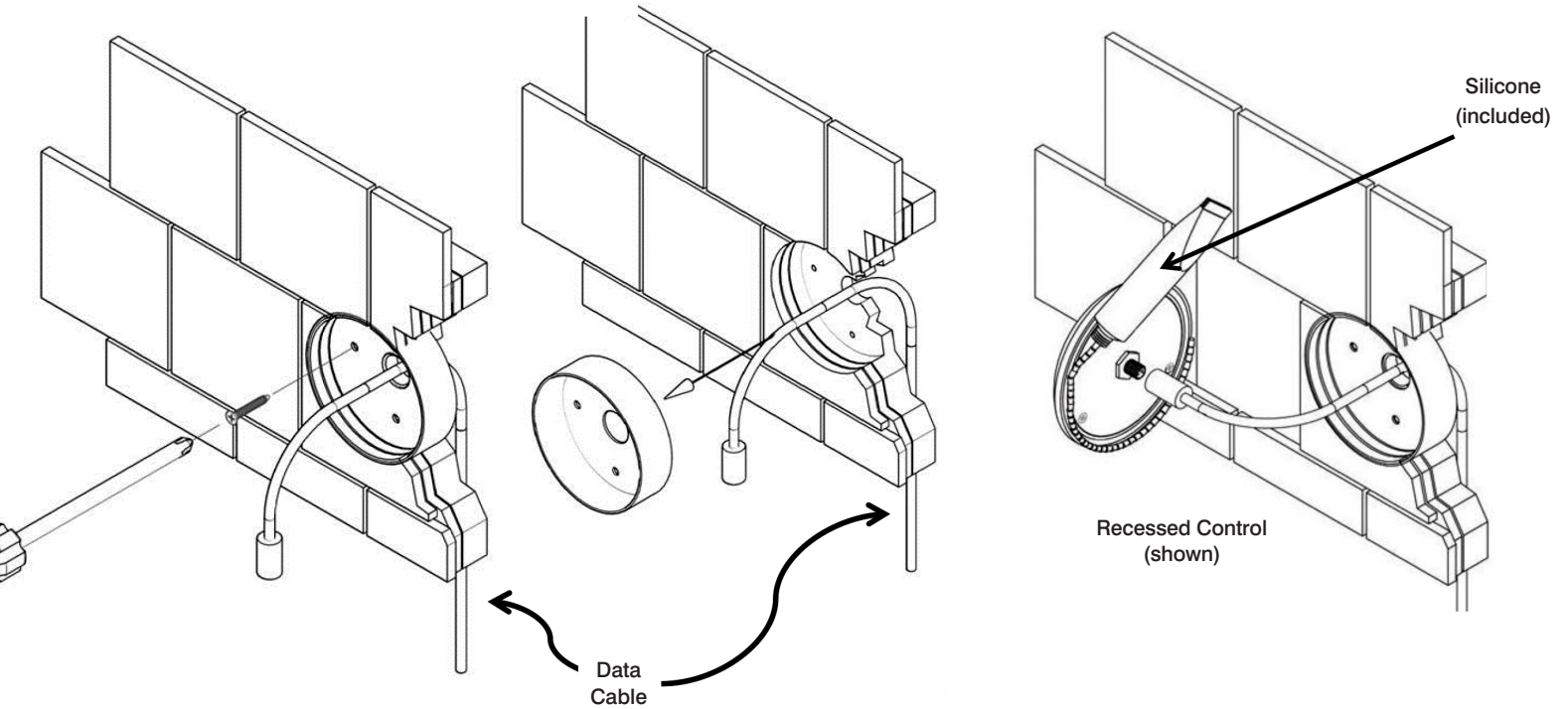
Carefully connect the data cable to the generator and control **BEFORE** turning power on to the generator.



Connect the data cable to steam generator connector. (The other end of the cable runs to the back of the control in the shower location or to the SWM-2 or PDM if present.)

# 5 Mud Ring Installation + Sealing Control

## For Recessed Control Only (MTMR-XX and MTTR-NTS-XX)



**Step 1: BEFORE TILE** - Use the supplied mud ring by attaching to wall face using a few standard screws. Then tile to the edge of the mud ring.

**Step 2:** Once finished tile is completed remove mud ring from wall. Ensure that the total minimum depth is 5/8" so control face sits flush to wall. Connect cable so it is not lost in wall. Test fit for flushness.

**Step 3: IMPORTANT: Fully test the control system prior to silicone.**

Once desired fit is achieved coat back of control face with supplied silicone. Firmly press to wall surface and wipe excess silicone from around control. Tape into LEVEL position and let dry for 24 hours before using steam bath.

# Sealing Control

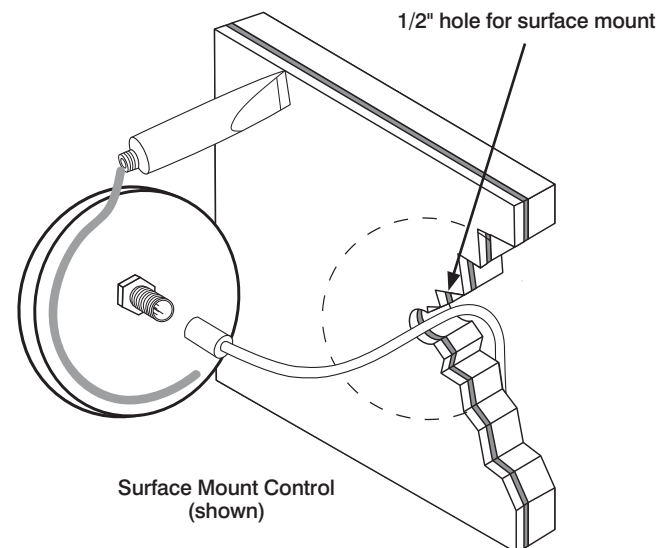
## For Surface Controls Only

(MTC-XX, MTM-XX, MTT-XX, MTR-XX, MTC-NTS-XX, MTM-NTS-XX, MTT-NTS-XX, MTR-NTS-XX)

**Step 1:** Coat the entire groove on the control back with supplied water-proof silicone to fully seal the control to the wall. Completely seal the control to the wall so moisture does not collect behind it.

**Step 2:** Place the control on the wall pressing firmly. (You may need to tape the control into place until the silicone dries.) Be careful not to harm the wall or control with the tape. Let dry for 24 hours before using steam bath.




**IMPORTANT: Fully test the control system prior to silicone.**





# 6 Operation

**A Taking a Steam Bath**  
 On your ThermaSol MicroTouch Control, touch and release the power icon  twice to power on. To turn off the steam unit touch and release the power icon  once. Power on is verified when the control face shows lit LEDs and turns dark if power is off.

A steam session lasts 45 minutes and is loaded with previously saved temperature set point.


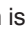
**B Setting or Changing the Temperature Set Point**  
 Set the temperature of your ThermaSol steam shower by using the lit plus  or minus  symbols, which are located immediately to the left and to the right of the  power icon. An arc array of lit squares will appear from left to right.

**Increase the temperature by touching  symbol** until desired temperature is displayed by the blue LED lights running clockwise to indicate an increase in temperature.

**Reduce the temperature by touching  symbol** and the array of LEDs will begin to turn off.



**C Power Flush**  
 ThermaSol's internal diagnostic system will alert you when a Power Flush cleaning is needed (Maintenance mode) by LEDs running counterclockwise.

**Start a Power Flush cleaning cycle**

To start a power flush manually, press and hold the  and  buttons for 5 seconds while the MicroTouch is in the on state. To indicate that the unit is in power flush mode, the array LEDs will flash in a clockwise direction.

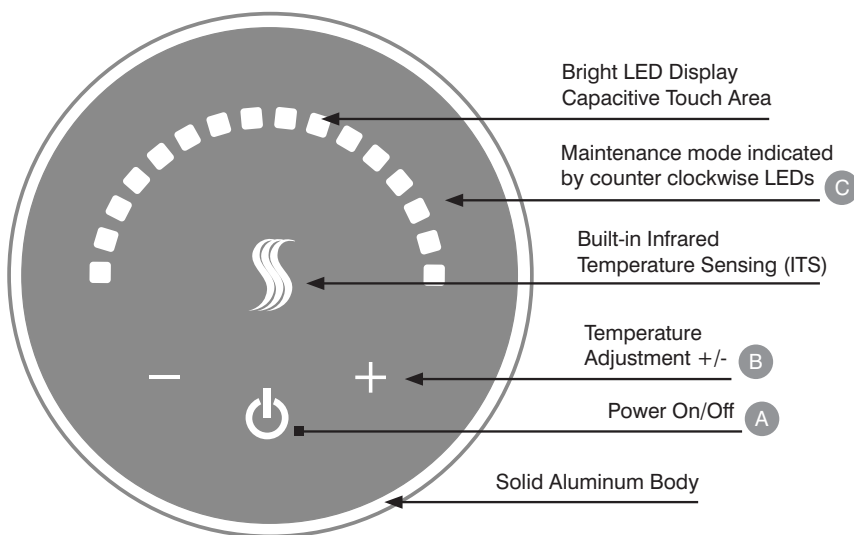
**Error Codes**

The simplified error code reporting system includes individual codes for any applicable system fault.

  LEDs will blink to show an error

The number of lit LEDs on the temperature scale shows the type of error.

- 1 light Room Over Temperature Error
- 2 lights Reserved for Factory Use
- 6 lights Low AC Voltage Error
- 7 lights Low Water Error
- 8 lights Reserved for Factory Use
- 9 lights Reserved for Factory Use
- 10 lights Communication Error



# 7 Trouble Shooting, Tutorials and Error Codes

Visit [www.thermasol.com/solutions](http://www.thermasol.com/solutions). Click on Troubleshoot then click on MicroTouch Control Error Codes