

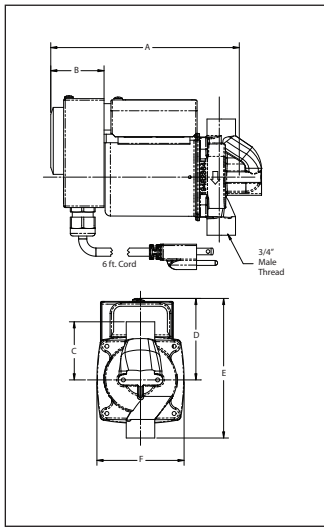
# Submittal Data Information

## Model 003/005/006

### Plumb n' Plug® with Analog Timer

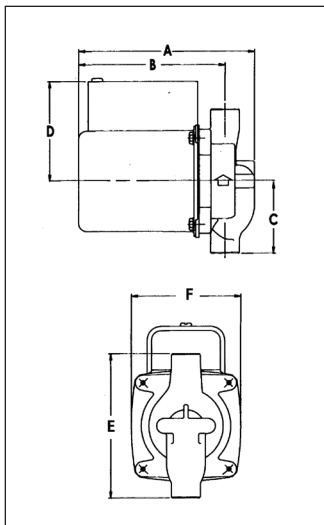
#### Features

- Digital Timer, 7 day Programmable
- Large LCD Display
- Easy-to-Use Program Buttons
- On/Off Intervals as Short as 1 Minute
- 2,500 hour Capacitor Backup, Saves Settings



#### Application

For recirculation systems setup for constant circulation or with an optional aquastat control, use Plumb n' Plug® with line cord only. Simply Plumb it in and Plug it in.



#### Application

The Plumb n' Plug® with Digital Timer allows ON/OFF program settings to fit any homeowners' schedule. Multiple settings allow for different weekday/weekend run times. Run time intervals can be set as short as 1 minute to maximize energy savings. Easy-to-Use clock face and large LCD display make settings a snap. Its on-board capacitor retains settings in memory for up to 2,500 hours, during power outages.

#### Pump Dimensions & Weights

##### Digital Timer

Model	Connection	A		B		C		D		E		F		Ship Wt.	
		in.	mm	in.	mm	in.	mm	in.	mm	in.	mm	in.	mm	lbs.	Kg
003-BC4-8PNP	1/2" Sweat	7-1/4	184	1-15/16	49	2-1/8	54	3-1/16	78	5-1/4	134	3-5/16	84	7.0	3.2
003-B4-2PNP	3/4" Sweat	7-1/4	184	1-15/16	49	2-3/16	56	3-1/16	78	5-1/4	134	3-5/16	84	7.0	3.2
003-ST4-2PNP	3/4" FNPT	7-1/4	184	1-15/16	49	2	51	3-1/16	78	5-1/4	134	3-5/16	84	7.0	3.2
003-SC4-3PNP	Union	7-1/4	184	1-15/16	49	2-31/32	76	3-1/16	78	6	152	3-5/16	84	7.0	3.2
006-BC4-4PNP	1/2" Sweat	7-1/4	184	1-15/16	49	2-1/8	54	3-1/16	78	5-1/4	134	3-5/16	84	7.0	3.2
006-B4-2PNP	3/4" Sweat	7-1/4	184	1-15/16	49	2-3/16	56	3-1/16	78	5-1/4	134	3-5/16	84	7.0	3.2
006-ST4-2PNP	3/4" FNPT	7-1/4	184	1-15/16	49	2	51	3-1/16	78	5-1/4	134	3-5/16	84	7.0	3.2
006-SC4-3PNP	Union	7-1/4	184	1-15/16	49	2-31/32	76	3-1/16	78	6	152	3-5/16	84	7.0	3.2

##### Digital Timer with Integral Flow Check (IFC®)

Model	Connection	A		B		C		D		E		F		Ship Wt.	
		in.	mm	in.	mm	in.	mm	in.	mm	in.	mm	in.	mm	lbs.	Kg
003-BC4-11PNP	1/2" Sweat	8-1/8	205	1-15/16	49	2-3/16	56	3-1/16	78	5-1/4	134	3-5/16	84	7.0	3.2
003-BC4-10PNP	3/4" Sweat	8-1/8	205	1-15/16	49	2-3/16	56	3-1/16	78	5-1/4	134	3-5/16	84	7.0	3.2
006-BC7-5PNP	1/2" Sweat	8-1/8	205	1-15/16	49	2-3/16	56	3-1/16	78	5-1/4	134	3-5/16	84	7.0	3.2
006-BC7-4PNP	3/4" Sweat	8-1/8	205	1-15/16	49	2-3/16	56	3-1/16	78	5-1/4	134	3-5/16	84	7.0	3.2

#### Line Cord Only

Model	Connection	A		B		C		D		E		F		Ship Wt.	
		in.	mm	in.	mm	in.	mm	in.	mm	in.	mm	in.	mm	lbs.	Kg
003-BC4-4PNP	1/2" Sweat	5-1/8	130	4-1/8	105	2-3/16	56	3-1/16	78	4-13/32	112	3-5/16	84	6.5	2.9
003-B4-1PNP	3/4" Sweat	5-1/8	130	4-1/8	105	2-1/8	54	3-1/16	78	4-1/4	108	3-5/16	84	6.5	2.9
003-ST4-1PNP	3/4" FNPT	5-1/8	143	4-7/8	124	2	51	3-1/16	78	4	102	3-5/16	84	6.5	2.9
003-SC4-2PNP	Union	5-5/32	131	4-11/32	110	2-31/32	76	3-1/16	78	5-15/16	151	3-5/16	84	6.5	2.9
006-BC4-2PNP	1/2" Sweat	5-1/8	130	4-1/8	105	2-3/16	56	3-1/16	78	4-13/32	112	3-5/16	84	6.5	2.9
006-B4-1PNP	3/4" Sweat	5-1/8	130	4-1/8	105	2-1/8	54	3-1/16	78	4-1/4	108	3-5/16	84	6.5	2.9
006-ST4-1PNP	3/4" FNPT	5-5/8	143	4-7/8	124	2	51	3-1/16	78	4	102	3-5/16	84	6.5	2.9
006-SC4-2PNP	Union	5-5/32	131	4-11/32	110	2-31/32	76	3-1/16	78	5-15/16	151	3-5/16	84	6.5	2.9

##### Line Cord Only with Integral Flow Check (IFC®)

Model	Connection	A		B		C		D		E		F		Ship Wt.	
		in.	mm	in.	mm	in.	mm	in.	mm	in.	mm	in.	mm	lbs.	Kg
003-BC4-7PNP	1/2" Sweat	6	152	4-7/8	124	2-3/16	56	2-15/16	75	4-3/8	111	3-5/16	84	6.5	2.9
003-BC4-6PNP	3/4" Sweat	6	152	4-7/8	124	2-3/16	56	2-15/16	75	4-3/8	111	3-5/16	84	6.5	2.9
006-BC7-3PNP	1/2" Sweat	6	152	4-7/8	124	2-3/16	56	2-15/16	75	4-3/8	111	3-5/16	84	6.5	2.9
006-BC7-2PNP	3/4" Sweat	6	152	4-7/8	124	2-3/16	56	2-15/16	75	4-3/8	111	3-5/16	84	6.5	2.9