

## FAUCET DESCRIPTION

- Metal construction with various finishes identified by suffix

## OPERATION

- Lever style handle with temperature indicator on the escutcheon, pull-on/push-off operation
- Temperature operates through an 180° arc of handle travel (full cold to full hot)
- Adjustable temperature limit stop to control maximum hot water temperature
- Pressure balancing mechanism maintains selected discharge temperature to  $\pm 2^\circ$


## FLOW

- NH Suffix models contain no showerhead

## CARTRIDGE

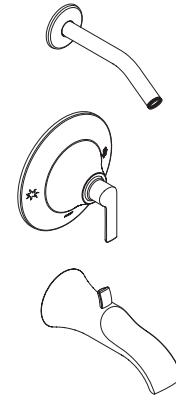
- 1225° cartridge design
- Nonmetallic/nonferrous and stainless steel materials
- Accommodates back to back installations

## STANDARDS

- Third party certified to ASME A112.18.1/CSA B-125-1, and all applicable requirements referenced therein
- ADA  for lever handle

## WARRANTY

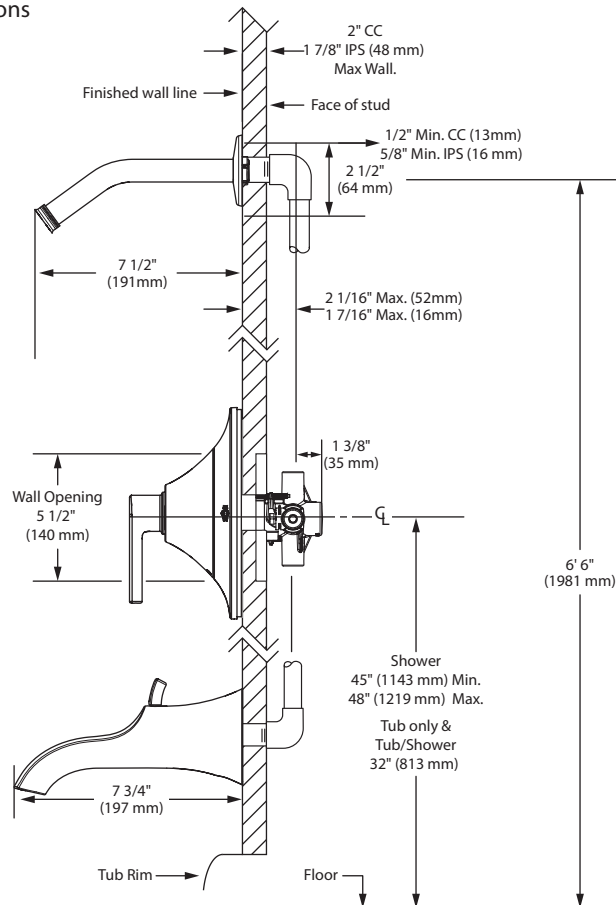
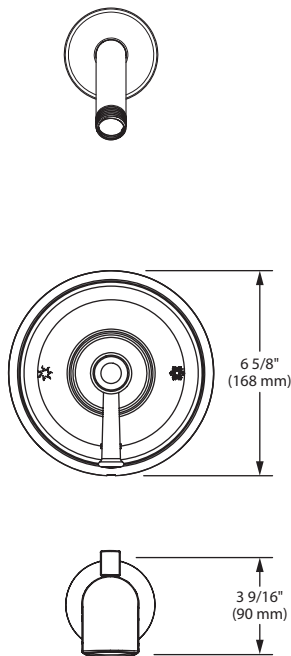
- Lifetime limited warranty against leaks, drips and finish defects to the original homeowner
  - 10 year limited warranty when used in a multifamily installation
  - 5 year limited warranty when used in a commercial installation
- Visit [www.moen.com/support](http://www.moen.com/support) for complete details and limitations



## DOUX™ MOENTROL® Single-Handle Tub/Shower Trim Only

**Models:** TS3201 series - valve only trim  
TS3202NH series - shower only trim  
TS3203NH series - tub/shower trim

**Valves:** 3510, 3520, 3570 Series



## CRITICAL DIMENSIONS

(DO NOT SCALE)

