

## Moda® Single Handle Kitchen Faucet Model LK7524

### FEATURES

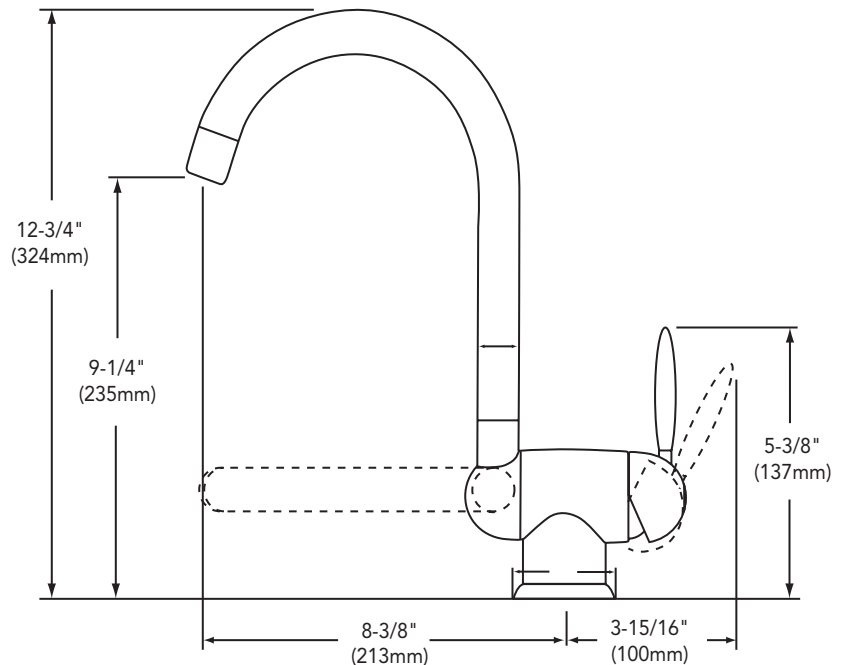
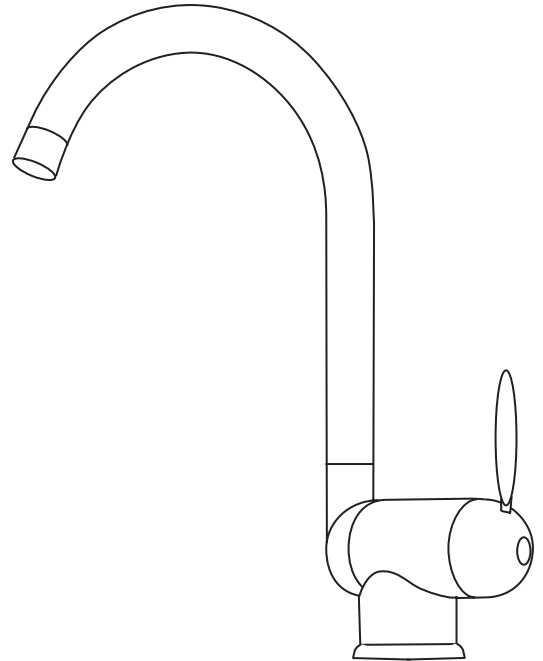
- Single hole single lever top mount faucet
  - 1-1/2" (38mm) diameter faucet hole required
  - Maximum countertop thickness 1-1/2" (38mm)
- Single lever faucet with solid brass construction
- Pivot and lock folding spout
- Removable ceramic disc cartridge
- Flexible braided stainless steel supply tubes with 1/2" (13mm) male I.P.S. adapters.
- Available in the following finishes:
  - Chrome LK7524CR
  - Brushed nickel LK7524NK
  - Brushed chrome LK7524BC
- Maximum flow rate
  - 2.5 GPM/9.5 L/min at 80 P.S.I.G.
  - 2.2 GPM/8.3 L/min at 60 P.S.I.G.
- Ship Wt. 5.5 lbs. (2.5Kg)
- Due to the weight of this faucet, Elkay recommends that it be installed to an 18" (1.2mm) gauge stainless steel sink (or heavier) or to a solid surface countertop

### WARRANTY

- Limited Lifetime

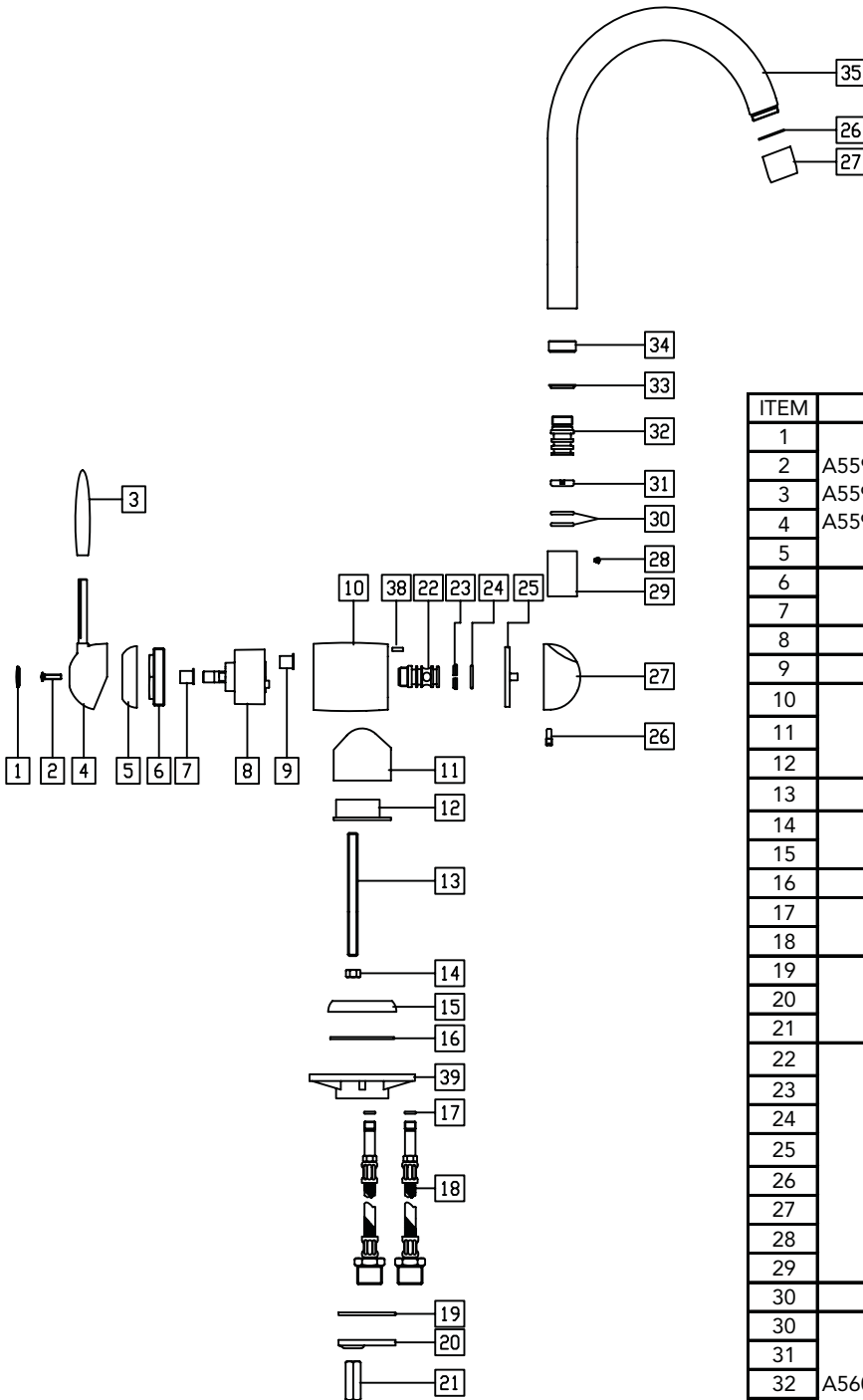
### COMPLIES WITH:

- ADA
- ANSI/NSF61-CERTIFIED
- ASME A112.18.1-05/CSA B125.1-2005-CERTIFIED
- CA AB1953/VT S152
- cUPC-CERTIFIED
- UPC-CERTIFIED



SEE OTHER SIDE FOR REPLACEMENT PARTS

### Moda® Single Handle Kitchen Faucet Model LK7524



ITEM	PART	DESCRIPTION
1		
2	A55963R - CHROME	LEVER HANDLE ASSEMBLY
3	A55964R - BRUSHED NICKEL	
4	A55965R - BRUSHED CHROME	
5		
6	N/A	N/A
7		
8	A56106R	CARTRIDGE
9	A56117R	GREEN WASHER
10		
11	N/A	N/A
12		
13	A56026R	HARDWARE
14	N/A	N/A
15		
16	A56026R	HARDWARE
17	A56095R	SUPPLY HOSES (1 PAIR, 1 RED & 1 BLUE)
18		
19		
20	A56026R	HARDWARE
21		
22		
23		
24		
25	N/A	N/A
26		
27		
28		
29		
30	A56116R	O-RING
30		
31		
32	A56000R - CHROME	SPOUT ASSEMBLY (ALSO INCLUDES SPOUT ASSEMBLY)
33	A56001R - BRUSHED NICKEL	
34	A56002R - BRUSHED CHROME	
35		
36		
37	A56040R - CHROME	AERATOR ASSEMBLY
38	A56041R - BRUSHED NICKEL	
38	A56042R - BRUSHED CHROME	
39	A56026R	HARDWARE