



see what Delta can do™

# HAND SHOWER

## ■ 5-Spray Setting Arm Mount Showerhead

### FEATURES:

- Touch-Clean® Nozzles

### STANDARD SPECIFICATIONS:

- Maximum 1.75 gpm @ 80 psi, 6.6 L/min @ 550 kPa
- 72" (1829 mm) Ultra Flex hose feature vacuum breaker (RB and PB finishes only)
- 72" (1829 mm) metal hose (Chrome and SN finishes only)
- 60" (1524 mm) metal hose (WH finish only)
- Adjustable shower arm mounting for hands-free showering
- Easy-turn spray dial

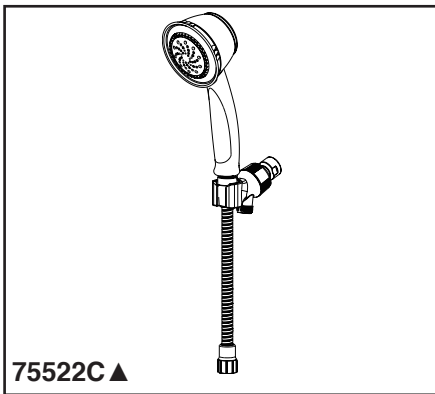
### WARRANTY

- Lifetime limited warranty on parts (other than electronic parts and batteries) and finishes; or, for commercial users, for 5 years from the date of purchase.
- 5 year limited warranty on electronic parts (other than batteries); or for commercial users, for 1 year from the date of purchase. No warranty is provided on batteries.



### COMPLIES WITH

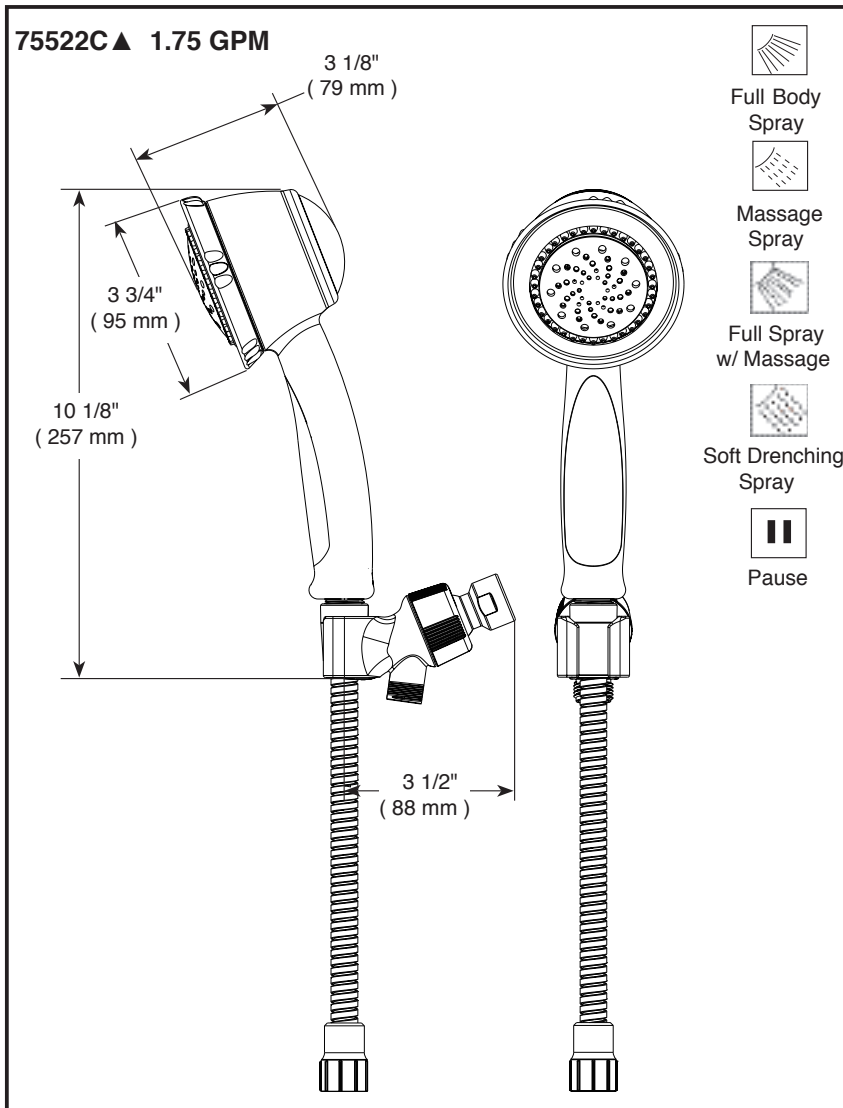
- ASME A112.18.1 / CSA B125.1
- EPA WaterSense®



75522C ▲

Submitted Model No.: \_\_\_\_\_

Specific Features: \_\_\_\_\_



▲ Designate proper finish suffix

Delta reserves the right (1) to make changes in specifications and materials, and (2) to change or discontinue models, both without notice or obligation. Dimensions are for reference only. See current full-line price book or [www.deltafaucet.com](http://www.deltafaucet.com) for finish options and product availability.

### Delta Faucet Company

55 E. 111th Street, Indianapolis, IN 46280  
350 South Edgeware Road, St. Thomas, ON N5P 4L1  
© 2017 Delta Faucet Company