

GP-A SERIES - 2 HP

APPLICATIONS

Ideal for residential sewage waste transfer where high head conditions exist

FEATURES

- Powerful 2 hp single-phase, 3450 rpm with capacitor start/run motor with built-in overload protection to prevent over-current and over-temperature damage
- High starting torque motor to handle the demands of grinding domestic sewage
- Start/Run components encased in oil-free chamber unique for easy access - requires no control panel
- Epoxy-coated cast iron finish for corrosion resistance and durability
- Mechanical seal: carbon/ceramic
- Deflection-resistant, short motor shaft
- Corrosion-resistant brass impeller
- Seven-vane, angled face, non-clogging impeller
- Tight cutting clearances for superior cutting action, grinding 414,000 cuts per minute
- Optional mechanical float switch for automatic operation
- Automatic operation with leg kit and tether at 9":
 - "On" 23" - 25"
 - "Off" 9" - 11"
- GLK - Grinder Leg Kit included



(U.S. Patent No. 7,237,736)

SERIES SPECIFICATIONS

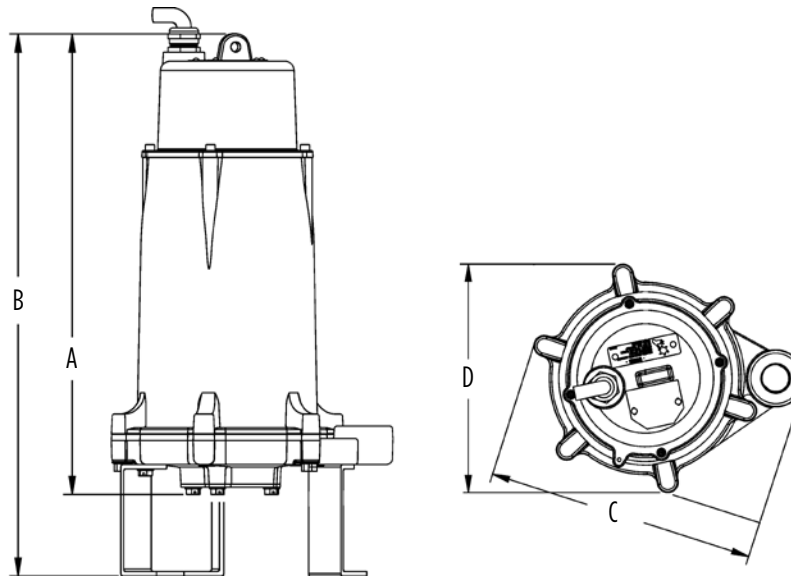
Item No.	Model	HP	Volts	Hz	Phase	Full Load		Switch Type/ Operation	Performance (GPM @ Height in Feet)						Shut-Off (ft)	PSI	Cord	Weight
						Amps	Watts		20'	40'	60'	80'	100'	120'				
520861	GP-A231-20	2	208-230	60	1	13.9	3200	Mechanical Float	32	31	30	25	20	10	130	56	20' 6.1 m	101 lbs 45.8 Kg
*520863	GP-A231-30	2	208-230	60	1	13.9	3200	-	32	31	30	25	20	10	130	56	30' 9.1 m	104 lbs 47.2 Kg

*No float

GRINDER PUMPS

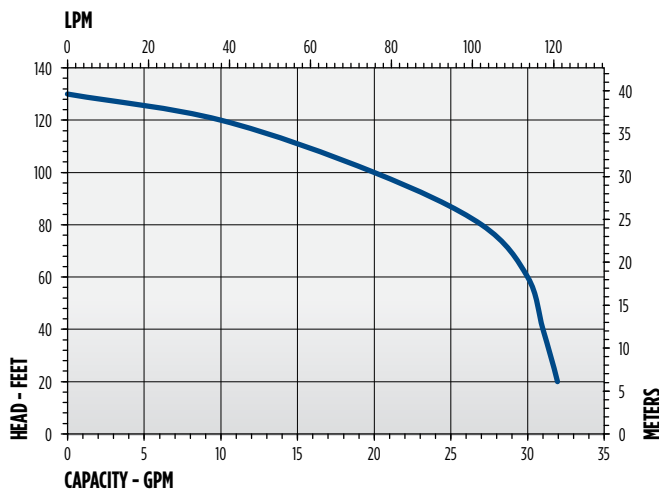
GP-A SERIES - 2 HP

ENGINEERING DATA



Model	A	B	C	D
GP-A	18.61" 47.57 cm	21.56" 54.76 cm	11.5" 29.21 cm	9.63" 24.46 cm

PERFORMANCE DATA



CONSTRUCTION

Motor Cover	Cast iron with epoxy coating
Motor Cover O-Ring	Nitrile
Motor Design	Single-phase, capacitor start, capacitor run
Insulation Class	F
Overload Protection	Internal, on winding thermal protector
Motor Shaft	AISI 300 Series stainless steel
Ball Bearing - Upper	Single row ball, 6203
Ball Bearing - Lower	Single row ball, 6306
Seal Housing	Cast iron with epoxy coating
Mechanical Seal	Carbon/ceramic
Volute	Cast iron with epoxy coating
Impeller	Brass
Rotating Cutter	2 blade design, AISI 440C stainless steel, through-hardened to Rockwell 55-60C
Stationary Cutter	AISI 440C stainless steel, hardened to Rockwell 55-60C
External Hardware	300 Series stainless steel
Power Cable	Type SOW or SOW 14/3 AWG