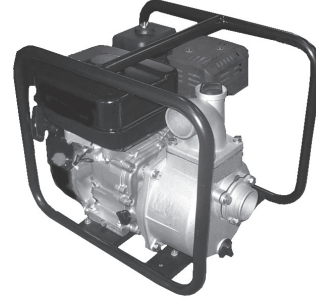


! SAFETY WARNINGS



BEFORE OPERATING OR INSTALLING THIS PUMP, READ THIS MANUAL AND FOLLOW ALL SAFETY WARNINGS AND OPERATING INSTRUCTIONS.



SAFETY

! WARNING: Carefully read the safety messages in this manual and on the pump. Keep this manual with the pump at all times.

! ATTENTION: RENTAL COMPANIES AND PRIVATE OWNERS WHO RENT OR LEND THIS PUMP TO OTHERS:

All persons to whom you rent or lend this pump must have access to and read this owner's manual. Keep this manual with the pump at all times and advise all persons who will operate the pump to read it. You must also provide personal instruction on how to safely operate the pump, and you must be available to answer any questions that the renter or borrower might have.

! WARNING: WHEN STARTING THE PUMP:

Rapid retraction (kickback) of the starter cord can pull your hand and arm toward the engine faster than you can let go. Broken bones, fractures, bruises, or sprains could result. To avoid kickback, pull the starter cord slowly until resistance is felt, then pull rapidly to start the engine.

Keep your hands and body clear from the discharge of the pump.

Make sure all connections are tight.

Secure the pump. Loads from the hoses may cause tipover.

Secure the discharge hose to avoid whipping.

Unintentional sparking can result in fire or electric shock. DO NOT crank the engine with the spark plug removed. Ensure that the spark plug, muffler, fuel cap, and air cleaner are in place.

If fuel spills, wait until it evaporates before starting engine.

! WARNING: WHEN OPERATING THE PUMP:

When running, the engine on this pump produces carbon monoxide, an odorless, colorless, poison gas. Breathing carbon monoxide can cause nausea, fainting, or death. Operate this pump ONLY outdoors. Do not operate the pump inside any building, confined area, or enclosure such as basements, garages, or similar locations, even if doors and windows are open.

The engine exhaust from this pump contains chemicals known to the State of California to cause cancer, birth defects, and other reproductive harm.

Keep exhaust gas from entering a confined area through windows, doors, ventilation intakes, or other openings.

The starter and other rotating parts can entangle hands, hair, clothing, or accessories. NEVER place hands or body parts inside of running pump or hoses. DO NOT wear loose clothing, jewelry, or anything that may be caught in the starter or other rotating parts. Tie up long hair and remove jewelry.

Running engines produce heat. The temperature of the muffler and nearby areas can reach or exceed 150°F (65°C). Severe burns can occur on contact.

Avoid hot exhaust gases and DO NOT touch hot surfaces.

The pump must be at least 5 feet from structures having combustible walls and/or other combustible materials such as leaves, grass, and brush. These can catch fire.

Reflective exhaust heat may damage the fuel tank, causing fire. Keep at least 3 feet of clearance on all sides of the pump for adequate cooling, maintenance, and servicing.

DO NOT use to pump flammable liquids such as fuel or fuel oils.

DO NOT use to pump fluid intended for human consumption.

DO NOT use in mobile equipment or marine applications.

DO NOT tip the pump at an angle that causes fuel to spill.

Secure the pump. Loads from the hoses may cause tipover.

DO NOT stop the engine by moving the choke lever to the CHOKE position.

Wear ear protection to reduce objectionable noise.

Code of Federal Regulation (CFR) Title 36 Parks, Forests, and Public Property require equipment powered by an internal combustion engine to have a spark arrester, maintained in effective working order, complying to USDA Forest service standard 5100-1C or later revision. In the State of California a spark arrester is required under section 4442 of the California Public resources code. Other states may have similar laws.

! WARNING: WHEN ADJUSTING OR MAKING REPAIRS TO THE PUMP:

Turn the engine off.

Allow equipment to cool before touching.

Disconnect the spark plug wire from the spark plug and place the wire where it cannot contact the plug.

! WARNING: WHEN TESTING FOR ENGINE SPARK:

Use an approved spark plug tester.

DO NOT check for spark with spark plug removed.

! WARNING: WHEN ADDING OR DRAINING FUEL:

Turn the pump OFF and let it cool at least 2 minutes before removing the fuel cap.

Loosen the cap slowly to relieve pressure in tank.

Fill or drain the fuel tank outdoors.

DO NOT overfill the fuel tank. Allow space for fuel expansion.

Keep fuel away from sparks, open flames, pilot lights, heat, and other ignition sources.

DO NOT light a cigarette or smoke.

! WARNING: WHEN TRANSPORTING OR REPAIRING THE PUMP:

Empty the fuel tank or close the fuel valve.

Disconnect the spark plug wire.

! WARNING: WHEN STORING FUEL (OR PUMP WITH FUEL IN TANK):

Store the pump away from furnaces, stoves, water heaters, clothes dryers, or other appliances that have a pilot light or other ignition source because they can ignite fuel vapors.

! CAUTION: DO NOT operate this pump dry!

Excessively high operating speeds increase risk of injury and damage to pump. Excessively low speeds impose a heavy load.

DO NOT tamper with the governed speed.

DO NOT modify the pump in any way.

DO NOT allow unqualified persons or children to operate or service pump.

DO NOT insert any objects through cooling slots.

Treating the pump improperly can damage it and shorten its life.

Be sure pump chamber is filled with water before starting the engine. NEVER run pump without priming.

Use a non-collapsible hose on the suction side of the pump.

Use the pump only for its intended uses.

SAFETY (continued)

Pumping sea water, beverages, acids, chemical solutions, or any other liquid that promotes corrosion can damage the pump.

Ensure all connections are air-tight.

DO NOT obstruct the suction or discharge hose in any way.

DO NOT operate the pump without a strainer basket connected to the end of the suction hose.

DO NOT exceed the maximum suction head of 25 ft (8 m). Use the shortest suction head possible.

DO NOT allow vehicles to drive over hoses. If a hose must be positioned across a roadway, use planking on each side of the hose to allow vehicles to pass over without obstructing or collapsing hose.

Anchor the pump to avoid pump movement ("creeping"), especially if located near a ditch or edge of open ravine. The pump could fall in.

Keep the pump away from the edge of a river or lake, where it could cause the bank to collapse.

APPLICATION

Use this pump for water only, where the vertical suction head from the water level is 25 ft (8m) or less. Head refers to the height of a column of water that can be delivered by the discharge of the pump (Figure 1). Suction head (or suction lift) is the vertical distance between the center of the pump and the surface of the liquid on the suction side of the pump. Discharge head is the vertical distance between the pump's discharge port and the point of discharge. Total head is the sum of the

suction head and the discharge head. The elevation above sea level and friction losses must be taken into consideration. **CAUTION:** Do not operate this pump dry. Water is required to lubricate pump seal. This pump has been tested and operated under actual working conditions. Engine, pump, and all accessories were found satisfactory. If the pump is not performing as specified, check the INSTALLATION and TROUBLESHOOTING sections carefully.

INSTALLATION

1. **LOCATION:** Locate the pump on a flat, level surface in a clean, dry, and ventilated place. Keep the suction line as short as possible; this will allow the pump to operate at maximum performance and to ensure that the casing does not overheat due to the absence of water.
2. **MOUNTING:** Mount the pump on a rigid foundation to eliminate creeping due to vibration.
3. **SUCTION LINE:** Use a suction line the same size as the suction on the pump. If the suction pipe is long, increase it by one size to improve flow. Slope the suction line upwards to the pump to avoid air pockets in the line and hard priming.

4. **SUCTION PIPE:** Use thread compound on all pipe joints. Connections must be tight. Clean, uncorroded pipe is recommended.
5. **SUCTION HOSE:** If the suction line runs basically vertically, use an elbow on the hose to prevent kinking. Use double clamps on all hose joints. Connections must be tight. A suction strainer is required to filter abrasive material.

NOTE: If you use the pump for dewatering, attach a suction screen to the suction line.

NOTE: The main cause of pumping problems is a leak in the suction line. Even a tiny leak reduces priming and pumping greatly.

OPERATION

PREPARING THE ENGINE

ADD ENGINE OIL:

CAUTION: DO NOT attempt to crank or start the engine before it has been filled properly with the recommended type and amount of oil. Damage to the pump as a failure to follow these instructions will void the warranty.

CAUTION: DO NOT run the pump before priming it. The seal and impeller could be permanently damaged.

1. Ensure that the pump is on a flat, level surface.
2. Remove the oil fill cap/dipstick.
3. Add 0.63 quart (0.6 L) of oil.
4. Replace oil fill cap/dipstick.
5. Check the engine oil level before every use and add as needed.

ADD FUEL:

WARNING: Fuel and its vapors are extremely flammable and explosive. Fire or explosions can cause severe burns or death. DO NOT add fuel indoors. DO NOT add fuel when the engine is running or hot. DO NOT light cigarettes or smoke when adding fuel.

1. Clean the area around the fuel cap.
2. Remove the fuel cap.
3. Slowly add fuel to the tank, using clean, fresh, regular unleaded fuel with a minimum octane rating of 85. Fill the tank to approximately 1/2" below the top to allow for fuel expansion. DO NOT overfill the tank. DO NOT mix oil with fuel.
4. Replace the fuel cap and wipe away any spilled fuel.

PRIMING THE PUMP

CAUTION: Do not operate this pump dry.

1. Remove the priming plug.
2. Fill the casing with water.
3. Replace the plug. **NOTE:** If the pump is below the level of the water that will be pumped (flooded suction), the pump will automatically fill up when the valves are open.

STARTING THE ENGINE

1. Ensure that the pump is on a flat, level surface.
2. Turn the fuel valve to the ON position.
3. Turn the ignition switch to the ON position.
4. Move the choke lever to the CHOKE position.
5. Move the throttle left, approximately halfway toward the FAST position.
6. Pull the starter cord slowly until resistance is felt, then pull rapidly to start the engine. **NOTE:** The engine may require several pulls of the cord before starting.

7. As the engine warms, move the choke lever to the RUN position.
8. In a flooded suction situation, the pump will discharge water almost immediately. If the suction line is above the water level being pumped, it will take a few minutes to lift the water to the casing and then to discharge it. If the suction line is long, the pump may overheat before the water in the suction line reaches the pump. If this occurs:
 - a) Turn the engine off and remove the drain plug and priming plug to drain the casing.
 - b) Wait a few minutes for the seal in the pump casing to cool. **CAUTION:** If the overheated casing is filled while hot, damage to the seal will occur.
 - c) Replace the drain plug and refill the casing with water.
 - d) Replace the priming plug.
 - e) Move the choke lever to the CHOKE position and restart the engine as described above.
9. Pump performance can be adjusted using the throttle. To decrease pump output, slide the throttle to the right. To increase it, slide the throttle to the left.

STOPPING THE ENGINE

1. Move the throttle right, to the SLOW position.
2. Turn the ignition switch to the OFF position.
3. Turn the fuel valve to the OFF position.
4. Allow the engine to cool thoroughly.
5. After cooling, remove the priming plug and drain plug from the pump casing and allow it to drain completely.

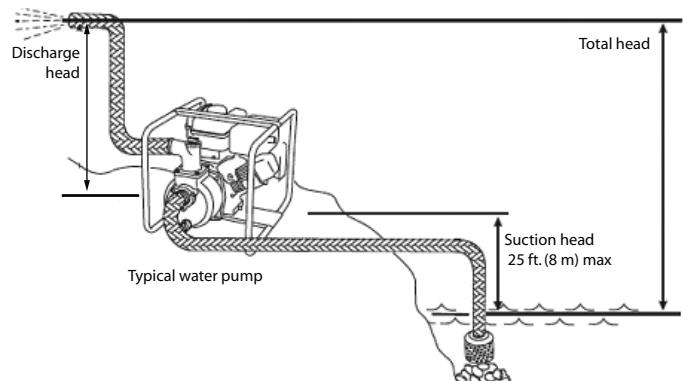


FIGURE 1

MAINTENANCE AND STORAGE

⚠ WARNING: Never operate a damaged or defective pump.

⚠ WARNING: To prevent accidental starting, remove and ground the spark plug wire before performing any service.

NOTE: The owner/operator is responsible for all periodic maintenance. Complete all scheduled maintenance in a timely manner. Correct any issues before operating the pump. Improper maintenance will void the pump's warranty.

OIL

Change the oil when the engine is warm. Refer to the SPECIFICATIONS section to select the proper grade of oil for your operating environment.

1. Remove the oil drain plug using a socket and extension.
2. Allow the oil to drain completely.
3. Replace the drain plug.
4. Remove the oil fill cap/dipstick.
5. Add 0.63 qt. (0.6 L) of oil.
6. Replace the oil fill cap/dipstick.
7. Dispose of used oil at an approved waste management facility.

SPARK PLUG

1. Remove the spark plug wire from the spark plug.
2. Use a 14 mm long-reach spark plug socket (supplied) to remove the plug.
3. Inspect the electrode on the plug. It must be clean and not worn to produce the spark required for ignition. Replace if necessary. See SPECIFICATIONS section for proper spark plug type.
4. Check the spark plug gap to ensure that it is between 0.024 - 0.028 inch (0.6 - 0.7 mm). Adjust if necessary.
5. Carefully thread the plug into the engine.
6. Use the spark plug socket to firmly install the plug.
7. Attach the spark plug wire to the plug.

AIR FILTER

1. Remove the wing nut and housing that secure the air filter to the assembly.
2. Remove the foam filter element.
3. Wash the filter element in liquid detergent and water. Rinse it thoroughly and squeeze it in a clean, absorbent cloth until dry.
4. Saturate the element in clean engine oil, then squeeze it in a clean, absorbent cloth to remove all excess oil.
5. Place the filter element in the assembly.
6. Reattach the air filter cover, then replace the air filter housing and wing nut.

CLEANING

CAUTION: DO NOT spray engine with water. Water can contaminate the fuel system.

1. Use a damp cloth to clean the exterior surfaces of the engine.
2. Use a soft-bristled brush to remove dirt and oil.
3. Use an air compressor (less than 25 PSI) to clear dirt and debris from the engine.

MAINTENANCE SCHEDULE*

Every 8 hours or before every use:

- Check the oil level and add as necessary.
- Clean around the air intake and muffler.
- Check for loose nuts, bolts, and attachments. Tighten any that are found.

First 5 hours:

- Change the oil.

First 10 hours:

- Check the valve clearance and adjust as necessary.**

Every 20 hours or every season:

- Clean the air filter.
- Change the oil.

Every 100 hours or every season:

- Clean and adjust the spark plug.
- Check the valve clearance and adjust as necessary.**
- Clean the fuel tank and filter.**

Every 3 years:

- Replace the fuel line**

*More frequent service is required when operating in dirty/dusty conditions or in extremely hot weather.

**To be performed by knowledgeable, experienced owners or certified service dealers.

DRAINING

If the pump is subject to freezing temperatures, drain it by removing the drain plug and priming plug. After the water has drained, run the pump for a few seconds to get the last of the water out of the casing. Make sure the suction and discharge lines are free of water.

STORAGE

⚠ WARNING: Store the pump in a well-ventilated area, away from heat, flame, or sparks.

1. Allow the engine to cool completely.
2. Clean the engine and pump according to the CLEANING section.
3. Drain all fuel from the fuel line and carburetor to prevent gum from forming.
4. Turn the fuel valve to the OFF position.
5. Add a fuel stabilizer to the fuel tank.
6. Change the oil.
7. Remove the spark plug and pour 1/2 ounce of oil into the cylinder. Crank the engine slowly to distribute the oil and lubricate the cylinder.
8. Install the spark plug.
9. Drain the water from the pump casing thoroughly.
10. Store the pump in a clean, dry area out of direct sunlight.

TROUBLESHOOTING

PROBLEMS	CAUSES	SOLUTIONS
Pump will not pump	Air leak in suction line.	Make sure suction hose is double clamped at joints, clamps are tight, fittings have thread compound and are tight, with no nicks or cuts in hose.
	The suction and/or discharge line(s) may be blocked, or the valve(s) are closed, faulty and/or blocked.	Check to see that the lines and valves are in good working order.
	The end of the suction line is not submerged.	Increase its length, or move pump closer to source of liquid.
	Total head is too high for this pump to work against.	Reduce total head or use a higher head pump.
Pump will not prime	Excessive suction lift (*1).	Move the pump closer to liquid source.
Priming takes a long time	Suction line is quite long.	Refer to START-UP under OPERATION.
	Air pockets or leaks in the suction line.	Check the line for loose connections.
Pump does not perform as well as it should	Flow is restricted due to: a) Debris build-up. b) Faulty or semi-open valve(s). c) Pipe or hose used is smaller than the thread sizes on the pump.	a) Clean the lines and fittings. b) Check to see that the valves are in good working order. c) Increase the size of hose or pipe to reduce friction losses.
	Insufficient submergence of the end of suction line.	The end of the suction line must be submerged.
	Excessively worn impeller (*2).	Replace impeller.
	Seal is damaged (*3). Liquid will be leaking through the middle of the adapter.	Replace the seal.
	Air pockets or leaks in the suction line.	Check suction line.
	Clogged impeller.	Remove casing to clean out.
	Engine throttle is in SLOW position	Move throttle to FAST position
Pump loses prime	Water level drops below the end of the suction line.	Increase length of suction line or move the pump closer to the water source.
Pump will not start	No fuel.	Allow engine to cool for 2 minutes, then fill fuel tank.
	Faulty spark plug.	Replace spark plug.
	Fuel valve lever is in the OFF position	Turn the fuel valve lever to the ON position.
	Ignition switch is in the OFF position	Turn the ignition switch to the ON position.
	Choke is in the wrong position.	Slide choke lever to the CHOKE position.
Pump starts, but runs roughly	Choke is in the wrong position.	Slide choke lever to the RUN position.
	Spark plug wire is loose.	Attach wire to spark plug securely.
	Faulty spark plug.	Replace spark plug.
	Fuel is contaminated (water, debris, etc.)	Allow engine to cool for 2 minutes, then drain fuel tank and carburetor. Fill tank with fresh fuel.
Pump shuts down during operation	No fuel.	Allow engine to cool for 2 minutes, then fill fuel tank.

*1) Excessive suction lift must take into consideration:

- a) Size and length of pipe
- b) Pipe fitting
- c) Elevation above sea level

Including all of the above, we recommend that the total suction head not exceed 25 ft.

*2) An excessively worn impeller is mainly caused from cavitation, which is caused by a number of situations, such as:





- a) Restricted suction
- b) Excessive suction lift

*3) The seal may be damaged due to:

- a) Normal wear
- b) Overheating
- c) Pumping chemicals that this seal is not designed for.

Contact an authorized service depot for further assistance.

SPECIFICATIONS

				
	5RLAG-2	6RLAG-2ST	6RLAG-3ST	6RLAG-3TT
Engine	OHV design, EPA-certified			
Performance	5.5 HP @ 3400 RPM	6.0 HP @ 4000 RPM		
Fuel type	Regular unleaded gasoline, 85 octane minimum*			
Fuel capacity	1.0 gallon (3.6 liters)			
Oil type	See Figure 2			
Oil capacity	0.63 quart (0.6 liter)			
Spark plug type	F6TC or equivalent			
Spark plug gap	0.024 - 0.028 inch (0.6 - 0.7 mm)			
Valve clearance, intake	0.005 - 0.007 inch (0.13 - 0.17 mm)			
Valve clearance, exhaust	0.007 - 0.009 inch (0.18 - 0.22 mm)			
Shut off	92 ft (28 m)	92 ft (28 m)	85 ft (26 m)	75 ft (23 m)
Suction head (max.)	25 ft (7.5 m)			
Intake size	2" NPT		3" NPT	
Discharge size	2" NPT		3" NPT	
Maximum flow	150 GPM (567 LPM)		264 GPM (1000 LPM)	285 GPM (1079 LPM)
Weight	52.9 lb (24.0 kg)		59.5 lb (27.0 kg)	88.2 lb (40.0 kg)
Height	15.5 in (39.4 cm)		18.0 in (45.7 cm)	17.5 in (44.5 cm)
Width	14.5 in (36.8 cm)		15.8 in (40.1 cm)	17.3 in (43.9 cm)
Length	18.0 in (45.7 cm)		20.6 in (57.3 cm)	21.4 in (54.4 cm)

*Use unleaded gasoline containing no more than 10% ethanol (E10) or 5% methanol by volume. The use of fuels with percentages of ethanol/methanol greater than indicated may cause starting and/or performance problems, and may damage metal, rubber, and plastic parts of the fuel system. Engine damage and/or performance problems resulting from the use of fuels with percentages of ethanol/methanol greater than indicated are not covered under warranty.

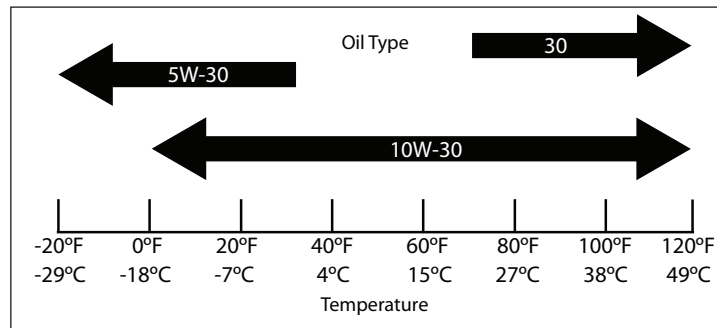
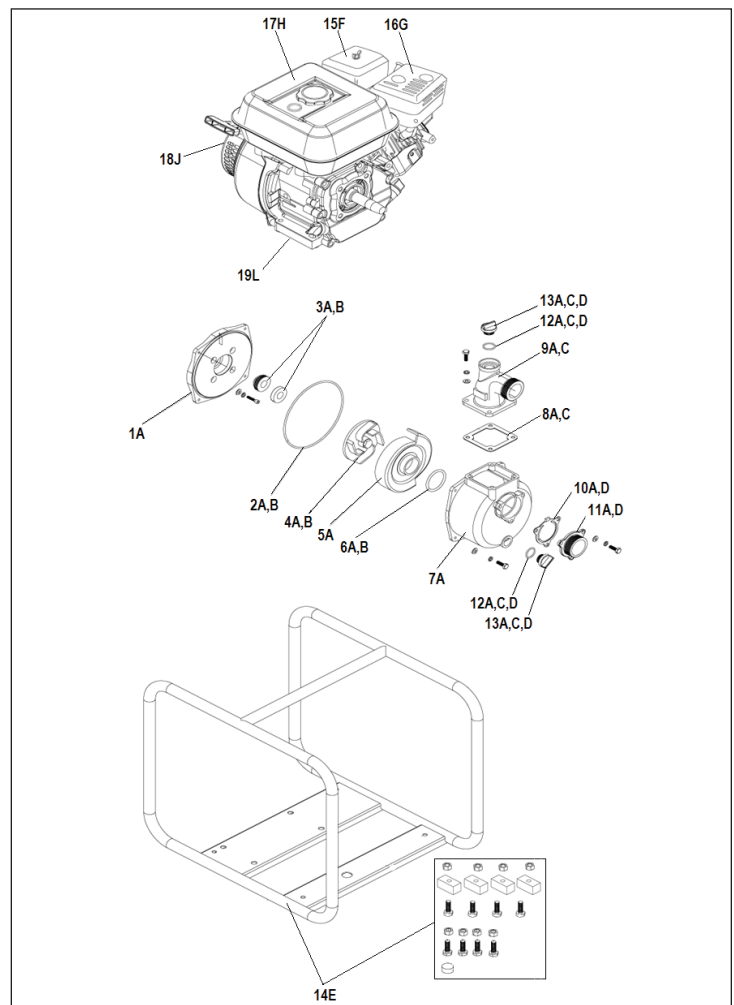
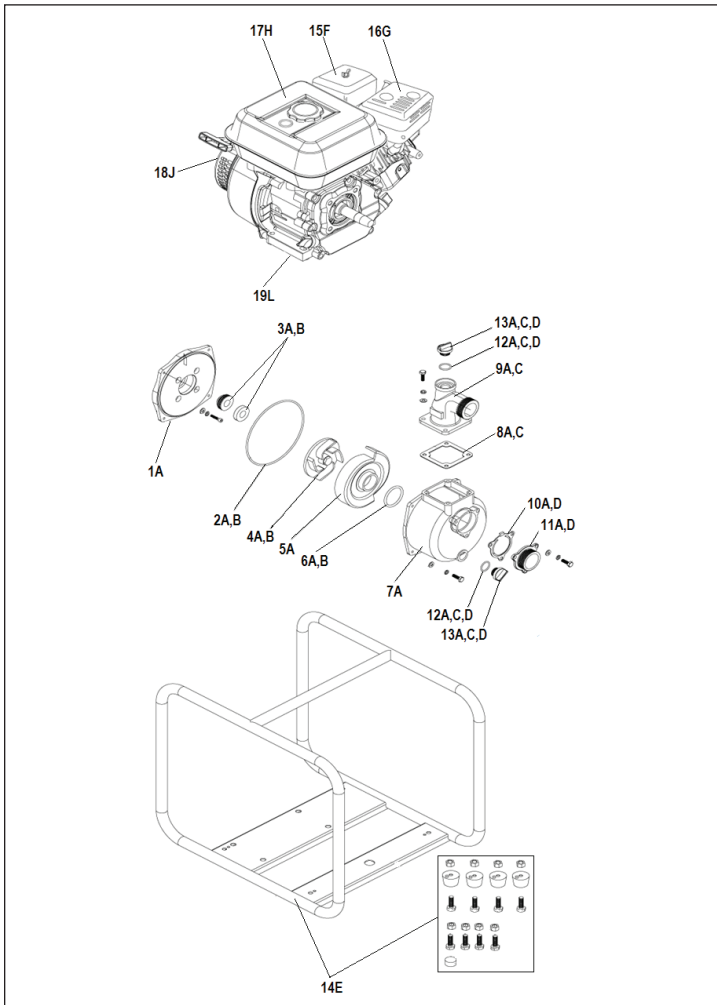


FIGURE 2

REPLACEMENT PARTS

MODELS 5RLAG-2 AND 6RLAG-2ST			
ITEM NO.	DESCRIPTION	KIT GROUP ID*	PART NO.
1	Adapter	A	617110
2	O-ring, 195mm ID	A	617110
		B	617111
3	Mechanical seal	A	617110
		B	617111
4	Impeller with washer	A	617110
		B	617111
5	Casing volute	A	617110
6	Volute packing	A	617110
		B	617111
7	Pump casing	A	617110
8	Gasket	A	617110
		C	617112
9	Discharge flange	A	617110
		C	617112
10	Flapper	A	617110
		D	617113
11	Suction flange	A	617110
		D	617113
12	O-ring, 25mm ID	A	617110
		C	617112
		D	617113
13	Cap plug	A	617110
		C	617112
		D	617113
14	Roll frame	E	617114
15	Air filter assembly	F	617130
16	Muffler assembly	G	617131
17	Fuel tank	H	617132
18	Recoil assembly	J	617133
19	Engine	L	617136
--	Accessory kit (not shown)**	--	617134
--	Air filter (not shown)	--	617135

MODEL 6RLAG-3ST			
ITEM NO.	DESCRIPTION	KIT GROUP ID*	PART NO.
1	Adapter	A	617115
2	O-ring, 218mm ID	A	617115
		B	617116
3	Mechanical seal	A	617115
		B	617116
4	Impeller with washer	A	617115
		B	617116
5	Casing volute	A	617115
6	Volute packing	A	617115
		B	617116
7	Pump casing	A	617115
8	Gasket	A	617115
		C	617117
9	Discharge flange	A	617115
		C	617112
10	Flapper	A	617115
		D	617118
11	Suction flange	A	617115
		D	617118
12	O-ring, 25mm ID	A	617115
		C	617117
		D	617118
		A	617115
13	Cap plug	C	617117
		D	617118
		E	617119
14	Roll frame	E	617119
15	Air filter assembly	F	617130
16	Muffler assembly	G	617131
17	Fuel tank	H	617132
18	Recoil assembly	J	617133
19	Engine	L	617136
--	Accessory kit (not shown)**	--	617134
--	Air filter (not shown)	--	617135

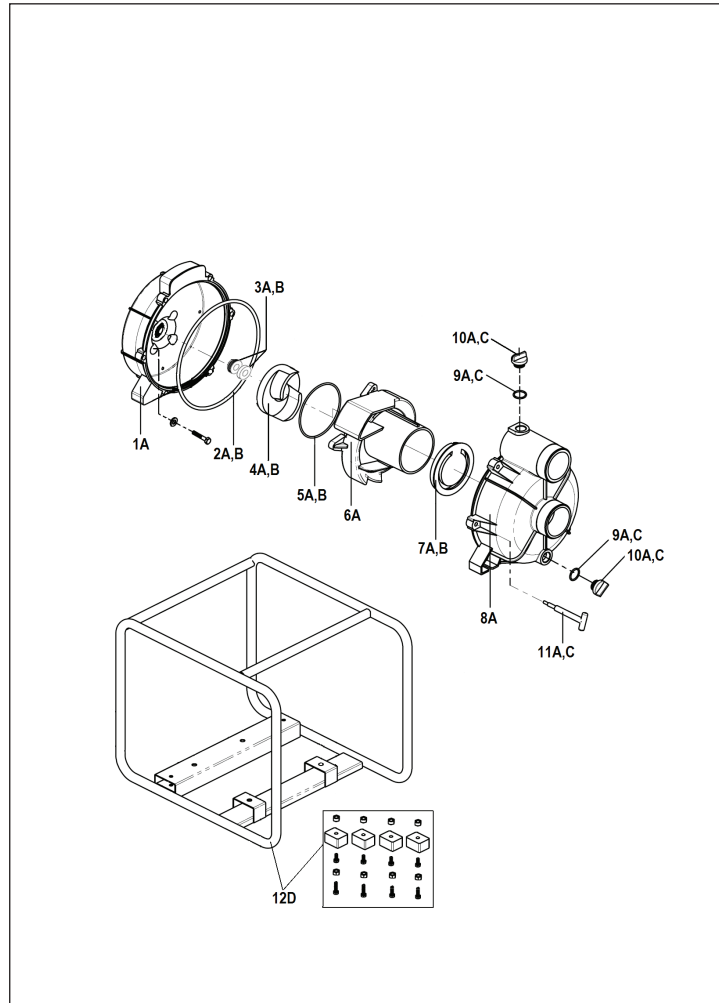


REPLACEMENT PARTS

MODEL 6RLAG-3TT			
ITEM NO.	DESCRIPTION	KIT GROUP ID*	PART NO.
1	Adapter	A	617120
2	O-ring, 265mm ID	A	617120
		B	617121
3	Mechanical seal	A	617120
		B	617121
4	Impeller with washer	A	617120
		B	617121
5	O-ring, 132mm	A	617120
		B	617121
6	Casing volute	A	617120
7	Flapper valve	A	617120
		B	617121
8	Pump casing	A	617120
9	O-ring, 25mm ID	A	617120
		C	617122
10	Cap plug	A	617120
		C	617122
11	T-bolt	A	617120
		C	617122
12	Roll frame	D	617123
13	Air filter assembly	E	617130
14	Muffler assembly	F	617131
15	Fuel tank	G	617132
16	Recoil assembly	H	617133
17	Engine	J	617136
--	Accessory kit (not shown)**	--	617134
--	Air filter (not shown)	--	617135

*Items with like identifiers are sold/packaged together. As a convenience, each repair kit includes the fasteners needed for the reassembly of its components.

**Includes: fuel tank cap, fuel filter cup, oil drain plug with rubber washer, fuel line, fuel line clamps.



LIMITED WARRANTY:

For warranty consideration, Franklin Electric Company, Inc. and its subsidiaries (hereafter "the Company") warrants that the products specified in this warranty are free from defects in material or workmanship of the Company. During the time periods and subject to the terms and conditions hereinafter set forth, the Company will repair or replace to the original user or consumer any portion of this product which proves defective due to materials or workmanship of the Company. At all times the Company shall have and possess the sole right and option to determine whether to repair or replace defective equipment, parts, or components. The Company has the option to inspect any product returned under warranty to confirm that the warranty applies before repair or replacement under warranty is approved. This warranty sets forth the Company's sole obligation and purchaser's exclusive remedy for defective product. Return defective product to the place of purchase for warranty consideration.

WARRANTY PERIOD - PRODUCTS: 12 months from date of purchase by the user. In the absence of suitable proof of the purchase date, the effective period of this warranty will begin on the product's date of manufacture.

WARRANTY PERIOD – EMISSIONS CONTROL SYSTEM: 24 months from date of purchase by the user. Please refer to the engine manufacturer's owner's manual for details regarding the emissions control system warranty (ECS Warranty).

LABOR, ETC. COSTS: The Company shall IN NO EVENT be responsible or liable for the cost of field labor or other charges incurred by any customer in removing and/or affixing any product, part or component thereof.

PRODUCT IMPROVEMENTS: The Company reserves the right to change or improve its products or any portions thereof without being obligated to provide such a change or improvement for units sold and/or shipped prior to such change or improvement.

GENERAL TERMS AND CONDITIONS: This warranty shall not apply to damage due to acts of God, normal wear and tear, normal maintenance services and the parts used in connection with such service, lightning or conditions beyond the control of the Company, nor shall it apply to products which, in the sole judgment of the Company, have been subject to negligence, abuse, accident, misapplication, tampering, alteration; nor due to improper installation, operation, maintenance or storage; nor to excess of recommended maximums as set forth in the instructions.

Warranty will be VOID if any of the following conditions are found:

1. Product is used for purposes other than those for which it was designed and manufactured
2. Product not installed in accordance with applicable codes, ordinances and good trade practices
3. Pump allowed to operate dry (fluid supply cut off)
4. Engine housing opened or product dismantled by customer

DISCLAIMER: Any oral statements about the product made by the seller, the Company, the representatives or any other parties, do not constitute warranties, shall not be relied upon by the user, and are not part of the contract for sale. Seller's and the Company's only obligation, and buyer's only remedy, shall be the replacement and/or repair by the Company of the product as described above. NEITHER SELLER NOR THE COMPANY SHALL BE LIABLE FOR ANY INJURY, LOSS OR DAMAGE, DIRECT, INCIDENTAL OR CONSEQUENTIAL (INCLUDING, BUT NOT LIMITED TO, INCIDENTAL OR CONSEQUENTIAL DAMAGES FOR LOST PROFITS, LOST SALES, INJURY TO PERSON OR PROPERTY, OR ANY OTHER INCIDENTAL OR CONSEQUENTIAL LOSS), ARISING OUT OF THE USE OR THE INABILITY TO USE THE PRODUCT, AND THE USER AGREES THAT NO OTHER REMEDY SHALL BE AVAILABLE TO IT. Before using, the user shall determine the suitability of the product for his intended use, and user assumes all risk and liability whatsoever in connection therewith. THE WARRANTY AND REMEDY DESCRIBED IN THIS LIMITED WARRANTY IS AN EXCLUSIVE WARRANTY AND REMEDY AND IS IN LIEU OF ANY OTHER WARRANTY OR REMEDY, EXPRESSED OR IMPLIED, WHICH OTHER WARRANTIES AND REMEDIES ARE HEREBY EXPRESSLY EXCLUDED, INCLUDING BUT NOT LIMITED TO ANY IMPLIED WARRANTY OF MERCHANTABILITY OR FITNESS FOR A PARTICULAR PURPOSE, TO THE EXTENT EITHER APPLIES TO A PRODUCT SHALL BE LIMITED IN DURATION TO THE PERIODS OF THE EXPRESSED WARRANTIES GIVEN ABOVE. Some states and countries do not allow the exclusion or limitations on how long an implied warranty lasts or the exclusion or limitation of incidental or consequential damages, so the above exclusion or limitations may not apply to you. This warranty gives you specific legal rights, and you may also have other rights which vary from state to state and country to country.

CALL FOR RETURNED MERCHANDISE AUTHORIZATION
(RMA) PRIOR TO RETURN

Toll-Free Help Hotline: 1-888-956-0000

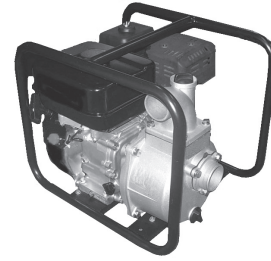
E-mail: wts-orders@fele.com

www.redlionproducts.com

RED LION

⚠️ CONSIGNES DE SÉCURITÉ

AVANT D'INSTALLER OU D'UTILISER CETTE POMPE, PRIÈRE DE LIRE LE PRÉSENT GUIDE ET SUIVRE TOUTES LES RÈGLES DE SÉCURITÉ ET INSTRUCTIONS D'UTILISATION.

**SÉCURITÉ**

⚠️ AVERTISSEMENT : Lire attentivement les avis de sécurité se trouvant dans le présent manuel et sur la pompe. Conserver ce manuel avec la pompe en tout temps.

⚠️ ATTENTION : ENTREPRISES DE LOCATION ET PROPRIÉTAIRES PRIVÉS QUI LOUEZ CETTE POMPE À EAU À D'AUTRES UTILISATEURS :

Toutes les personnes à qui cette pompe est louée ou prêtée doivent avoir accès et lire ce manuel de l'utilisateur. Conserver ce manuel avec la pompe en tout temps et aviser tout utilisateur de cette pompe de lire ce manuel. Il vous incombe également de fournir des instructions personnelles sur l'utilisation sécuritaire de la pompe et d'être prêt à répondre à toute question que pourrait poser la personne qui loue ou emprunte la pompe.

⚠️ AVERTISSEMENT : AU DÉMARRAGE DE LA POMPE :

Une rétraction rapide (effet de recul) de la corde de lancement peut soudainement entraîner la main et le bras vers le moteur avant d'avoir le temps de relâcher la corde. Il peut en résulter des fractures, des ecchymoses ou des entorses. Pour éviter tout effet de recul, tirer lentement sur la corde de lancement jusqu'à ce que l'on sente une résistance, puis tirer rapidement sur la corde pour démarrer le moteur.

Tenir les mains et autres parties du corps éloignées de la sortie de la pompe.

S'assurer que toutes les connexions sont bien serrées.

Fixer solidement la pompe. La charge exercée par les tuyaux risque de causer un renversement.

Fixer solidement le tuyau de refoulement pour éviter tout coup de fouet.

Toute étincelle accidentelle peut causer un incendie ou une décharge électrique. NE PAS démarrer le moteur si la bougie est enlevée. S'assurer que la bougie, le silencieux, le bouchon du réservoir d'essence et le filtre à air sont en place.

En cas de déversement d'essence, attendre qu'il s'évapore avant de démarrer le moteur.

⚠️ AVERTISSEMENT : AU DÉMARRAGE DE LA POMPE :

Lorsqu'il fonctionne, le moteur de cette pompe produit du monoxyde de carbone, un gaz toxique sans odeur et sans couleur. L'inhalation de monoxyde de carbone peut causer des nausées, un évanouissement ou la mort. Utiliser cette pompe à l'extérieur SEULEMENT. Ne pas utiliser la pompe à l'intérieur d'un édifice, d'une zone confinée ou fermée comme des sous-sols, des garages ou d'autres emplacements similaires, même si les portes et les fenêtres sont ouvertes.

L'échappement du moteur de cette pompe renferme des produits chimiques connus dans l'État de la Californie pour causer le cancer, des anomalies congénitales et un danger pour la reproduction.

Empêcher les gaz d'échappement de pénétrer dans une zone confinée, que ce soit par des fenêtres, des portes, des bouches de ventilation ou par toute autre ouverture.

Les mains, cheveux, vêtements ou accessoires peuvent être happés par le démarreur et les autres pièces tournantes. NE JAMAIS mettre les mains ou autres parties du corps à l'intérieur de la pompe ou des tuyaux en service. NE PAS porter de vêtements amples, de bijoux ou tout autre objet pouvant se prendre dans le démarreur ou toute autre pièce tournante. Attacher les cheveux longs et enlever les bijoux.

Les moteurs en marche produisent de la chaleur. La température du silencieux et des zones environnantes peut atteindre ou dépasser 65 °C (150 °F). De graves brûlures peuvent survenir au contact de pièces chaudes.

Éviter les gaz d'échappement chauds et NE PAS toucher les surfaces chaudes.

La pompe doit se trouver à au moins 1,5 m (5 pi) des structures pourvues de murs combustibles ou des matières combustibles comme les feuilles, le gazon et les broussailles. Ces matières peuvent prendre feu.

La chaleur réfléchissante de l'échappement peut endommager le réservoir d'essence et causer un incendie. Maintenir une distance minimale de 91,4 cm (3 pi) autour de la pompe afin d'assurer un refroidissement, un entretien et des travaux de réparation adéquats.

NE PAS utiliser pour pomper des liquides inflammables comme de

NE PAS utiliser pour pomper un liquide destiné à la consommation humaine.

NE PAS utiliser dans un équipement mobile ou des applications maritimes.

NE PAS incliner la pompe à un angle causant un déversement d'essence.

Fixer solidement la pompe. La charge exercée par les tuyaux peut causer un renversement.

NE PAS arrêter le moteur en déplaçant le levier d'étrangleur à la position Étrangleur.

Porter un appareil de protection acoustique afin de réduire les effets du bruit.

Le Code of Federal Regulation (CFR) Title 36 Parks, Forests, and Public Property exige qu'un équipement actionné par un moteur à combustion interne soit doté d'un pare-étincelles maintenu en bon état de fonctionnement, en conformité avec la norme Service des forêts de la USDA 5100-1C ou une révision ultérieure. Dans l'État de la Californie, le pare-étincelles est obligatoire en vertu de l'article 4442 du code des ressources publiques de la Californie. D'autres États peuvent avoir promulgué des lois semblables.

⚠️ AVERTISSEMENT : AU MOMENT D'EFFECTUER DES RÉGLAGES OU DES RÉPARATIONS SUR LA POMPE :

Éteindre le moteur.

Laisser la pompe refroidir avant d'y toucher.

Débrancher le fil de la bougie et le mettre à un endroit où il ne peut entrer en contact avec la bougie.

⚠️ AVERTISSEMENT : AU MOMENT DE VÉRIFIER L'ALLUMAGE DU MOTEUR :

Utiliser un vérificateur de bougies d'allumage approuvé.

NE PAS vérifier l'allumage si la bougie est enlevée.

⚠️ AVERTISSEMENT : AU MOMENT D'AJOUTER DE L'ESSENCE OU DE LA VIDANGER :

Éteindre la pompe et la laisser refroidir pendant au moins 2 minutes avant d'enlever le bouchon du réservoir d'essence.

Desserrer lentement le bouchon pour dépressuriser le réservoir.

Remplir ou vidanger le réservoir d'essence à l'extérieur.

NE PAS remplir de manière excessive le réservoir d'essence. Laisser un volume d'expansion.

Tenir l'essence à l'écart des étincelles, des flammes nues, des voyants lumineux, de la chaleur et d'autres sources d'inflammation.

NE PAS allumer de cigarette ni fumer.

⚠️ AVERTISSEMENT : AU MOMENT DE TRANSPORTER OU DE RÉPARER LA POMPE :

Vider le réservoir d'essence ou fermer le robinet d'arrêt d'essence.

Débrancher le fil de la bougie.

⚠️ AVERTISSEMENT : AU MOMENT D'ENTREPOSER L'ESSENCE (OU LA POMPE DONT LE RÉSERVOIR CONTIENT DE L'ESSENCE) :

Entreposer la pompe loin des appareils de chauffage, des poêles, des chauffe-eau, des sècheuses ou d'autres appareils électriques pourvus d'un voyant lumineux ou de toute autre source d'inflammation pouvant enflammer les vapeurs d'essence.

⚠️ MISE EN GARDE : NE PAS faire fonctionner cette pompe à sec !

Une vitesse de pompage excessivement élevée augmente le risque de blessures et de dommages à la pompe. Une vitesse excessivement basse fait supporter à la pompe une lourde charge.

NE PAS modifier la vitesse réglée.

NE PAS modifier la pompe.

SÉCURITÉ

NE PAS permettre aux personnes non qualifiées ou aux enfants d'utiliser ou de réparer la pompe.

NE PAS insérer d'objets par les fentes de refroidissement.

Un usage impropre de la pompe peut l'endommager et raccourcir sa durée de vie.

S'assurer que la chambre de pompage est remplie d'eau avant de démarrer le moteur. NE JAMAIS faire fonctionner la pompe sans l'avoir amorcée.

Utiliser un tuyau semi-rigide du côté aspiration de la pompe.

Utiliser la pompe uniquement aux fins prévues.

Le pompage d'eau de mer, de boissons, d'acides, de solutions chimiques ou de tout autre liquide favorisant la corrosion peut endommager la pompe.

S'assurer que toutes les connexions sont hermétiques.

NE PAS obstruer le tuyau d'aspiration ou de refoulement.

NE PAS faire fonctionner la pompe sans panier-filtre raccordé à l'extrémité du tuyau d'aspiration.

NE PAS excéder la hauteur d'aspiration de 8 m (25 pi) et la hauteur totale de 32 m (106 pi). Utiliser la hauteur d'aspiration la plus faible possible.

NE PAS permettre aux véhicules de passer sur les tuyaux. Si un tuyau doit traverser une chaussée, utiliser des pièces intercalaires de chaque côté du tuyau pour permettre aux véhicules de passer dessus sans obstruer ni écraser le tuyau.

Ancrer la pompe pour éviter qu'elle ne se déplace (glissement), surtout si elle se trouve près d'un fossé ou au bord d'un ravin. La pompe pourrait y tomber.

Tenir la pompe loin du bord d'une rivière ou d'un lac où elle pourrait causer l'effondrement de la berge.

UTILISATION

Utilisez ces pompes pour l'eau seulement, quand la succion verticale à partir du niveau du liquide est de 8 m (25 pi.) ou moins. La hauteur de charge se rapporte à la hauteur d'une colonne d'eau pouvant être produite par l'évacuation de la pompe (Figure 1). La hauteur totale de charge à l'aspiration est la distance verticale entre le centre de la pompe et la surface du liquide sur le côté aspiration de la pompe. La hauteur de refoulement est la distance verticale entre l'orifice d'évacuation de la pompe et le point d'évacuation. La hauteur totale de charge est la somme de la hauteur totale de charge à

l'aspiration et de la hauteur de refoulement. Il faut également tenir compte de l'élévation au-dessus du niveau de la mer et des pertes dues au frottement.

MISE EN GARDE : Ne pas faire fonctionner la pompe à vide. L'eau est requise pour lubrifier le joint étanche de la pompe. Le fonctionnement de la pompe a été vérifié dans des conditions de travail réelles. Le moteur, la pompe et tous les accessoires ont été jugés satisfaisants. Si la pompe ne fournit pas le rendement indiqué, vérifier l'installation et suivre soigneusement les INSTRUCTIONS et le GUIDE DE DÉPANNAGE.

INSTALLATION

1. **EMPLACEMENT :** En cas d'installation permanente placer la pompe dans un endroit propre, sec et aéré.

La longueur de la conduite d'aspiration doit être réduite au minimum afin de permettre un débit maximum. Conserver le conduit d'alimentation aussi court que possible permettra à la pompe de fonctionner à sa performance maximale et d'assurer que le carter ne devient pas surchauffé en raison de l'absence de l'eau.

2. **MONTAGE :** Fixer la pompe sur une base rigide pour éliminer le déplacement dû à la vibration.
3. **CONDUITE D'ASPIRATION :** Utiliser une conduite d'aspiration de même dimension que l'orifice d'aspiration de la pompe. Si la conduite est longue, augmenter d'une unité pour améliorer le débit. La conduite doit toujours remonter vers la pompe pour éviter la présence de poches d'air dans la conduite et faciliter l'amorçage.

4. **TUYAU D'ASPIRATION :** Enduire d'une graisse lubrifiante à joint fileté tous les joints du tuyau. Bien serrer tous les raccords. Il est recommandé d'utiliser des tuyaux propres et non corrodés. Une écumoire de succion est requise pour filtrer les matériaux abrasifs.

5. **BOYAU D'ASPIRATION :** En cas de pompage vertical, ajouter un coude pour éviter la torsion du boyau. Utiliser des colliers de serrage doubles sur tous les joints du boyau. Bien serrer tous les raccords.

NOTE : Si vous utilisez la pompe pour des travaux d'assèchement, raccorder un clapet de pied à l'extrémité de la conduite d'aspiration.

NOTE : La cause principale des problèmes de pompage est due à une fuite dans la conduite d'aspiration. Même une fuite minime réduit considérablement l'amorçage et le pompage.

FONCTIONNEMENT

PRÉPARER LE MOTEUR

AJOUTER DE L'HUILE MOTEUR :

⚠ MISE EN GARDE : NE PAS tenter de lancer ni de démarrer le moteur avant d'y avoir ajouté la bonne quantité du type d'huile recommandé. Tout dommage à la pompe résultant du non-respect de ces directives annulera la garantie.

⚠ MISE EN GARDE : NE PAS faire fonctionner la pompe avant de l'amorcer. Le joint d'étanchéité et le rotor pourraient être irrémédiablement endommagés.

1. S'assurer que la pompe se trouve sur une surface plane, de niveau.
2. Retirer le bouchon de remplissage d'huile/la jauge d'huile.
3. Ajouter 0,6 L (0,63 pte) d'huile.
4. Remettre en place le bouchon de remplissage d'huile/la jauge d'huile.
5. Vérifier le niveau d'huile moteur avant chaque utilisation et ajouter de l'huile au besoin.

AJOUTER DE L'ESSENCE :

⚠ AVERTISSEMENT : L'essence et ses vapeurs sont extrêmement inflammables et explosives. Le feu ou des explosions peuvent causer de graves brûlures, voire la mort. NE PAS ajouter d'essence à l'intérieur. NE PAS ajouter d'essence lorsque le moteur tourne ou est chaud. NE PAS allumer de cigarette ni fumer au moment d'ajouter de l'essence.

1. Nettoyer la zone entourant le bouchon du réservoir d'essence.
2. Retirer le bouchon du réservoir d'essence.
3. Ajouter lentement au réservoir de l'essence sans plomb propre, neuve présentant un indice d'octane minimum de 85. Remplir le réservoir jusqu'à environ 13 mm (1/2 po) du sommet afin de permettre l'expansion de l'essence. NE PAS remplir de manière excessive le réservoir. Ne pas mélanger l'huile à l'essence.
4. Remettre en place le bouchon du réservoir d'essence et essuyer l'essence déversée.

AMORCER LA POMPE

⚠ MISE EN GARDE : Ne pas faire fonctionner la pompe à sec.

1. Enlever le bouchon d'amorçage.
2. Remplir d'eau le corps de pompe.

3. Remettre en place le bouchon. **NOTE :** Si la pompe se trouve sous le niveau d'eau à pomper (aspiration immergée), la pompe se remplira automatiquement à l'ouverture des robinets.

DÉMARRER LE MOTEUR

1. S'assurer que la pompe se trouve sur une surface plane, de niveau.
2. Régler le robinet d'essence à la position ON.
3. Régler l'interrupteur d'allumage à la position ON.
4. Déplacer le levier d'étrangleur à la position CHOKE.
5. Déplacer la commande des gaz à gauche, à environ mi-chemin de la position FAST.
6. Tirer lentement sur la corde de lancement jusqu'à ce que l'on sente une résistance, puis tirer rapidement sur la corde pour démarrer le moteur. **REMARQUE :** Le moteur pourrait exiger plusieurs tirages de corde avant de démarrer.
7. Durant le réchauffement du moteur, déplacer le levier d'étrangleur à la position RUN.
8. Dans une situation d'aspiration immergée, la pompe refoulera l'eau presque immédiatement. Si le tuyau d'aspiration se trouve au-dessus du niveau

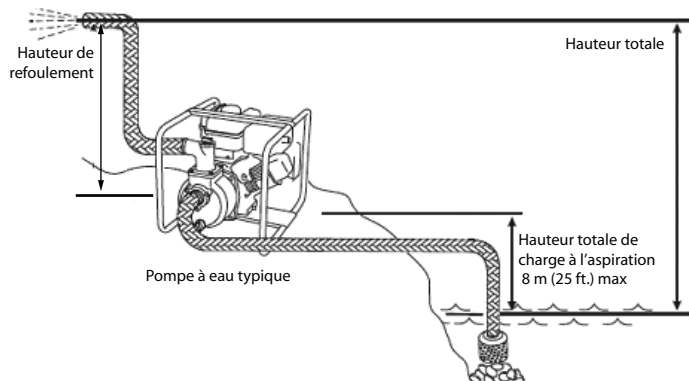


FIGURE 1

FONCTIONNEMENT

de l'eau pompée, il lui faudra quelques minutes pour acheminer l'eau au corps de la pompe, puis pour la refouler. Si le tuyau d'aspiration est long, la pompe peut surchauffer avant que l'eau, contenue dans le tuyau d'aspiration, n'atteigne la pompe. Si cela se produit :

- Éteindre le moteur et retirer le bouchon de vidange et le bouchon d'amorçage pour vidanger le corps de pompe.
- Attendre quelques minutes, le temps que le joint d'étanchéité du corps de pompe refroidisse. **MISE EN GARDE** : Si le corps de pompe surchauffé est rempli d'eau alors qu'il est chaud, le joint d'étanchéité risque d'être endommagé.
- Remettre le bouchon de vidange, puis remplir le corps de pompe d'eau.
- Remettre en place le bouchon d'amorçage.

e. Déplacer le levier d'étrangleur à la position CHOKE, puis redémarrer le moteur comme il est décrit précédemment.

- Le pompage peut être réglé au moyen de la commande des gaz. Pour réduire le refoulement de la pompe, glisser la commande des gaz à droite. Pour l'augmenter, glisser la commande des gaz à gauche.

ARRÊTER LE MOTEUR

- Déplacer la commande des gaz à droite, à la position SLOW.
- Régler l'interrupteur d'allumage à la position OFF.
- Régler le robinet d'essence à la position OFF.
- Laisser refroidir complètement le moteur.
- Retirer le capuchon de la chambre de refroidissement de la pompe et laisser la chambre se vider complètement.

ENTRETIEN ET ENTREPOSAGE

AVERTISSEMENT : Ne jamais faire fonctionner une pompe endommagée ou défectueuse.

AVERTISSEMENT : Pour éviter tout démarrage accidentel, enlever le fil de la bougie et le mettre à la masse avant d'effectuer toute réparation.

NOTE : Le propriétaire/opérateur est responsable de l'entretien périodique. Effectuer l'entretien prévu en temps opportun. Corriger tout problème avant de faire fonctionner la pompe. Un mauvais entretien annulera la garantie de la pompe.

HUILE

Vidanger l'huile lorsque le moteur est chaud. Consulter la section sur les caractéristiques techniques pour choisir la qualité d'huile convenant au milieu de fonctionnement.

- Retirer le bouchon de vidange d'huile au moyen d'une douille de 12 mm et d'une rallonge.
- Vidanger l'huile.
- Remettre en place le bouchon de vidange.
- Retirer le bouchon de remplissage d'huile/la jauge d'huile.
- Ajouter 0,6 L (0,63 pte) d'huile.
- Remettre le bouchon de remplissage d'huile/la jauge d'huile.
- Éliminer l'huile usée à une installation de gestion des déchets approuvée.

BOUGIE

- Retirer le fil de la bougie.
- Utiliser une douille de bougie à long déport, de 14 mm, (fournie) pour enlever la bougie.
- Examiner l'électrode de la bougie. Elle doit être propre et intacte pour produire l'étincelle requise pour l'allumage. Remplacer si nécessaire. Voir la section SPÉCIFICATIONS pour identifier le bon type de bougie d'allumage.
- Vérifier l'écartement des électrodes pour s'assurer qu'il correspond à 0,6 mm à 0,7 mm (0,024 po – 0,028 po). Effectuer tout réglage nécessaire.
- Visser soigneusement la bougie dans le moteur.
- Utiliser la douille à bougie pour poser fermement la bougie.
- Relier le fil de bougie à la bougie.

FILTRE À AIR

- Enlever l'écrou à oreilles et le boîtier fixant le filtre à air à l'ensemble.
- Enlever l'élément filtrant en mousse.
- Laver l'élément filtrant avec un détergent liquide et de l'eau. Bien le rincer et le presser contre un chiffon absorbant propre pour l'assécher.
- Saturer l'élément d'huile moteur propre, puis le presser contre un chiffon absorbant propre pour retirer l'excès d'huile.
- Mettre l'élément filtrant dans l'ensemble.
- Fixer de nouveau le couvercle du filtre à air, puis remettre le boîtier du filtre à air et l'écrou à oreilles.

NETTOYAGE

MISE EN GARDE : NE PAS pulvériser le moteur à l'eau. L'eau peut contaminer le circuit d'alimentation.

- Passer un chiffon humide sur la surface extérieure du moteur.
- Utiliser une brosse à poils souples pour enlever la saleté et l'huile.
- Utiliser un compresseur d'air (moins de 25 PSI) pour enlever la saleté et les débris du moteur.

PROGRAMME D'ENTRETIEN*

Toutes les 8 heures et avant chaque utilisation :

- Vérifier le niveau d'huile et ajouter de l'huile au besoin.
- Nettoyer autour de l'admission d'air et du silencieux.
- Vérifier et resserrer les écrous, les boulons et les accessoires qui sont trop lâches.

Après les premières 5 heures d'utilisation :

- Vidanger l'huile.

Après les premières 10 heures d'utilisation :

- Vérifier le jeu des soupapes et effectuer tout réglage nécessaire.**

Toutes les 20 heures ou à chaque saison :

- Nettoyer le filtre à air.
- Vidanger l'huile.

Toutes les 100 heures ou à chaque saison :

- Nettoyer la bougie et la régler.
- Vérifier le jeu des soupapes et effectuer tout réglage nécessaire.**
- Nettoyer le réservoir d'essence et le filtre d'essence.**

Tous les 3 ans :

- Remplacer la canalisation d'essence**

*Un entretien plus fréquent est requis lors d'une utilisation dans des conditions sales ou poussiéreuses ou encore par temps extrêmement chaud.

** Tâche devant être accomplie par un concessionnaire certifié offrant le service de réparation ou un propriétaire expérimenté et averti.

VIDANGE

Si la pompe est soumise au gel, la vidanger en retirant le bouchon de vidange et celui d'amorçage. Après avoir évacué l'eau, faire fonctionner la pompe durant quelques secondes pour faire sortir le restant d'eau du corps de pompe. S'assurer que les conduites d'aspiration et de refoulement sont exemptes d'eau.

ENTREPOSAGE

AVERTISSEMENT : Entreposer la pompe dans un endroit bien aéré, loin de la chaleur, des flammes ou des étincelles.

- Laisser refroidir complètement le moteur.
- Nettoyer le moteur et la pompe conformément à la section NETTOYAGE.
- Vidanger l'essence contenue dans la canalisation d'essence et le carburateur pour éviter la formation de gomme.
- Régler le robinet d'essence à la position OFF.
- Ajouter un stabilisateur d'essence au réservoir d'essence.
- Vidanger l'huile.
- Enlever la bougie et verser 15 ml (1/2 oz) d'huile dans le cylindre. Lancer lentement le moteur pour répartir l'huile et lubrifier le cylindre.
- Poser la bougie.
- Évacuer toute l'eau de la chambre de la pompe.
- Entreposer la pompe dans un endroit propre et sec à l'écart de la lumière directe du soleil.

GUIDE DE DÉPANNAGE

PROBLÈMES	CAUSES PROBABLES	SOLUTIONS
La pompe ne fonctionne pas	Fuite d'air dans la conduite d'aspiration.	S'assurer que les joints du tuyau d'aspiration ont un double collier de serrage, que les colliers sont bien serrés, que les raccords ont été garnis de produits pour étanchéité et qu'ils sont serrés, que le tuyau n'est ni ébréché ni coupé.
	Les conduites d'aspiration et/ou de refoulement peuvent être bloquées, ou les clapets sont fermés, défectueux ou bloqués.	Vérifier si les conduites et les clapets sont en bon état de fonctionnement.
	L'extrémité de la conduite d'aspiration n'est pas immergée.	Augmenter la longueur de la conduite ou rapprocher la pompe.
	L'extrémité de la conduite d'aspiration n'est	Augmenter sa longueur, ou rapprocher la pompe de pas immergée. la source de liquide à pomper.
La pompe ne s'amorce	La hauteur géométrique d'aspiration est trop élevée (*1).	Rapprocher la pompe de la source de liquide à pomper.
L'amorçage est très long	La conduite d'aspiration est très longue.	Consulter le paragraphe « Démarrage » de la section « Fonctionnement ».
	Il y a des poches d'air ou des fuites dans la conduite d'aspiration.	Vérifier si les raccords de la conduite sont serrés.
Le rendement de la pompe est inférieur au rendement prévu.	Le débit est limité : a) accumulation de débris. b) soupapes défectueuses ou semi-ouvertes. c) le diamètre des tuyaux ou des boyaux utilisés est plus petit que celui des orifices de la pompe.	a) Nettoyer les conduites et les raccords. b) Vérifier si les soupapes sont en bon état de fonctionnement. c) Augmenter le diamètre des tuyaux ou des boyaux afin de réduire les pertes dues au frottement.
	L'extrémité de la conduite d'aspiration n'est pas suffisamment immergée.	Il faut immerger l'extrémité de la conduite d'aspiration.
	La roue de turbine est trop usée (*2).	Remplacer la roue de turbine.
	Le joint est endommagé (*3). Du liquide s'écoule du centre de l'adaptateur.	Remplacer le joint.
	Il y a des poches d'air ou des fuites dans la conduite d'aspiration.	Vérifier la conduite d'aspiration.
	La roue de turbine est obstruée.	Enlever le boîtier pour le nettoyer.
	La commande des gaz se trouve à la position SLOW.	Déplacer la commande des gaz à la position FAST.
La pompe se désamorce.	Le niveau de liquide est inférieur à l'extrémité de la conduite d'aspiration.	Augmenter la longueur de la conduite d'aspiration ou rapprocher la pompe de la source de liquide à pomper.
La pompe ne démarre pas	Pas d'essence.	Laisser le moteur refroidir durant 2 minutes, puis remplir le réservoir d'essence.
	Bougie d'allumage défectueuse	Remplacer la bougie d'allumage
	Le levier du robinet d'essence est à la position OFF.	Régler le levier du robinet d'essence à la position ON.
	L'interrupteur d'allumage est à la position OFF.	Régler l'interrupteur d'allumage à la position ON.
	L'étrangleur est à la mauvaise position.	Glisser le levier d'étrangleur à la position CHOKE.
La pompe a des ratés	L'étrangleur est à la mauvaise position.	Glisser le levier d'étrangleur à la position RUN.
	Câble de bougie d'allumage desserré	Fixer le câble à la bougie
	Bougie d'allumage défectueuse	Remplacer la bougie d'allumage
	L'essence est contaminée (eau, débris, etc.).	Laisser le moteur refroidir durant 2 minutes, puis vidanger le réservoir d'essence et le carburateur. Remplir le réservoir d'essence neuve.
La pompe s'arrête subitement	Pas de carburant	Laisser le moteur refroidir durant 2 minutes, puis remplir le réservoir d'essence.

*1) Pour pomper à une hauteur excessive, tenir compte de :

- a) Le diamètre et la longueur du tuyau.
- b) Les raccords de tuyauterie.
- c) L'élévation au-dessus du niveau de la mer.

En considérant tous les facteurs ci-dessus, nous recommandons que la hauteur de pression d'aspiration totale ne dépasse pas 25 pi.

*2) L'usure excessive de la roue de turbine est principalement due à la « cavitation ». Un certain nombre de situations peuvent entraîner la cavitation. Exemples:





- a) L'aspiration est limitée
- b) La hauteur géométrique d'aspiration est trop élevée.

*3) Le joint peut être endommagé pour les raisons suivantes

- a) Usure normale
- b) Surchauffe
- c) Pompage de produits chimiques pour lesquels le joint n'est pas conçu.

Contactez un centre de service autorisé pour obtenir de l'aide supplémentaire.

CARACTÉRISTIQUES TECHNIQUES

				
	5RLAG-2	6RLAG-2ST	6RLAG-3ST	6RLAG-3TT
Moteur	Modèle à soupapes en tête, certifié EPA			
Puissance	5.5 HP @ 3400 RPM	6.0 HP @ 4000 RPM		
Type d'essence	Essence sans plomb ordinaire, octane 85 minimum*			
Contenance du réservoir d'essence	1.0 gallons (3.6 liters)			
Type d'huile	Voir la Figure 2			
Contenance du réservoir d'huile	0.63 quart (0.6 liter)			
Type de bougie	F6TC ou l'équivalent			
Écartement des électrodes	0.024 - 0.028 inch (0.6 - 0.7 mm)			
Jeu des soupapes, admission	0.005 - 0.007 inch (0.13 - 0.17 mm)			
Jeu des soupapes, échappement	0.007 - 0.009 inch (0.18 - 0.22 mm)			
Arrêt	92 ft (28 m)	92 ft (28 m)	85 ft (26 m)	75 ft (23 m)
Hauteur d'aspiration (max.)	25 ft (7.5 m)			
Diamètre d'aspiration	1" diamètre NPT			
Diamètre de refoulement	1" diamètre NPT			
Débit maximum	150 GPM (567 LPM)		264 GPM (1000 LPM)	285 GPM (1079 LPM)
Poids	52.9 lb (24.0 kg)		59.5 lb (27.0 kg)	88.2 lb (40.0 kg)
Hauteur	15.5 in (39.4 cm)		18.0 in (45.7 cm)	17.5 in (44.5 cm)
Largeur	14.5 in (36.8 cm)		15.8 in (40.1 cm)	17.3 in (43.9 cm)
Longueur	18.0 in (45.7 cm)		20.6 in (57.3 cm)	21.4 in (54.4 cm)

*Utiliser de l'essence ne contenant pas plus de 10 % d'éthanol (E10) ou 5 % de méthanol par volume. L'utilisation d'essence ayant un pourcentage d'éthanol ou de méthanol supérieur à ceux indiqués pourrait causer des problèmes de fonctionnement ou lors du démarrage et endommager les pièces en métal, en caoutchouc et en plastique du circuit d'alimentation. Les dommages subis par le moteur et les problèmes de fonctionnement causés par l'utilisation d'essence ayant un pourcentage d'éthanol ou de méthanol supérieur à ceux indiqués ne sont pas couverts par la garantie.

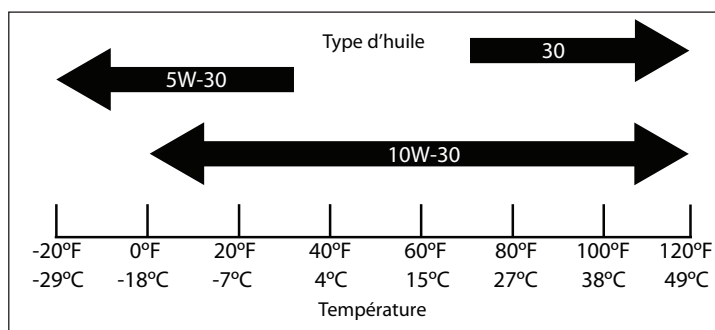
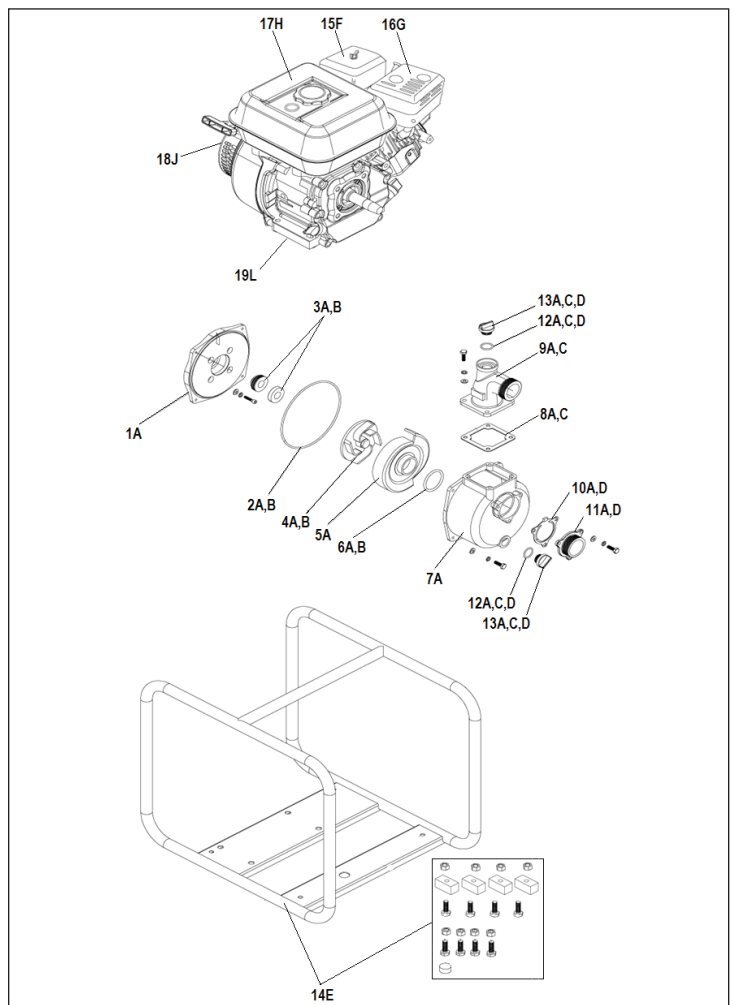
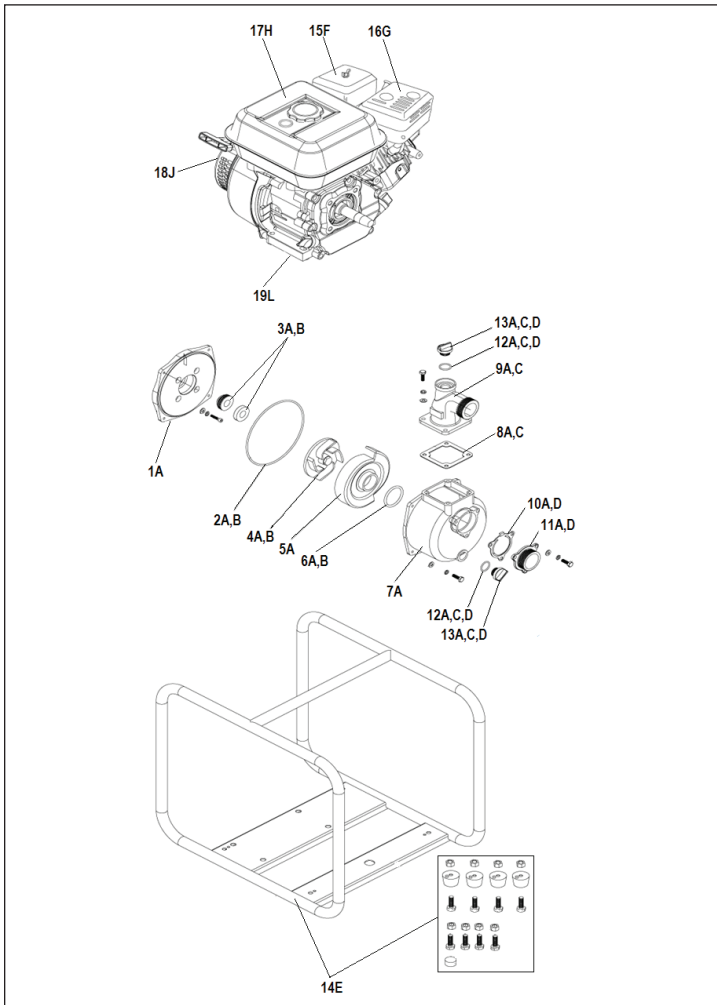


FIGURE 2

PIÈCES DE RECHANGE

MODÈLES 5RLAG-2 / 6RLAG-2ST			
NO D'ARTICLE	DESCRIPTION	ID DU GROUPE DE TROUSSES*	NO DE PIÈCE
1	Adaptateur	A	617110
2	Joint torique, 195 mm diam. int.	A	617110
		B	617111
3	Joint mécanique	A	617110
		B	617111
4	Roue avec rondelle	A	617110
		B	617111
5	Enveloppe de volute	A	617110
6	Garniture de volute	A	617110
		B	617111
7	Enveloppe de pompe	A	617110
8	Joint d'étanchéité	A	617110
		C	617112
9	Bride d'évacuation	A	617110
		C	617112
10	Clapet	A	617110
		D	617113
11	Bride d'aspiration	A	617110
		D	617113
12	Joint torique, 25 mm diam. int.	A	617110
		C	617112
		D	617113
13	Capuchon protecteur	A	617110
		C	617112
		D	617113
14	Cadre tubulaire	E	617114
15	Ensemble de filtre à air	F	617130
16	Silencieux	G	617131
17	Réservoir à essence	H	617132
18	Dispositif de recul	J	617133
19	Moteur	L	617136
--	Trousse d'accessoires (non illustrée)**	--	617134
--	Filtre à air (non illustré)	--	617135

MODÈLE 6RLAG-3ST			
NO D'ARTICLE	DESCRIPTION	ID DU GROUPE DE TROUSSES*	NO DE PIÈCE
1	Adaptateur	A	617115
2	Joint torique, 218 mm diam. int.	A	617115
		B	617116
3	Joint mécanique	A	617115
		B	617116
4	Roue avec rondelle	A	617115
		B	617116
5	Enveloppe de volute	A	617115
6	Garniture de volute	A	617115
		B	617116
7	Enveloppe de pompe	A	617115
8	Joint d'étanchéité	A	617115
		C	617117
		A	617115
9	Bride d'évacuation	A	617115
		C	617112
		A	617115
10	Clapet	A	617115
		D	617118
11	Bride d'aspiration	A	617115
		D	617118
12	Joint torique, 25 mm diam. int.	A	617115
		C	617117
		D	617118
		A	617115
13	Capuchon protecteur	A	617115
		C	617117
		D	617118
		E	617119
14	Cadre tubulaire	E	617119
15	Ensemble de filtre à air	F	617130
16	Silencieux	G	617131
17	Réservoir à essence	H	617132
18	Dispositif de recul	J	617133
19	Moteur	L	617136
--	Trousse d'accessoires (non illustrée)**	--	617134
--	Filtre à air (non illustré)	--	617135

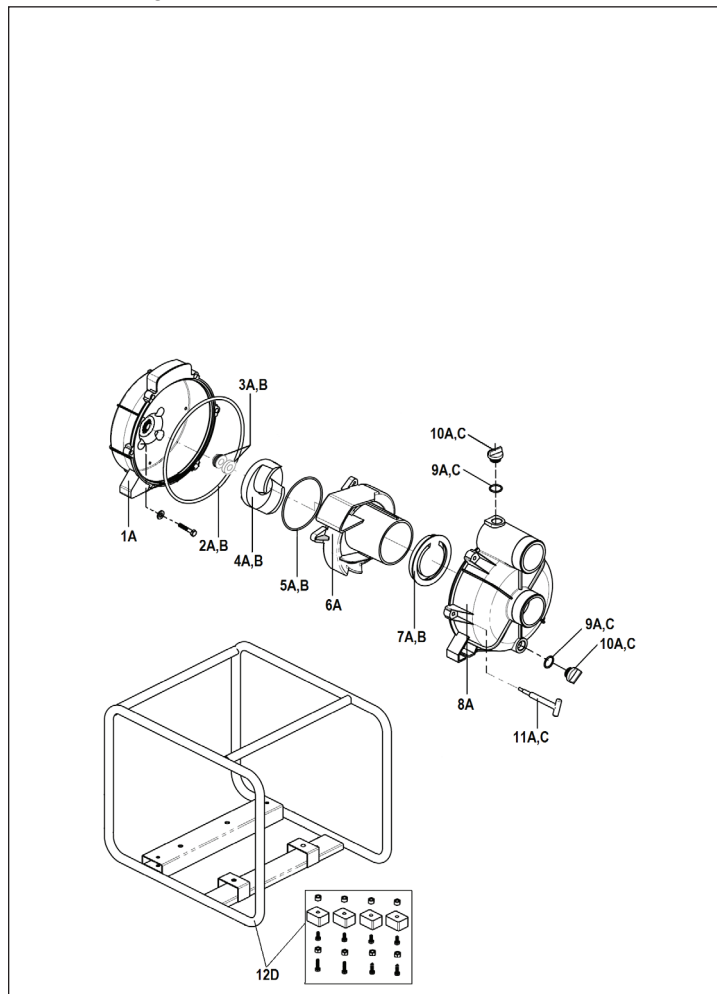


PIÈCES DE RECHANGE

MODÈLE 6RLAG-3TT			
NO D'ARTICLE	DESCRIPTION	ID DU GROUPE DE TROUSSES*	NO DE PIÈCE
1	Adaptateur	A	617120
2	Joint torique, 265 mm diam. int.	A	617120
		B	617121
3	Joint mécanique	A	617120
		B	617121
4	Roue avec rondelle	A	617120
		B	617121
5	Joint torique, 132 mm	A	617120
		B	617121
6	Enveloppe de volute	A	617120
7	Soupape à languette	A	617120
		B	617121
8	Enveloppe de pompe	A	617120
9	Joint torique, 25 mm diam. int.	A	617120
		C	617122
10	Capuchon protecteur	A	617120
		C	617122
11	Boulon à T	A	617120
		C	617122
12	Cadre tubulaire	D	617123
13	Ensemble de filtre à air	E	617130
14	Silencieux	F	617131
15	Réservoir à essence	G	617132
16	Dispositif de recul	H	617133
17	Moteur	J	617136
--	Trousse d'accessoires (non illustrée)**	--	617134
--	Filtre à air (non illustré)	--	617135

*Les articles aux identifiants similaires sont vendus/emballés ensemble. Pour plus de commodité, chaque trousse de réparation contient les attaches requises pour le réassemblage de ses composants.

**Contenu : bouchon du réservoir à essence, coupelle du filtre à essence, bouchon de vidange d'huile avec rondelle en caoutchouc, canalisation d'essence, colliers de serrage de la canalisation d'essence.



GARANTIE LIMITÉE

Lors des requêtes en garantie, Franklin Electric Company, Inc. et ses filiales (ci-après appelée « l'Entreprise ») garantit les produits spécifiés dans cette garantie contre tout défaut de matériaux et de main-d'œuvre. Pendant les périodes couvertes par la garantie et selon les conditions indiquées dans la présente, l'Entreprise réparera ou remplacera toute partie de ce produit présentant une défaillance liée aux matériaux ou à la main-d'œuvre, et ce uniquement auprès du premier utilisateur ou acheteur. En tout temps, l'Entreprise conserve le droit et l'option de déterminer si un équipement, des pièces ou des composants défectueux doivent être réparés ou remplacés. L'Entreprise peut inspecter tout produit sous garantie qui lui est retourné afin de confirmer que la garantie s'applique, avant d'approuver la réparation ou le remplacement. Cette garantie stipule l'unique obligation de l'Entreprise et le recours exclusif de l'acheteur pour un produit défectueux. Retourner le produit défectueux au détaillant pour les requêtes en garantie.

PÉRIODE DE GARANTIE – PRODUITS : 12 mois à partir de la date d'achat par l'utilisateur. (Aucune garantie n'est offerte pour les balais, le rotor ou la came sur les modèles avec moteur à balais et/ou rotor flexible à palettes.) En l'absence d'une preuve adéquate de la date d'achat, la période d'application commencera à partir de la date de fabrication.

PÉRIODE DE GARANTIE – SYSTÈME DE CONTRÔLE DES ÉMISSIONS : 24 mois à compter de la date d'achat par l'utilisateur. Veuillez vous référer au manuel de l'utilisateur du fabricant de moteur pour plus de détails concernant la garantie du système de contrôle des émissions (Garantie ECS (SCE)).

COÛTS DE MAIN-D'ŒUVRE, ETC. : EN AUCUN CAS l'Entreprise ne pourra être tenue responsable du coût de la main-d'œuvre ou d'autres frais encourus par un client lors de la dépose et/ou de la réparation d'un produit, d'une partie ou d'un composant.

AMÉLIORATIONS DU PRODUIT : L'Entreprise se réserve le droit de modifier ou d'améliorer ses produits, ou une quelconque de leur partie, sans obligation de fournir une telle modification ou amélioration aux appareils déjà vendus et/ou expédiés avant que de telles modifications ou améliorations n'aient été apportées.

CONDITIONS ET MODALITÉS GÉNÉRALES : Cette garantie ne couvre pas les dommages causés par une catastrophe naturelle, l'usure normale, la foudre ou des conditions hors du contrôle de l'Entreprise; et elle ne couvre pas non plus les services d'entretien normaux et aux pièces usées associés à un tel service, ni les produits qui, selon le jugement exclusif de l'Entreprise, ont été exposés à la négligence, l'abus, un accident, une application inappropriée, une altération, une modification; ni aux dommages causés par une installation, une utilisation, un entretien ou un entreposage inadéquat; ni à une utilisation au-delà des maximums. La garantie est NULLE si l'une des conditions suivantes s'applique :

1. Le produit est utilisé pour des applications autres que celles pour lesquelles il a été conçu et fabriqué.
2. Le produit n'est pas installé dans le respect des codes et règlements applicables et selon les bonnes pratiques acceptées dans l'industrie.
3. La pompe a fonctionné à sec (alimentation en liquide coupée).
4. Le corp du moteur soit ouvert ou le produit soit démonter par le client

AVIS DE NON-RESPONSABILITÉ : Toute déclaration verbale portant sur le produit, faite par le vendeur, l'Entreprise, les représentants ou toute autre partie ne constitue pas une garantie et ne peut être considérée par l'utilisateur comme faisant partie du contrat de vente. La seule obligation du vendeur ou de l'Entreprise et le seul recours de l'acheteur est le remplacement et/ou la réparation du produit par l'Entreprise, comme il est décrit ci-dessus. LE VENDEUR OU L'ENTREPRISE NE PEUT ÊTRE TENU RESPONSABLE POUR TOUTE BLESSURE, PERTE OU DOMMAGE DIRECT, INDIRECT OU CONSÉCUTIF (INCLUANT MAIS SANS S'Y LIMITER LES DOMMAGES INDIRECTS OU CONSÉCUTIFS LIÉS À UNE PERTE DE PROFITS, UNE PERTE DE VENTES, DES BLESSURES OU DES DOMMAGES MATÉRIELS, OU TOUT AUTRE INCIDENT OU PERTE CONSÉCUTIVE), RÉSULTANT DE L'UTILISATION OU DE L'IMPOSSIBILITÉ D'UTILISER LE PRODUIT; DE PLUS, L'UTILISATEUR ACCEPTE QU'AUCUN AUTRE RECOURS N'EST DISPONIBLE. Avant de commencer à utiliser le produit, l'utilisateur doit déterminer si ce produit est adapté à l'usage prévu; et l'utilisateur assume tous les risques et toutes les responsabilités qui sont liés à cette utilisation. LA GARANTIE ET LES MESURES CORRECTIVES DÉCRITES DANS LA PRÉSENTE GARANTIE LIMITÉE CONSTITUENT UNE GARANTIE ET DES MESURES CORRECTIVES EXCLUSIVES EN LIEU ET PLACE DE TOUTE AUTRE GARANTIE ET MESURE CORRECTIVE, EXPRESSE OU IMPLICITE; ET TOUTE AUTRE GARANTIE ET MESURE CORRECTIVE EST EXPRESSÉMENT EXCLUE, INCLUANT, MAIS SANS S'Y LIMITER, TOUTE GARANTIE IMPLICITE DE QUALITÉ MARCHANDE OU D'ADAPTATION À UN USAGE PARTICULIER. Certaines juridictions et certains pays interdisent les exclusions ou les limitations de durée d'une garantie implicite ou l'exclusion ou la limitation des dommages indirects ou consécutifs; les limitations ou exclusions ci-dessus pourraient donc ne pas s'appliquer à votre cas. Cette garantie vous donne des droits légaux spécifiques et vous pourriez également jouir d'autres droits qui varient selon la juridiction ou le pays.

APPELER POUR OBTENIR UNE AUTORIZACIÓN PARA LA
DEVOLUCIÓN DE LA MERCADERÍA (RMA) AVANT TOUT
RETOUR

Service à la clientèle (sans frais) : 1-888-956-0000

Courriel: wts-orders@fele.com

www.redlionproducts.com

RED LION

! ADVERTENCIAS DE SEGURIDAD

LEA ESTE MANUAL Y SIGA TODAS LAS REGLAS DE SEGURIDAD ANTES DE INSTALAR U OPERAR ESTA BOMBA.

**SEGURIDAD****! ADVERTENCIA:**

Lea cuidadosamente estos mensajes de seguridad en este manual y en la bomba.

! ATENCIÓN: A LAS COMPAÑÍAS DE ALQUILER Y LOS PROPIETARIOS PARTICULARES QUE ALQUILAN O PRESTAN ESTA BOMBA DE AGUA A TERCEROS:

Todas las personas a quienes alquile o preste esta bomba deben tener acceso a este manual del propietario y leerlo. Conserve este manual junto a la bomba en todo momento y recomiende leerlo a todas las personas que hagan funcionar la bomba. También debe proporcionar instrucción personal sobre cómo operar con seguridad la bomba, y debe estar disponible para responder cualquier pregunta que pudiera tener quien la alquile o a quien la preste.

! ADVERTENCIA: AL ENCENDER LA BOMBA:

La retracción rápida (rebote) de la cuerda de encendido puede impulsar su mano y su brazo hacia el motor antes de que pueda soltarla. Esto puede ocasionar quebraduras de huesos, fracturas, moretones o esguinces. Para evitar el rebote, tire lentamente de la cuerda de encendido hasta que haya resistencia y, a continuación, tire rápidamente para encender el motor.

Mantenga las manos y el cuerpo alejados de la descarga de la bomba.

Asegúrese de que todas las conexiones estén bien firmes.

Asegure la bomba. Las cargas de las mangueras pueden provocar volcaduras.

Asegure la manguera de descarga para evitar latigazos.

Las chispas accidentales pueden provocar incendios o choques eléctricos. NO haga arrancar el motor habiendo quitado la bujía de encendido. Asegúrese de que la bujía de encendido, el silenciador, la tapa de combustible y el filtro de aire estén en su lugar.

Si hay derrames de combustible, espere hasta que se evapore antes de encender el motor.

! ADVERTENCIA: AL OPERAR LA BOMBA:

Las emisiones del motor de esta bomba contienen químicos que el Estado de California determinó que son cancerígenos, causan defectos de nacimiento y otros daños al aparato reproductivo.

El dispositivo de encendido y otras partes giratorias pueden enredarse con las manos, el cabello, la ropa o accesorios. NUNCA coloque las manos ni partes del cuerpo dentro de la bomba en funcionamiento ni de las mangueras. NO use ropa suelta, joyas ni nada que pueda quedar atrapado en el dispositivo de encendido o en otras partes giratorias. Átese el cabello largo y quítese las joyas.

Los motores en funcionamiento producen calor. La temperatura del silenciador y de las áreas adyacentes pueden alcanzar o superar los 65 °C (150 °F). Pueden ocurrir quemaduras graves al contacto.

Evite las emisiones de gases calientes y NO toque las superficies calientes.

La bomba debe estar al menos a 1,5 m (5 pies) de distancia de las estructuras con paredes combustibles y/u otros materiales combustibles como hojas, hierba y arbustos ya que pueden incendiarse.

El calor reflejado de las emisiones puede dañar el tanque de combustible, provocando incendios. Mantenga un espacio de al menos 91,4 cm (3 pies) a todos los lados de la bomba para la refrigeración, las tareas de mantenimiento y reparación adecuadas.

NO use la bomba para bombear líquidos inflamables como combustible o aceites combustibles.

NO use la bomba para bombear fluidos destinados al consumo humano.

NO use la bomba en equipos móviles ni en aplicaciones marítimas.

NO incline la bomba en un ángulo que provoque derrames de combustible.

Asegure la bomba. Las cargas de las mangueras pueden hacer que se vuelque.

NO desplace la palanca del obturador a la posición de obturación (Choke) para detener el motor.

El Código de Regulación Federal (Code of Federal Regulation, CFR) Título 36, Parques, Bosques y Propiedad Pública (Parks, Forests, and Public Property) requiere que los equipos impulsados mediante un motor a combustión interna tengan supresores de chispas que se mantengan en estado de funcionamiento efectivo en conformidad con el estándar de servicio 5100-1C de bosques de la USDA (USDA Forest) o una revisión posterior. En el Estado de California, se requiere un supresor de chispas bajo la sección 4442 del código de recursos públicos de California. Es posible que otros estados tengan leyes similares.

! ADVERTENCIA: AL AJUSTAR O REPARAR LA BOMBA:

Apague el motor.

Deje que el equipo se enfríe antes de tocarlo.

Desconecte el cable de la bujía de encendido de la misma y coloque el cable en un sitio donde no pueda entrar en contacto con la bujía.

! ADVERTENCIA: AL HACER PRUEBAS DE CHISPAS EN EL MOTOR:

Use un probador de bujías de encendido aprobado.

NO haga pruebas de chispas habiendo quitado la bujía de encendido.

! ADVERTENCIA: AL AGREGAR O VACIAR COMBUSTIBLE:

APAGUE la bomba y déjala enfriar durante al menos 2 minutos antes de quitar la tapa de combustible.

Desajuste la tapa lentamente para aliviar la presión del tanque.

llene o vacíe el combustible al aire libre.

NO llene en exceso el tanque de combustible. Deje espacio para la expansión del combustible.

Mantenga el combustible alejado de chispas, llamas abiertas, llamas piloto, calor y otras fuentes de ignición.

NO encienda un cigarrillo ni fume.

! ADVERTENCIA: AL TRANSPORTAR O REPARAR LA BOMBA:

Vacíe el tanque de combustible o cierre la válvula de interrupción de combustible.

Desconecte el cable de la bujía de encendido.

! ADVERTENCIA: AL ALMACENAR COMBUSTIBLE (O SI LA BOMBA TIENE COMBUSTIBLE EN EL TANQUE):

Mantenga la bomba alejada de hornos, cocinas, calentadores de agua, secadores de ropa u otros electrodomésticos con llamas piloto u otra fuente de ignición, porque pueden hacer entrar en ignición los vapores del combustible.

! PRECAUCIÓN: ¡NO haga funcionar esta bomba en seco!

Las velocidades de funcionamiento demasiado altas aumentan los riesgos de lesiones y de que se dañe la bomba. Las velocidades demasiado lentas imponen una carga pesada.

NO modifique la velocidad normal establecida.

NO modifique la bomba de ninguna manera.

NO permita que personas no calificadas ni niños operen ni realicen reparaciones en la bomba.

NO inserte ningún objeto a través de las ranuras de refrigeración.

Si se manipula la bomba de manera indebida, es posible que se dañe y que se acorte su vida útil.

Asegúrese de que la cámara de la bomba esté llena de agua antes de encender el motor. NUNCA haga funcionar el motor sin cebar la bomba.

Use una manguera no plegable en el lado de succión de la bomba.

Use la bomba sólo para los usos a los que está destinada.

SEGURIDAD

Bombear agua de mar, bebidas, ácidos, soluciones químicas u otros líquidos que promuevan la corrosión puede dañar la bomba.

Asegúrese de que todas las conexiones sean herméticas.

NO obstruya la manguera de succión ni la manguera de descarga de ninguna manera.

NO opere la bomba sin una cesta de tamiz conectada al extremo de la manguera de succión.

NO exceda la altura de succión máxima de 8 m (25 pies) ni la altura total de 32 m (106 pies). Use la altura de succión más corta que sea posible.

NO permita que circulen vehículos sobre las mangueras. Si resulta necesario colocar una manguera sobre una vía vehicular, use planchas a ambos lados de la manguera para permitir que los vehículos pasen sin obstruir ni colapsar la manguera.

Ancle la bomba para evitar el movimiento de la bomba (deslizamiento), particularmente si está ubicada cerca de una zanja o del borde de un barranco abierto. La bomba se puede caer.

Mantenga la bomba alejada de las orillas de ríos o lagos, donde puede hacer que el banco colapse.

APLICACIONE

Utilice esas bombas solamente para agua, donde la succión vertical desde el nivel del líquido sea 25 pies (7.6 m) o menos. La altura se refiere a la altura de la columna de agua que puede producir la descarga de la bomba (Figura 1). Altura de succión (o elevación de succión) es la distancia vertical entre el centro de la bomba y la superficie del líquido en el lado de succión de la bomba. Altura de descarga es la distancia vertical entre la salida de descarga de la bomba y el punto de descarga. Altura total es la suma de la altura de succión y la altura

de descarga. Se debe tomar en consideración la altura sobre el nivel del mar y las pérdidas por fricción. **PRECAUCIÓN:** No haga funcionar esta bomba en seco. Se requiere solo agua para lubricar la junta de la bomba. Esta bomba ha sido probada y hecha funcionar bajo condiciones reales de trabajo. El motor, la bomba y todos los acoplamientos fueron encontrados en estado satisfactorio. Si la unidad de bombeo no funciona como se especifica, revise cuidadosamente la guía de INSTALACIÓN y la TABLA PARA SOLUCIONAR PROBLEMAS.

INSTALACIÓN

1. **UBICACIÓN:** Para una instalación permanente, ponga la bomba en un lugar limpio, seco y ventilado. Mantenga la línea de succión lo más corta posible. El mantenimiento de la longitud de la cañería lo más corta posible, permitirá que la bomba funcione al máximo de su eficiencia y también asegurar que la carcasa no se recaliente debido a la ausencia de agua.
2. **INSTALACIÓN:** Instale la bomba sobre unos cimientos rígidos para eliminar su movimiento por la vibración.
3. **LÍNEA DE SUCCIÓN:** Use una línea de succión del mismo tamaño que la succión de la bomba. Si la tubería de succión es larga, aumente por un tamaño para mejorar el flujo. Incline la tubería de succión hacia arriba para evitar bolsas de aire en la misma y un cargado difícil.

4. **TUBERÍA DE SUCCIÓN:** Utilice un compuesto para rosca en todas las uniones de las tuberías. Las conexiones deben estar bien ajustadas. Se recomienda se utilice tuberías limpias y sin corrosión.
5. **MANGUERA DE SUCCIÓN:** Si la línea de succión está básicamente vertical, utilice un codo en la manguera para evitar que se doble. Utilice abrazaderas dobles en todas las uniones de mangueras. Las conexiones deben estar bien ajustadas. Se requiere el uso de una malla para el filtrado del material abrasivo.

NOTA: Si usa la bomba para remover agua, instale una válvula de chequeo en la línea de succión.

NOTA: La mayoría de problemas de bombeo es una fuga en la línea de succión. Aún una fuga muy pequeña reduce enormemente el cargado y bombeo.

FUNCIONAMIENTO

PREPARACIÓN DEL MOTOR

AGREGUE ACEITE PARA MOTOR:

PRECAUCIÓN: NO intente hacer arrancar o encender el motor hasta que haya sido llenado con el tipo y la cantidad de aceite que se recomiendan. Si la bomba se daña por no haber seguido estas instrucciones, se anulará la garantía.

PRECAUCIÓN: No haga funcionar la bomba antes de cebarla. El sello y el impulsor pueden sufrir daños permanentes.

1. Asegúrese de que la bomba esté en una superficie plana y nivelada.
2. Quite la tapa/varilla del aceite.
3. Agregue 0,6 (0,63 cuartos de galón) de aceite.
4. Vuelva a colocar la tapa/varilla del aceite.
5. Compruebe el nivel de aceite del motor antes de cada uso y agregue aceite según resulte necesario.

AGREGUE COMBUSTIBLE:

ADVERTENCIA: El combustible y sus vapores son extremadamente inflamables y explosivos. Los incendios o las explosiones pueden provocar quemaduras graves o la muerte. NO agregue el combustible bajo techo. NO agregue el combustible cuando el motor esté en funcionamiento o caliente. NO encienda cigarrillos ni fume al agregar combustible.

1. Limpie el área alrededor de la tapa de combustible.
2. Quite la tapa de combustible.
3. Agregue lentamente el combustible en el tanque. Use combustible limpio, fresco, regular sin plomo con un octanaje mínimo de 85. Llene el tanque hasta aproximadamente 13 mm (1/2 pulg.) por debajo de la parte superior para permitir la expansión del combustible. NO llene en exceso el tanque. NO mezcle aceite con el combustible.
4. Vuelva a colocar la tapa de combustible y limpie el combustible que pueda haberse derramado.

CEBADO DE LA BOMBA

PRECAUCIÓN: No haga funcionar esta bomba en seco.

1. Quite el tapón de cebado.
2. Llene el cuerpo de la bomba con agua.
3. Vuelva a colocar el tapón. **NOTA:** Si la bomba está por debajo del nivel del agua que se bombeará (succión inundada), la bomba se llenará automáticamente al abrir las válvulas.

ENCENDIDO DEL MOTOR

1. Asegúrese de que la bomba esté en una superficie plana y nivelada.
2. Gire la válvula de combustible a la posición de encendido (ON).
3. Gire el interruptor de encendido a la posición de encendido (ON).
4. Desplace la palanca del obturador a la posición de obturación (CHOKE).
5. Desplace el acelerador hacia la izquierda hasta aproximadamente la mitad del trayecto a la posición máxima (FAST).
6. Tire lentamente de la cuerda de arranque hasta que haya resistencia y, a continuación, tire rápidamente para encender el motor. **NOTA:** Es posible que deba tirar varias veces de la cuerda para hacer arrancar el motor.
7. A medida que el motor se calienta, desplace la palanca del obturador a la posición de funcionamiento (RUN).
8. En una situación de succión inundada, la bomba descargará agua casi inmediatamente. Si la línea de succión está sobre el nivel del agua que se bombea, tardará algunos minutos hasta que el agua se eleve al cuerpo de la bomba y se descargue. Si la línea de succión es larga, es posible que la

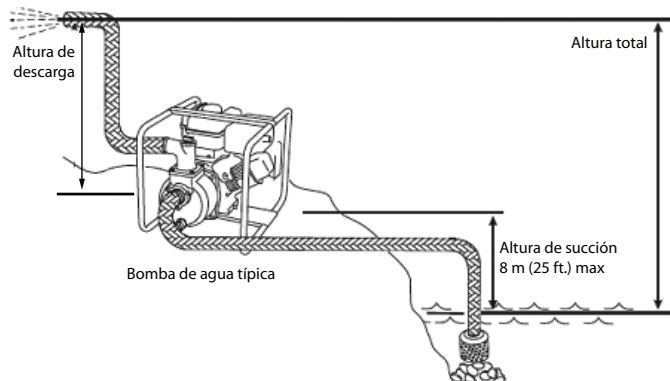


FIGURA 1

FUNCIONAMIENTO

bomba se caliente demasiado antes de que el agua en la línea de succión llegue a la bomba. Si esto ocurre:

- Apague el motor y quite el tapón de drenaje y el tapón de cebado para drenar el cuerpo de la bomba.
- Espere algunos minutos para que se enfríe el sello del cuerpo de la bomba. **PRECAUCIÓN:** Si se llena el cuerpo de la bomba con exceso de temperatura cuando está caliente, se dañará el sello.
- Vuelva a colocar el tapón de drenaje y llene el cuerpo de la bomba con agua.
- Vuelva a colocar el tapón de cebado.
- Desplace la palanca del obturador a la posición de CHOKE y vuelva a encender el motor tal como se describe anteriormente.

- El desempeño de la bomba puede ajustarse mediante el acelerador. Para disminuir la descarga de la bomba, desplace el acelerador hacia la derecha. Para aumentarla, desplace el acelerador hacia la izquierda.

CÓMO DETENER EL MOTOR

- Desplace el acelerador hacia la derecha hasta la posición SLOW.
- Gire el interruptor de encendido a la posición de OFF.
- Gire la válvula de combustible a la posición de OFF.
- Espere hasta que el motor se enfríe completamente.
- Quite la tapa de la cámara de la bomba de refrigeración y espere hasta que se drene completamente.

MANTENIMIENTO Y ALMACENAMIENTO



ADVERTENCIA: Nunca opere una bomba dañada o defectuosa.

ADVERTENCIA: Para impedir que la bomba se encienda accidentalmente, quite y conecte a tierra el cable de la bujía de encendido antes de realizar cualquier reparación.

NOTA: El propietario/operador es responsable de todas las tareas de mantenimiento periódicas. Complete todas las tareas de mantenimiento programadas oportunamente. Corrija cualquier problema antes de operar la bomba. Si las tareas de mantenimiento no se llevan a cabo de manera adecuada, se anulará la garantía.

ACEITE

Cambie el aceite cuando el motor esté tibio. Consulte la sección de especificaciones para seleccionar el grado de aceite adecuado para su entorno de funcionamiento.

- Quite el tapón de drenaje de aceite con una llave de 12 mm y una extensión.
- Espere hasta que el aceite se drene completamente.
- Vuelva a colocar el tapón de drenaje.
- Quite la tapa/varilla del aceite.
- Agregue 0,6 l (0,63 cuartos de galón) de aceite.
- Vuelva a colocar la tapa/varilla del aceite.
- Deseche el aceite usado en instalaciones de administración de residuos aprobadas.

BUJÍA DE ENCENDIDO

- Quite el cable de la bujía de encendido de la bujía.
- Use una llave para bujía de encendido extra larga de 14 mm de extensión (se incluye) para quitar la bujía.
- Inspeccione el electrodo de la bujía. Debe estar limpio y no debe estar gastado para producir la chispa necesaria para el encendido. Reemplace si es necesario. Consulte la sección de ESPECIFICACIONES para determinar el tipo correcto de bujía.
- Verifique la luz de la bujía de encendido para asegurar que tenga entre 0,6 – 0,7 mm (0,024 – 0,028 pulg.). Ajuste según resulte necesario.
- Enrosque cuidadosamente la bujía en el motor.
- Use la llave para bujías de encendido para instalar la bujía firmemente.
- Conecte el cable de la bujía de encendido a la bujía.

FILTRO DE AIRE

- Quite la tuerca mariposa y la caja que asegura el filtro de aire a la estructura.
- Quite el elemento del filtro de espuma.
- Lave el elemento del filtro con detergente líquido y agua. Enjuáguelo bien y estrújelo en un paño limpio y absorbente hasta que se seque.
- Sature el elemento con aceite de motor limpio. A continuación, estrújelo en un paño limpio y absorbente para quitar el exceso de aceite.
- Coloque el elemento del filtro en la estructura.
- Vuelva a conectar la tapa del filtro de aire y, a continuación, vuelva a colocar la caja del filtro de aire y la tuerca mariposa.

LIMPIEZA

PRECAUCIÓN: NO rocíe el motor con agua. El agua puede contaminar el sistema de combustible.

- Limpie las superficies externas del motor con un paño húmedo.
- Quite la suciedad y el aceite con un cepillo de cerda blanda.
- Limpie la suciedad y los residuos del motor con un compresor de aire (de

menos de 25 PSI).

CRONOGRAMA DE MANTENIMIENTO*

Cada 8 horas o antes de cada uso:

- Verifique el nivel de aceite y agregue aceite según resulte necesario.
- Limpie el área que circunda la toma de aire y el silenciador.
- Compruebe que no haya tuercas, pernos y conexiones flojos. Apriete cualesquiera de estos que estén flojos.

Primeras 5 horas:

- Cambie el aceite.

Primeras 10 horas:

- Verifique el espacio de la válvula y ajústelo según resulte necesario.**

Cada 20 horas o cada temporada:

- Limpie el filtro de aire.
- Cambie el aceite.

Cada 100 horas o cada temporada:

- Limpie y ajuste la bujía de encendido.
- Verifique el espacio de la válvula y ajústelo según resulte necesario.**
- Limpie el tanque de combustible y el filtro de combustible.**

Cada 3 años:

- Reemplace la línea de combustible**

*Se requieren tareas de mantenimiento más frecuentes al trabajar bajo condiciones de suciedad o polvo o en un clima extremadamente caliente.

**Lo deben realizar propietarios con conocimientos y experiencia o distribuidores del servicio de reparación certificados.

DRENAJE

Si la bomba está sujeta a temperaturas por debajo del punto de congelamiento, quite el tapón de drenaje y el tapón de cebado para drenarla. Después de que se drene el agua, haga funcionar la bomba durante algunos segundos para sacar el resto del agua del cuerpo de la bomba. Asegúrese de que las líneas de succión y de descargas estén libres de agua.

ALMACENAMIENTO



ADVERTENCIA: Almacene la bomba en un área bien ventilada, lejos del calor, de llamas o de chispas.

- Espere hasta que el motor se enfríe completamente.
- Limpie el motor y la bomba según se indica en la sección LIMPIEZA.
- Drene todo el combustible de la línea de combustible y del carburador para prevenir la formación de adherencias.
- Gire la válvula de combustible a la posición de apagado (OFF).
- Agregue estabilizador de combustible en el tanque de combustible.
- Cambie el aceite.
- Quite la bujía de encendido y coloque 1,5 centilitros (1/2 onza) de aceite en el cilindro. Haga mover el motor lentamente para distribuir el aceite y lubricar el cilindro.
- Instale la bujía de encendido.
- Drene toda el agua de la cámara de la bomba.
- Almacene la bomba en un área limpia y seca fuera de la luz solar directa.

TABLA PARA SOLUCIONAR PROBLEMAS

PROBLEMAS	CAUSAS	SOLUCIONES
La bomba no bombea	Hay fuga de aire en la línea de succión.	Asegúrese que la manguera de succión esté con doble abrazaderas en las uniones, que estén bien ajustadas, que los acoplamientos tengan compuesto en las rosas y que estén bien ajustados, que no haya doblez ni cortes en la manguera.
	Las línea(s) de succión y/o descarga pueden estar bloqueadas, o la válvula(s) puede estar cerrada(s), falladas y/o bloqueadas.	Asegúrese que las líneas y válvulas estén en buenas condiciones de funcionamiento.
	El extremo de la línea de succión no está	Aumente el largo, o coloque la bomba más cerca de la sumergido. fuente del líquido.
	La elevación total es demasiada para esta bomba.	Reduzca la elevación total o use una bomba con mayor elevación.
La bomba no mantiene la carga	La altura de succión es demasiada (*1).	Coloque la bomba más cerca de la fuente del líquido.
El cargado toma mucho tiempo	La línea de succión es muy larga.	Vea la sección de "Encendido" bajo Funcionamiento.
	Hay bolsas de aire o fugas en la línea de succión.	Vea que no haya conexiones flojas en la línea.
La bomba no funciona tan bien como debería	El flujo está restringido debido a: a) Acumulación de desperdicios. b) Válvula(s) fallada o semi abierta c) Las tuberías/mangueras usadas son más pequeñas que el tamaño de rosca de la bomba.	a) Limpie las líneas y los acoplamientos. b) Asegúrese que las válvulas estén funcionando bien. c) Aumente el tamaño de la tubería/manguera para reducir la pérdida por fricción.
	El extremo de la línea de succión no está sumergida lo suficiente.	El extremo de la línea de succión debe estar sumergido.
	El propulsor está excesivamente gastado (*2).	Reemplace el propulsor.
	El sello está dañado (*3). Habrá fuga de líquido por el medio del adaptador.	Reemplace el sello.
	Hay bolsas de aire o fugas en la línea de succión.	Revise la línea de succión.
	Propulsor atorado.	Quite el cuerpo de la bomba para limpiar.
	El acelerador del motor está en posición SLOW.	Desplace el acelerador a la posición FAST.
La bomba pierde la carga	El nivel del líquido baja por debajo del extremo de la línea de succión.	Aumente el largo de la línea de succión o coloque la bomba más cerca de la fuente del líquido.
La bomba no arranca.	No tiene combustible.	Espere 2 minutos para que se enfríe el motor y llene el tanque de combustible.
	Bujía de encendido defectuosa.	Reemplace la bujía de encendido.
	La palanca de la válvula de combustible está en posición de OFF.	Gire la palanca de la válvula de combustible a la posición de ON.
	El interruptor de encendido está en la posición de OFF.	Gire el interruptor de encendido a la posición de ON.
	El obturador está en la posición incorrecta.	Desplace la palanca del obturador a la posición de CHOKE.
La bomba arranca pero anda mal.	El obturador está en la posición incorrecta.	Desplace la palanca del obturador a la posición de RUN.
	Cable de bujía de encendido suelto.	Conecte el cable a la bujía de encendido.
	Bujía de encendido defectuosa.	Reemplace la bujía de encendido.
	El combustible está contaminado (agua, residuos, etc.).	Espere 2 minutos para que se enfríe el motor y drene el tanque de combustible y el carburador. Llene el tanque con combustible fresco.
La bomba se apaga durante el funcionamiento.	No tiene combustible.	Espere 2 minutos para que se enfríe el motor y llene el tanque de combustible.

*1) La altura de succión excesiva debe tener en cuenta:

- a) El tamaño y largo de la tubería
- b) Acoplamientos de la tubería
- c) Elevación sobre el nivel del mar

Incluyendo todo lo anterior, recomendamos que el total de la altura de succión total no exceda los 25 pies.

*2) Un propulsor excesivamente desgastado es causado principalmente por cavitación, lo cual puede ser causado por un número de situaciones. Ejemplos:





- a) Succión restringida
- b) Altura de succión excesiva

*3) El sello puede estar dañado debido a:

- a) Desgaste normal
- b) Recalentamiento
- c) Bombeo de químicos para los que el sello no está diseñado

Póngase en contacto con un almacén de servicio autorizado para obtener más ayuda.

ESPECIFICACIONES

				
	5RLAG-2	6RLAG-2ST	6RLAG-3ST	6RLAG-3TT
Motor	Diseño OHV, certificación EPA			
Desempeño	5.5 HP @ 3400 RPM		6.0 HP @ 4000 RPM	
Tipo de combustible	Gasolina común sin plomo, mínimo 85 octanos*			
Capacidad de combustible	1.0 gallons (3.6 liters)			
Tipo de aceite	Vea la Figura 2			
Capacidad de aceite	0.63 quart (0.6 liter)			
Tipo de bujía de encendido	F6TC o equivalente			
Luz de la bujía de encendido	0.024 - 0.028 inch (0.6 - 0.7 mm)			
Espacio de la válvula, entrada	0.005 - 0.007 inch (0.13 - 0.17 mm)			
Espacio de la válvula, salida	0.007 - 0.009 inch (0.18 - 0.22 mm)			
Apagado	92 ft (28 m)	92 ft (28 m)	85 ft (26 m)	75 ft (23 m)
Altura de succión (máx.)	25 ft (7.5 m)			
Tamaño de la entrada	1" diámetro NPT			
Tamaño de descarga	1" diámetro NPT			
Caudal máximo	150 GPM (567 LPM)		264 GPM (1000 LPM)	285 GPM (1079 LPM)
Peso	52.9 lb (24.0 kg)		59.5 lb (27.0 kg)	88.2 lb (40.0 kg)
Altura	15.5 in (39.4 cm)		18.0 in (45.7 cm)	17.5 in (44.5 cm)
Ancho	14.5 in (36.8 cm)		15.8 in (40.1 cm)	17.3 in (43.9 cm)
Largo	18.0 in (45.7 cm)		20.6 in (57.3 cm)	21.4 in (54.4 cm)

*No use gasolina que contenga más de 10% etanol (E10) o 5% metanol por volumen. El uso de combustibles que contengan un porcentaje superior a lo indicado de etanol o metanol puede causar problemas de arranque y/o rendimiento y puede dañar las piezas de metal, goma y/o plástico del sistema de combustible. La garantía no cubre los daños al motor y/o problemas de rendimiento que resulten del uso de combustibles con porcentajes de etanol o metanol superiores a los indicados.

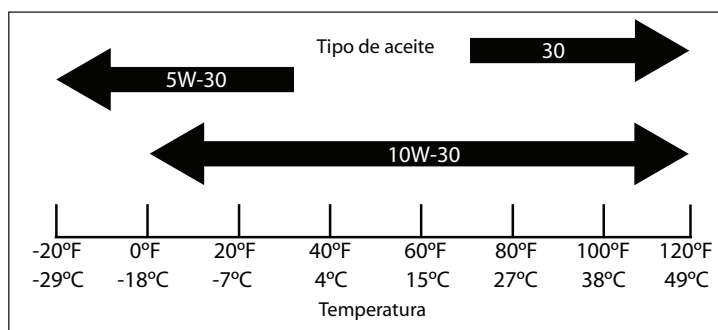
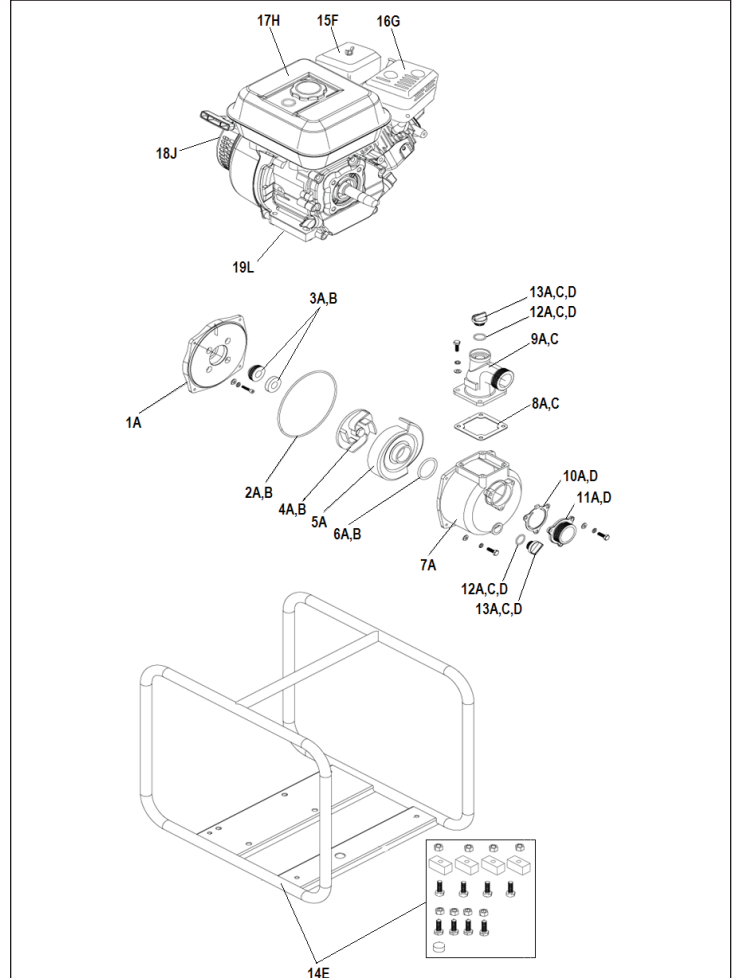
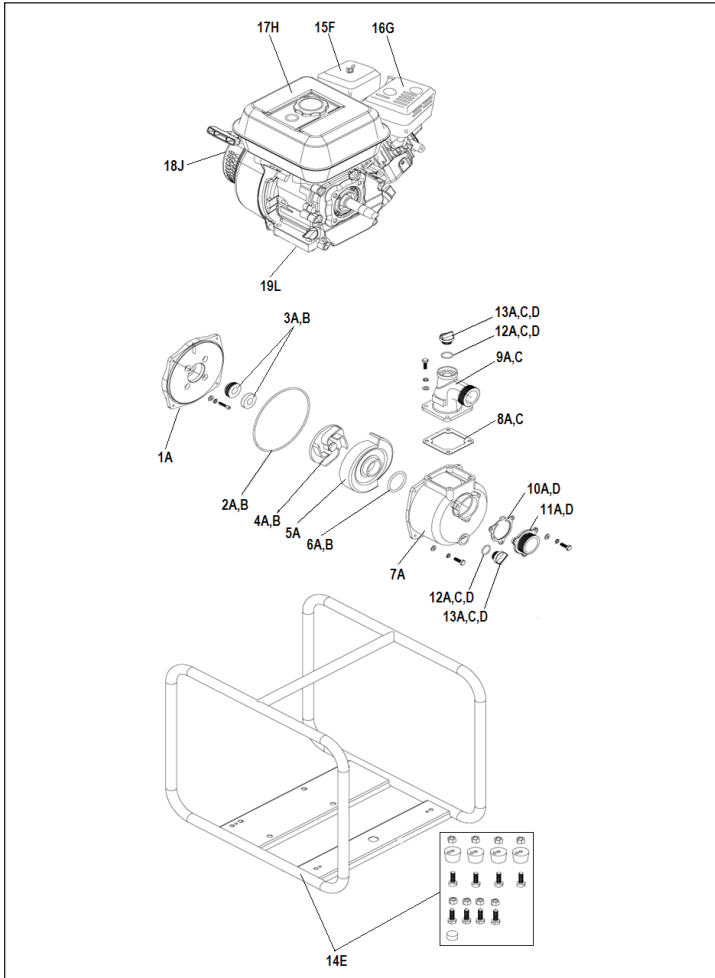


FIGURE 2

PIEZAS DE RECAMBIO

MODELOS 5RLAG-2 / 6RLAG-2ST			
N.º DE ELEMENTO	DESCRIPCIÓN	I.D. DE GRUPO DEL KIT*	N.º PIEZA
1	Adaptador	A	617110
2	Anillo tórico, 195 mm de DI	A	617110
		B	617111
3	Sello mecánico	A	617110
		B	617111
4	Impulsor con arandela	A	617110
		B	617111
5	Canal colector de la funda	A	617110
6	Junta del canal colector	A	617110
		B	617111
7	Funda de la bomba	A	617110
8	Empaquetadura	A	617110
		C	617112
		D	617113
9	Brida de descarga	A	617110
		C	617112
10	Chapaleta	A	617110
		D	617113
11	Brida de succión	A	617110
		D	617113
12	Anillo tórico, 25 mm de DI	A	617110
		C	617112
		D	617113
13	Bujía con tapón	A	617110
		C	617112
		D	617113
14	Marco del rodillo	E	617114
15	Ensamblaje del filtro de aire	F	617130
16	Ensamblaje del silenciador	G	617131
17	Tanque de combustible	H	617132
18	Ensamblaje de retroceso	J	617133
19	Motor	L	617136
--	Kit de accesorios (no se muestra)**	--	617134
--	Filtro de aire (no se muestra)	--	617135

MODELO 6RLAG-3ST			
N.º DE ELEMENTO	DESCRIPCIÓN	I.D. DE GRUPO DEL KIT*	N.º PIEZA
1	Adaptador	A	617115
2	Anillo tórico, 218 mm de DI	A	617115
		B	617116
3	Sello mecánico	A	617115
		B	617116
4	Impulsor con arandela	A	617115
		B	617116
5	Canal colector de la funda	A	617115
6	Junta del canal colector	A	617115
		B	617116
7	Funda de la bomba	A	617115
8	Empaquetadura	A	617115
		C	617117
		D	617118
9	Brida de descarga	A	617115
		C	617112
10	Chapaleta	A	617115
		D	617118
11	Brida de succión	A	617115
		D	617118
12	Anillo tórico, 25 mm de DI	A	617115
		C	617117
		D	617118
13	Bujía con tapón	A	617115
		C	617117
		D	617118
14	Marco del rodillo	E	617119
15	Ensamblaje del filtro de aire	F	617130
16	Ensamblaje del silenciador	G	617131
17	Tanque de combustible	H	617132
18	Ensamblaje de retroceso	J	617133
19	Motor	L	617136
--	Kit de accesorios (no se muestra)**	--	617134
--	Filtro de aire (no se muestra)	--	617135

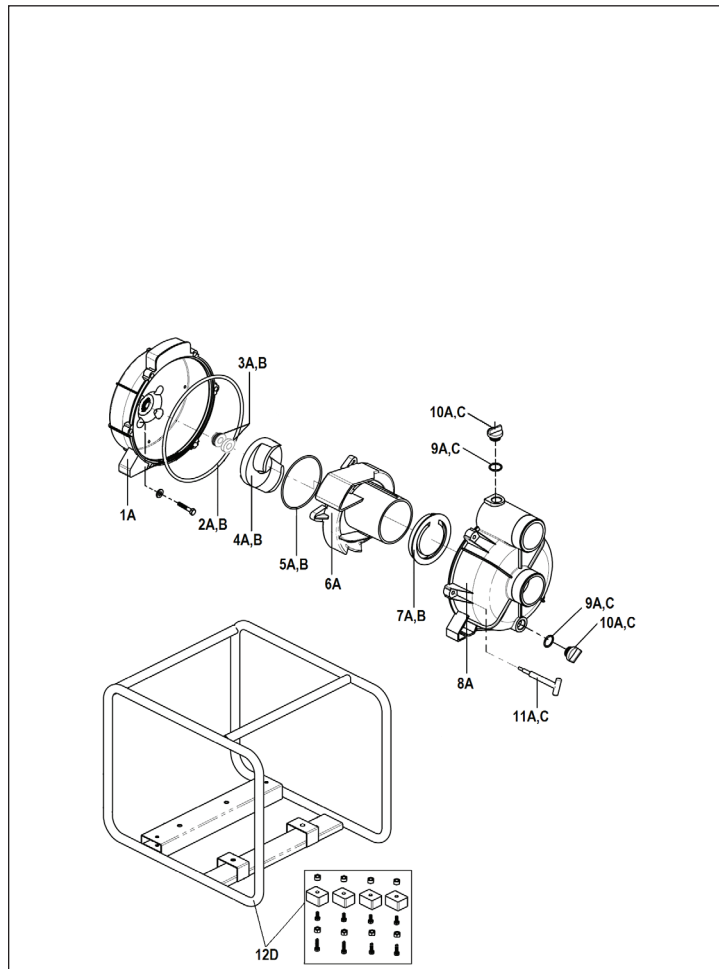


PIEZAS DE RECAMBIO

MODELO 6RLAG-3TT			
N.º DE ELEMENTO	DESCRIPCIÓN	I.D. DE GRUPO DEL KIT*	N.º PIEZA
1	Adaptador	A	617120
2	Anillo tórico, 265 mm de DI	A	617120
		B	617121
3	Sello mecánico	A	617120
		B	617121
4	Impulsor con arandela	A	617120
		B	617121
5	Anillo tórico, 132 mm	A	617120
		B	617121
6	Canal colector de la funda	A	617120
7	Válvula de chapaleta	A	617120
		B	617121
8	Funda de la bomba	A	617120
9	Anillo tórico, 25 mm de DI	A	617120
		C	617122
		A	617120
10	Bujía con tapón	A	617120
		C	617122
11	Perno en T	A	617120
		C	617122
12	Marco del rodillo	D	617123
13	Ensamblaje del filtro de aire	E	617130
14	Ensamblaje del silenciador	F	617131
15	Tanque de combustible	G	617132
16	Ensamblaje de retroceso	H	617133
17	Motor	J	617136
--	Kit de accesorios (no se muestra)**	--	617134
--	Filtro de aire (no se muestra)	--	617135

*Los elementos con identificadores iguales se venden/empacan juntos. Con fines prácticos, cada kit de reparación contiene los sujetadores necesarios para volver a armar sus componentes.

**El juego incluye: tapa del tanque de combustible, taza de filtro de combustible, tapón de drenaje de aceite con arandela de goma, línea de combustible, abrazaderas de la línea de combustible.



GARANTÍA LIMITADA:

Para consideraciones de la garantía, Franklin Electric Company, Inc. y sus subsidiarios (denominada de ahora en adelante "la Compañía"), garantiza que los productos especificados en esta garantía están libres de defectos en los materiales y en la mano de obra de la Compañía. Durante el período, y sujeto a los términos estipulados en este documento, la Compañía reparará o reemplazará al cliente o usuario original cualquier parte del producto que presente defectos materiales o de fabricación atribuibles a la compañía. En todo momento, la Compañía tendrá y poseerá el único derecho y opción de determinar si repara o reemplaza el equipo, piezas o componentes defectuosos. La Compañía tiene la opción de inspeccionar cualquier producto devuelto bajo los términos de la garantía para confirmar que esté cubierto por la garantía antes de aprobar la reparación o reemplazo según la garantía. Esta garantía constituye la única obligación de la Compañía y es el único recurso que tiene el cliente si el producto tiene defectos. Devuelva el producto defectuoso al sitio de compra para que sea considerado bajo la garantía.

DURACIÓN DE LA GARANTÍA – PRODUCTOS: 12 meses a partir de la fecha de compra por el cliente. (Los cepillos, el impulsor o la leva en los modelos con motor de cepillo y/o los impulsores de aletas flexibles no están cubiertos por la garantía.) En caso de que no exista un comprobante adecuado de la fecha de compra, el período efectivo de esta garantía comenzará a partir de la fecha de fabricación del producto.

PERÍODO DE GARANTÍA – SISTEMA DE CONTROL DE EMISIONES: 24 meses desde la fecha de compra por parte del usuario. Consulte el manual del propietario del fabricante del motor para obtener detalles sobre la garantía del sistema de control de emisiones (Garantía "ECS" por sus siglas en inglés).

MANO DE OBRA Y OTROS COSTOS: La Compañía DE NINGUNA MANERA será responsable por el costo de la mano de obra en el campo u otros cargos en que incurra cualquier cliente al retirar y/o instalar algún producto, pieza o componente.

MEJORAS AL PRODUCTO: La Compañía se reserva el derecho de cambiar o mejorar sus productos, o cualquier parte de los mismos, sin que por ello tenga la obligación de realizar dicho cambio o mejora en las unidades vendidas y/o despachadas con anterioridad.

TÉRMINOS Y CONDICIONES GENERALES: Esta garantía no tiene efecto si los daños se deben a fuerza mayor, desgaste por uso normal, servicios de mantenimiento normal y la piezas utilizadas para dicho servicio, rayos o condiciones que estén fuera del alcance de la Compañía, como tampoco tendrá vigencia en aquellos productos que, a criterio exclusivo de la Compañía, hayan sido sujetos a negligencia, maltrato, accidente, mal uso, manipulación indebida, alteración o instalación, funcionamiento, mantenimiento o almacenamiento indebidos, o si se sobrepasan los valores máximos recomendados, estipulados en estas instrucciones.

Esta garantía quedará ANULADA si se hallan cualesquiera de las siguientes condiciones:

1. El producto se utiliza para propósitos distintos a aquellos para los cuales fue diseñado y fabricado
2. El producto no fue instalado de conformidad con las normas, reglamentos y prácticas comerciales aceptadas
3. La bomba funcionó sin líquido (se cortó el suministro de líquido)
4. Cubierta del motor abierta o producto desarmado por el cliente.

EXENCIÓN DE RESPONSABILIDAD: Toda afirmación verbal con respecto al producto, por parte del vendedor, la Compañía, los representantes o cualquier otra parte, no constituye garantía alguna, no debe ser considerada como tal por el usuario y no forma parte del contrato de venta. La única obligación del vendedor y la Compañía, y el único recurso del comprador, será el reemplazo y/o reparación que hará la Compañía del producto, tal como se describió anteriormente. NI EL VENDEDOR NI LA COMPAÑÍA SERÁN RESPONSABLES POR CUALQUIER LESIÓN, PÉRDIDA O DAÑO DIRECTO, INCIDENTAL O INDIRECTO (LO QUE INCLUYE, SIN LIMITACIÓN, DAÑOS INCIDENTALES O INDIRECTOS POR PÉRDIDA DE GANANCIAS, DE VENTAS, LESIONES PERSONALES O MATERIALES, O CUALQUIER OTRO DAÑO INCIDENTAL O INDIRECTO) QUE RESULTARA DEL USO O INCAPACIDAD DE USAR EL PRODUCTO, Y EL USUARIO ACUERDA QUE NO HAY NINGÚN OTRO RECURSO. Antes de usarlo, el usuario deberá determinar la idoneidad del producto para el uso propuesto y asumirá todos los riesgos y toda la responsabilidad que ello implique. LA GARANTÍA Y RECURSO DESCRITOS EN ESTA GARANTÍA LIMITADA REPRESENTAN UNA GARANTÍA Y RECURSO EXCLUSIVOS Y SE OFRECEN EN LUGAR DE CUALQUIER OTRA GARANTÍA O RECURSO, EXPLÍCITO O IMPLÍCITO. POR EL PRESENTE, SE EXCLUYEN EXPLÍCITAMENTE OTRAS GARANTÍAS Y RECURSOS, INCLUSO, PERO SIN LIMITARSE A CUALQUIER GARANTÍA IMPLÍCITA DE COMERCIALIZACIÓN O IDONEIDAD PARA UN PROPÓSITO ESPECÍFICO. EN LA MEDIDA EN QUE CORRESPONDA A UN PRODUCTO, LA GARANTÍA ESTARÁ LIMITADA EN DURACIÓN A LOS PERÍODOS DE LAS GARANTÍAS EXPRESAS DESCRITAS ANTERIORMENTE. Algunos estados y países no permiten la exclusión o las limitaciones sobre la duración de las garantías implícitas ni la exclusión o limitación de responsabilidades por daños incidentales o indirectos, por lo que puede que las exclusiones o limitaciones anteriores no correspondan en su caso particular. Esta garantía le otorga a usted derechos legales específicos y es posible que usted también tenga otros derechos que varían según el estado o país.

**LLAME PARA SOLICITAR AUTORIZACION DE RETOUR DE
MARCHANDISE (RMA) ANTES DE DEVOLVERLO**

Línea directa y gratuita de ayuda: 1-888-956-0000
Correo electrónico: wts-orders@fele.com
www.redlionproducts.com

RED LION