

# Weymouth® Technical Specification

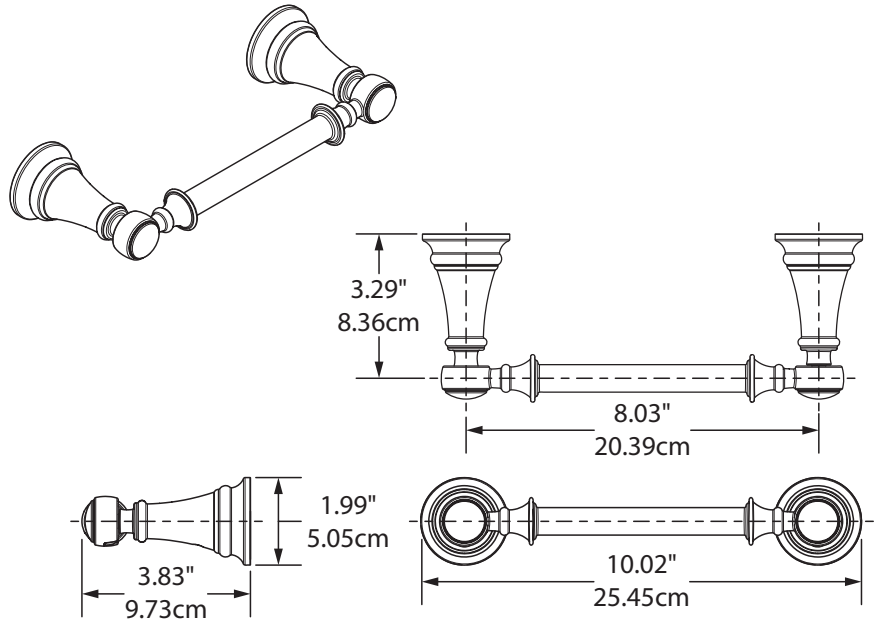
## Paper Holder

# YB8408

### Stock Numbers:

- **YB8408BN – Paper Holder**  
Brushed Nickel Finish
- **YB8408CH – Paper Holder**  
Chrome Finish
- **YB8408ORB – Paper Holder**  
Oil Rubbed Bronze Finish
- **YB8408NL – Paper Holder**  
Polished Nickel Finish
- **YB8408BG – Paper Holder**  
Brushed Gold Finish

### Dimensions:



### Materials:

**Paper Holder** is constructed of zinc.

### Installation Instructions:

1. Position the mounting template on the wall in the desired location. Using a level, align the template and tape it to the wall.
2. Remove each mounting post from the body by loosening the set screw.
3. Place each mounting post on the template with notch facing down.
4. Mark the 2 large hole locations of each mounting bracket.
5. Attach each mounting bracket to the wall, using the wall anchors provided
6. Mount each base on the corresponding mounting bracket. Check and make sure that the base set screw hole(s) are facing down. Assemble a set screw to each base. Use the allen wrench included in hardware kit to tighten each set screw and secure the assembly to the mounting bracket(s).
7. Tighten all 4 screws. Do not over tighten.
8. Place each post over the mounting plate (set screw down). Pivoting post with bar to be on left side. Tighten both set screws.

### Cleaning Instructions:

To preserve the fine finish of this product, clean only with a soft damp cloth. Dry well. Do not use commercial or abrasive cleaners.

**Stock Number:** \_\_\_\_\_ **Paper Holder**  
**By Moen Incorporated**

 **MOEN**  
Buy it for looks. Buy it for life.®

25300 AL MOEN DRIVE • NORTH OLMSTED, OH 44070  
CORPORATE HEADQUARTERS: (800) 321-8809 • FAX: (800) 848-6636  
INTERNATIONAL: (440 ) 962-2000 • FAX: (440) 962-2726  
CUSTOMER SERVICE (USA): 800-882-0116 • FAX: (888) 379-2720  
WWW.MOEN.COM

© 2017 Moen Incorporated. Moen is a registered trademark and Weymouth is a trademark of Moen Incorporated. All rights reserved.