

### PRODUCT SPECIFICATIONS

Elkay Crosstown® Stainless Steel 25" x 22" x 9", Single Bowl Dual Mount Sink Kit. Sink is manufactured from 18 gauge 304 Stainless Steel with a Polished Satin finish, Rear Center drain placement, and Sound Guard.

<b>Installation Type:</b>	Drop-in, Undermount
<b>Material:</b>	304 Stainless Steel
<b>Finish:</b>	Polished Satin
<b>Gauge:</b>	18
<b>Sound Deadening:</b>	Sound Guard
<b>Number of Bowls:</b>	1
<b>Sink Dimensions:</b>	25" x 22" x 9"
<b>Bowl 1 Dimensions:</b>	22-1/2" x 16-3/4" x 9"
<b>Drain Size:</b>	3-1/2" (89mm)
<b>Drain Location:</b>	Rear Center
<b>Minimum Cabinet Size:</b>	30"
<b>Template Included:</b>	Yes
<b>Cutout Template #:</b>	<a href="#">1000001179</a>

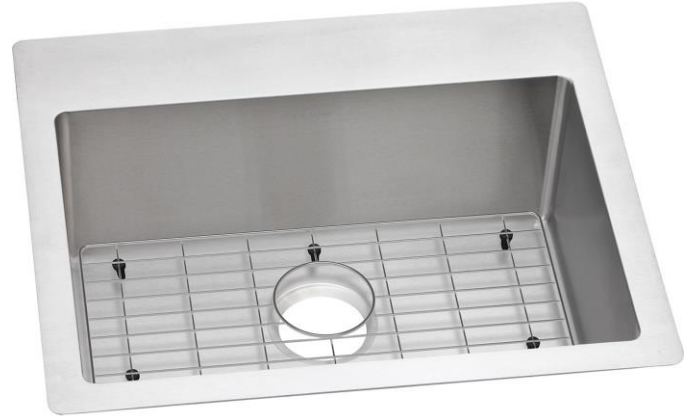
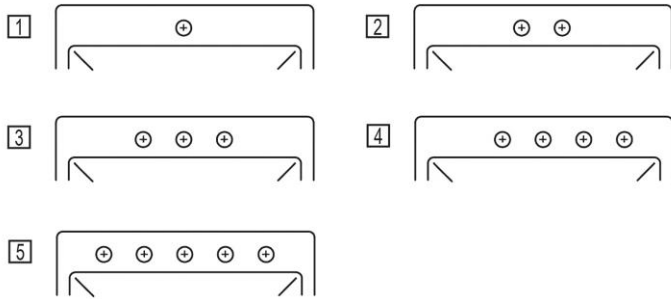
Template is available for download at [elkay.com](#)

#### Cutout Dimensions for Top Mount Installation:

24-3/8" x 21-3/8" (619mm x 543mm) with 1/2" (12mm) corner radius

#### Hole Drilling Configurations:

1-1/2" (38mm) Diameter Faucet Holes on 4" (102mm) Centers



**Included with Product:** ECTSR25229T Sink, CTXBG2115 Bottom Grid

AMERICAN PRIDE. A LIFETIME TRADITION. Like your family, the Elkay family has values and traditions that endure. For almost a century, Elkay has been a family-owned and operated company, providing thousands of jobs that support our families and communities.

**Product Compliance:** ASME A112.19.3/CSA B45.4

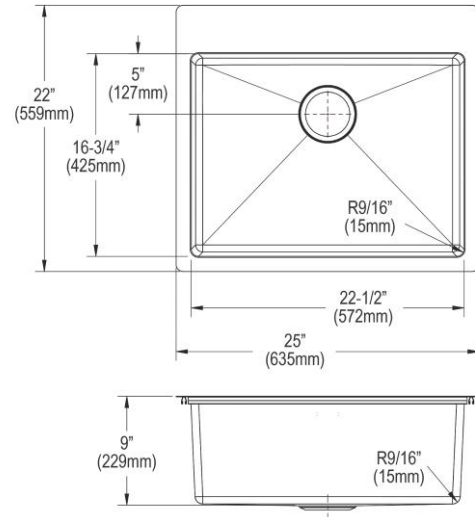


Sinks are listed by IAPMO® as meeting the applicable requirements of the Uniform Plumbing Code®, International Plumbing Code®, and c.® National Plumbing Code of Canada.

[Clean and Care Manual \(PDF\)](#)

[Installation Instructions \(PDF\)](#)

[Limited Lifetime Warranty \(PDF\)](#)



PART: \_\_\_\_\_ QTY: \_\_\_\_\_

PROJECT: \_\_\_\_\_

CONTACT: \_\_\_\_\_

DATE: \_\_\_\_\_

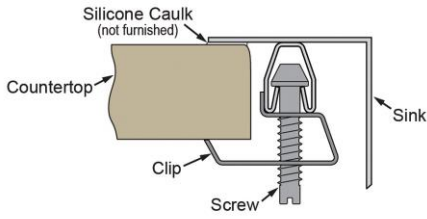
NOTES: \_\_\_\_\_

APPROVAL: \_\_\_\_\_

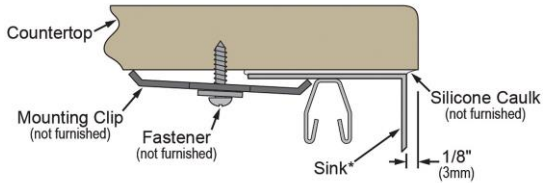
In keeping with our policy of continuing product improvement, Elkay reserves the right to change product specifications without notice. Please visit [elkay.com](#) for the most current version of Elkay product specification sheets. This specification describes an Elkay product with design, quality, and functional benefits to the user. When making a comparison of other producers' offerings, be certain these features are not overlooked.

#### Installation Profile:

##### DROP-IN



##### UNDERMOUNT - 1/8" OVERHANG



\*Designed to affix to the underside of any solid surface countertop.

### OPTIONAL ACCESSORIES

<b>Drain:</b>	LKDD, LK35
<b>Hardware:</b>	LKUCLIP8
<b>Sinkmate:</b>	LKSMHSL

In keeping with our policy of continuing product improvement, Elkay reserves the right to change product specifications without notice. Please visit [elkay.com](http://elkay.com) for the most current version of Elkay product specification sheets. This specification describes an Elkay product with design, quality, and functional benefits to the user. When making a comparison of other producers' offerings, be certain these features are not overlooked.