

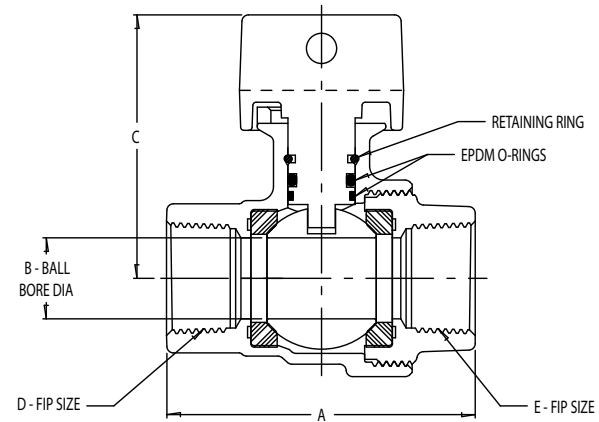


SUBMITTAL DATA

6101 CURB STOPS - BALL STYLE

A.Y. McDONALD CONSIDERS THE INFORMATION ON THIS ASSEMBLY DRAWING CORRECT WHEN PUBLISHED. ITEM AND OPTION AVAILABILITY, INCLUDING SPECIFICATIONS, ARE SUBJECT TO CHANGE WITHOUT NOTICE. PLEASE VERIFY THAT PRODUCT INFORMATION IS CURRENT.

PART NO.	MODEL	SIZE	A	B	C	D	E
4132-326	6101	1/2 X 5/8 X 1/2	2.88	.625	2.31	1/2	1/2
4132-155	6101	5/8 X 3 1/2	3.50	.625	2.31	3/4	3/4
4132-153	6101	5/8 X 3 3/4	3.66	.625	2.31	3/4	3/4
4129-173	6101	3/4	2.85	.750	2.39	3/4	3/4
4132-130	6101	3/4 X 5/8 X 3/4	2.81	.625	2.29	3/4	3/4
4143-192	6101	1 X 3/4 X 3/4	3.09	.750	2.39	1	3/4
4143-193	6101	1 X 3/4 X 1	3.32	.750	2.39	1	1
4129-174	6101	1	3.47	1.00	2.65	1	1
4132-011	6101	1 1/4 X 1 X 1	3.61	1.00	2.65	1 1/4	1
4129-124	6101	1 1/4 X 1 X 1 1/4	4.31	1.00	2.65	1 1/4	1 1/4
4132-274	6101	1 1/4 X 1 1/2 X 1 1/4	4.04	1.50	3.39	1 1/4	1 1/4
4129-113	6101	1 1/2	4.29	1.50	3.39	1 1/2	1 1/2
4129-119	6101	2	5.07	2.00	3.67	2	2
4132-450	6101	2 1/2 X 2 X 2 1/2	8.85	2.00	3.71	2 1/2	2 1/2



- All cast brass conforms to AWWA Standard C800-01 (ASTM B-62, UNS C83600 – 85-5-5-5).
- Valves are non-directional.
- Large full flat head operating head.
- Encapsulated lugs under cap provide 90° open to close operation.
- Body design includes heavy wrench flats for proper installation.
- Blowout proof cap and stem design.
- Cap and stem include EPDM o-ring seals.
- Threads conform to current AWWA C800-01 standard.
- Brass Teflon coated (PTFE) ball for use in potable water systems.
- EPDM rubber seals held and sealed in place with adhesive.
- 300 PSIG water working pressure.
- Designed for use with potable water.
- Materials meet or exceed A.W.W.A. standard C-800-01.

Available options:

- 360° rotation head
- Lockwing
- Detachable stainless steel handle
- Detachable brass handle
- Fixed brass handle

A.Y. McDONALD MFG. CO. • P.O. BOX 508 • DUBUQUE, IA 52004-0508
 800-292-2737 • FAX 800-832-9296 • sales@aymcdonald.com • www.aymcdonald.com

PREPARED FOR: _____

SUBMITTED BY: _____

DATE: _____