

## **Elkay Crosstown Stainless Steel Farmhouse Sink with Interchangeable Apron**

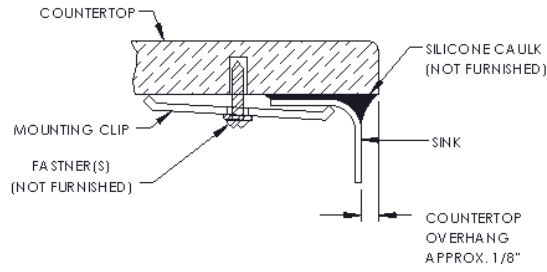
### Installation Instructions



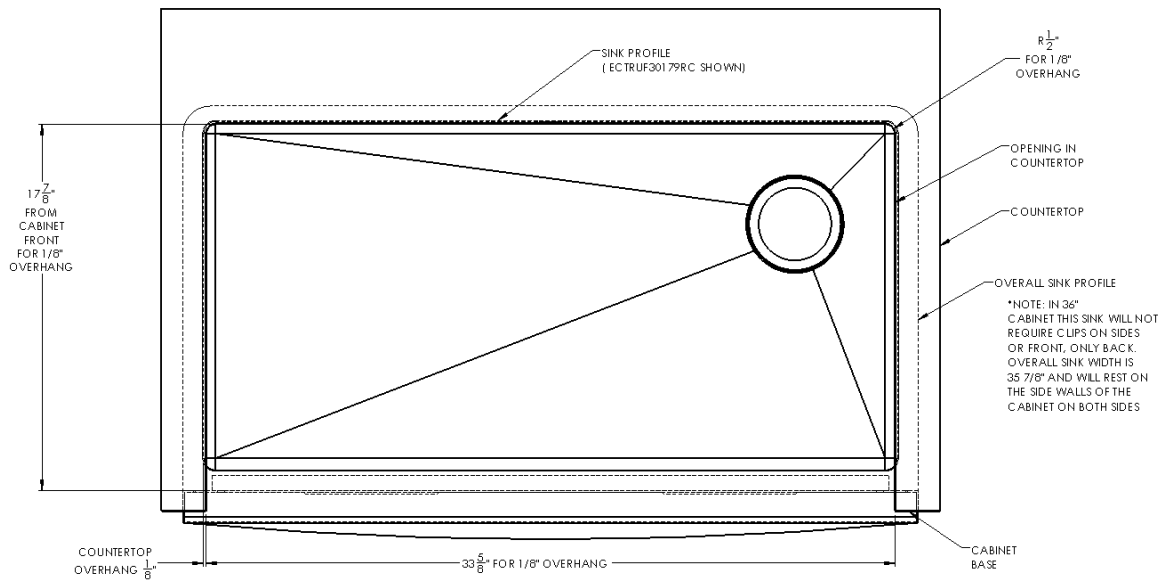
#### **ATTENTION INSTALLER: CAREFULLY READ THESE INSTRUCTIONS BEFORE YOU BEGIN**

- 1) ***RECOMMEND THAT UNDERMOUNT SINKS SHOULD BE INSTALLED BY A PROFESSIONAL EXPERIENCED INSTALLER.***
- 2) WARNING: DUE TO THE CUSTOM NATURE OF THIS TYPE OF INSTALLATION, NO CUTOUT TEMPLATE IS INCLUDED. RECOMMEND PROVIDING THE CABINET MAKER WITH THE ACTUAL SINK TO BE INSTALLED PRIOR TO CABINET FABRICATION. IT IS RECOMMENDED THAT THE SINK IS INSTALLED WITH A 1/8" OVERHANG AS ILLUSTRATED IN **FIGURE 1**. IT IS FURTHER RECOMMENDED THAT THE INSTALLER(S) DISCUSS THIS WITH THE CUSTOMER AND AGREE THAT THIS FINISHED APPEARANCE IS THE DESIRED EFFECT. NOT RESPONSIBLE FOR IMPROPER SINK OR COUNTERTOP INSTALLATIONS.
- 3) FOR REFERENCE, **FIGURE 2** PROVIDES DIMENSIONAL INFORMATION TO ESTABLISH THE CUTOUT POSITION IN RELATIONSHIP TO THE FRONT OF THE CABINET.
- 4) OPTIONAL: SINK CAN BE SECURED TO THE FRONT OF THE CABINET BY DRIVING FASTENERS (NOT SUPPLIED) THROUGH THE COUNTERSUNK HOLES, PROVIDED ON THE SINK, INTO THE CABINET FRONT AS ILLUSTRATED IN **FIGURE 3**.
- 5) PROPER INSTALLATION REQUIRES A COORDINATED EFFORT INCLUDING ADVANCED DIALOG BETWEEN THE DESIGNER (OR CUSTOMER), THE CABINET MAKER, THE COUNTERTOP FABRICATOR AND THE SINK INSTALLER DURING THE DESIGN AND INSTALLATION PHASE.
- 6) UNDERMOUNT SINKS SHOULD ONLY BE FASTENED TO A SOLID SURFACE COUNTERTOP (I.E. GRANITE/CORIAN®/SILESTONE®).
- 7) WHEN SINK AND CABINET ARE CORRECTLY SIZED THE SINK CAN REST ON SIDE WALLS OF CABINET AND NOT REQUIRE SIDE CLIPS. MATERIAL MAY BE REQUIRED TO BE REMOVED FROM CABINET TO LEVEL SINK BENEATH COUNTER.
- 8) NOT RESPONSIBLE FOR SINK OR COUNTERTOP IF DAMAGED DURING INSTALLATION.
- 9) METAL EDGES MAY BE SHARP - USE CAUTION WHEN HANDLING.
- 10) FOLLOW ALL LOCAL PLUMBING AND BUILDING CODES.
- 11) INSPECT SINK FOR DAMAGE PRIOR TO BEGINNING INSTALLATION.

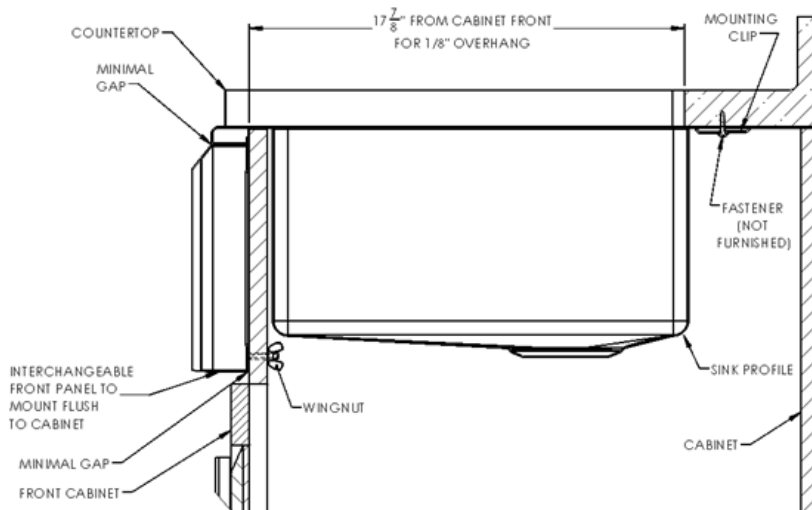
## INSTALLATION PROFILES



**1/8" COUNTERTOP OVERHANG  
FIGURE 1**



**FIGURE 2**



**FIGURE 3**

## Apron Installation



**INSTALL SINK, USING THE OBLONG SLOTS AS A TEMPLATE, CUT THROUGH THE CABINET FRONT FOR PROPER PANEL INSTALLATION...USE OTHER COUNTERSINK HOLES AS NEEDED TO ATTACH SINK TO CABINET SECURELY.**



**INSTALL APRON PANEL BY TILTING AND INSTALLING THE TABS INTO THEIR UNDER-LEDGE SLOTS**



**ALIGNING WELDED ON STUDS TO PASS THROUGH CABINET FRONT VIA CUT-THROUGH SLOTS**



**ONCE THE TABS ARE IN AND THE STUDS ARE THROUGH, THE APRON PANEL SHOULD LAY FLAT IN THE VERTICAL POSITION. OPEN CABINET DOORS AND REACH AROUND TO THE BACKSIDE OF THE APRON TO INSTALL THE PROVIDED WING NUTS ONTO THE STUD ON BOTH SIDES.**

**View installation video HERE: <https://www.youtube.com/watch?v=yYsEUGNEwuU>**

## Elkay Sinks, Faucets and Accessories Care and Cleaning

### Stainless Steel Sink

- General cleaning: use an ordinary mild detergent and soft cloth, rinse and towel dry.
- Steel soap pads should never be used; particles can adhere to a stainless steel sink surface and will eventually rust.
- Light scratches are normal for stainless steel sinks; over time they will blend into the uniform finish pattern.
- Do not use dish mats as these can trap soap and dirt making sink maintenance more time-consuming.
- We recommend the use of an Elkay bottom grid or rinsing basket to protect your sink.
- Avoid storing open containers of household cleaners and chemicals containing chloride such as bleach, acid, and drain cleaners or toilet bowl cleaner beneath the sink. Vapor emission from the chlorides can cause corrosion and pitting to the exposed stainless steel and other metals including faucet water supply lines.
- Run cold water when pouring boiling water into sink.

### Faucets

- Simply wipe gently with a damp cloth and blot dry with a soft towel.
- Avoid build-up of soap or mineral deposits, as these tend to have an adverse effect on the appearance of the product.
- NEVER use cleaning products of any kind on this product—especially those containing ammonia, bleach or alcohol—or those with any form of abrasive.

### Accessories

- Elkay colanders, cutting boards, rinsing baskets and bottom grids are not designed as “Dishwasher Safe” or “Microwave Safe”. These products should be hand washed in a mild detergent, rinsed thoroughly and hand dried.
- For wood cutting boards – apply a coat of mineral oil to all wood surfaces on a monthly basis or more frequently if needed.
- The following are recommendations from the USDA regarding cutting boards:
  - Always use a clean cutting board.
  - If possible, use one cutting board for fresh produce and a separate one for raw meat, poultry, and seafood.
  - Once cutting boards become excessively worn or develop hard-to-clean grooves, you should replace them.

### Stainless Steel/ PVD/Powder Coated Apron Panel

- General cleaning: use an ordinary mild detergent and soft cloth, rinse and towel dry.
- Steel soap pads should never be used; particles can adhere to a stainless steel surface and will eventually rust.
- Do not use strong chemicals such as paint removers or oven cleaners, straight or undiluted bleach solution, abrasive cleaning products, scouring pads, steel wool or caustic solutions containing ammonia or alkalis.

### Fireclay Apron Panel

- General cleaning: use soapy water or vinegar-based cleaner and a sponge and towel dry.
- Water marks: wipe with damp cloth and towel dry.
- Difficult stains: use a 50/50 water/bleach solution or non-abrasive cleaners (follow cleaner manufacturer's instructions), Rinse and towel dry.
- Do not use strong chemicals such as paint removers or oven cleaners, straight or undiluted bleach solution, abrasive cleaning products, scouring pads, steel wool or caustic solutions containing ammonia or alkalis.



## **Elkay Crosstown Stainless Steel Farmhouse Sink with Interchangeable Apron Limited Lifetime Warranty**

Elkay warrants to the original purchaser of an Elkay Crosstown Stainless Steel Farmhouse Sink with Interchangeable Apron that Elkay will, at its option, replace or repair, without charge, such product if it fails due to a manufacturing defect for a lifetime of normal residential use. Product replacement does not include transportation cost or labor installation cost. This warranty covers only Elkay Crosstown Stainless Steel Farmhouse Sink with Interchangeable Apron installed in a conventional solid surface countertop and applies to residential installations only. Elkay reserves the right to examine product in question and its installation prior to replacement.

### **Other Warranty Conditions on Sinks and Apron Fronts**

Our warranty does not cover product failure or damage caused by the use of optional Elkay accessories, abusive treatment, misuse, environmental factors, normal wear including dents and scratches, improper care and cleaning, use of aggressive and abrasive cleaners, damage due to handling or failure to follow the recommended procedures for installation, care and maintenance as detailed in the installation and care guide provided with every sink and apron front. This warranty is extended only to the original consumer purchaser of the product.

This warranty does not cover shipping costs, labor costs, or any other charges for such items as installation or replacement of the apron, diagnosis or replacement of any faucet or component part, or any other expense or loss. This warranty also does not cover obsolete, discontinued nor display products, whether such items are purchased at discount outlets and/or on-line or sold on clearance or close out.

**All incidental or consequential damages are specifically excluded. No additional warranties, express or implied are given, including but not limited to, any implied warranty of merchantability or fitness for a particular purpose.**

Some states do not allow the exclusion or limitation of incidental or consequential damages or limitations on how long an implied warranty lasts, so the above limitations or exclusions may not apply to you. This warranty gives you specific legal rights, and you may also have other rights which vary from state to state.

### **To Obtain Service Under Warranty**

1. Write to: Elkay Manufacturing Company  
Attention: Consumer Services  
2222 Camden Court  
Oak Brook, IL 60523
2. Include a letter containing the following information:
  - a. Date of purchase and installation.
  - b. Proof of Purchase (copy of original dated invoice).
  - c. Description of nature of defect.
  - d. Model number or description of model and/or component part if possible