



FLUSHMATE®

# Genuine Replacement Parts



501-B Series  
(Discontinued)



504 Series



503 Series

1-800-533-3450  
1-248-446-5300  
CAUTION: PRESSURE VESSEL  
TURN WATER SUPPLY OFF AND  
FLUSH UNIT PRIOR TO SERVICING

1-800-533-3450  
1-248-446-5300  
CAUTION: PRESSURE VESSEL  
TURN WATER SUPPLY OFF AND  
FLUSH UNIT PRIOR TO SERVICING  
USE COLD WATER ONLY

## Flushmate® Component Parts

Before starting your repair project, write down the model number, serial number, and Series number located on the Flushmate vessel label inside the toilet tank. Also have handy the name of the manufacturer of the toilet. With this information, you can identify the replacement part you need.

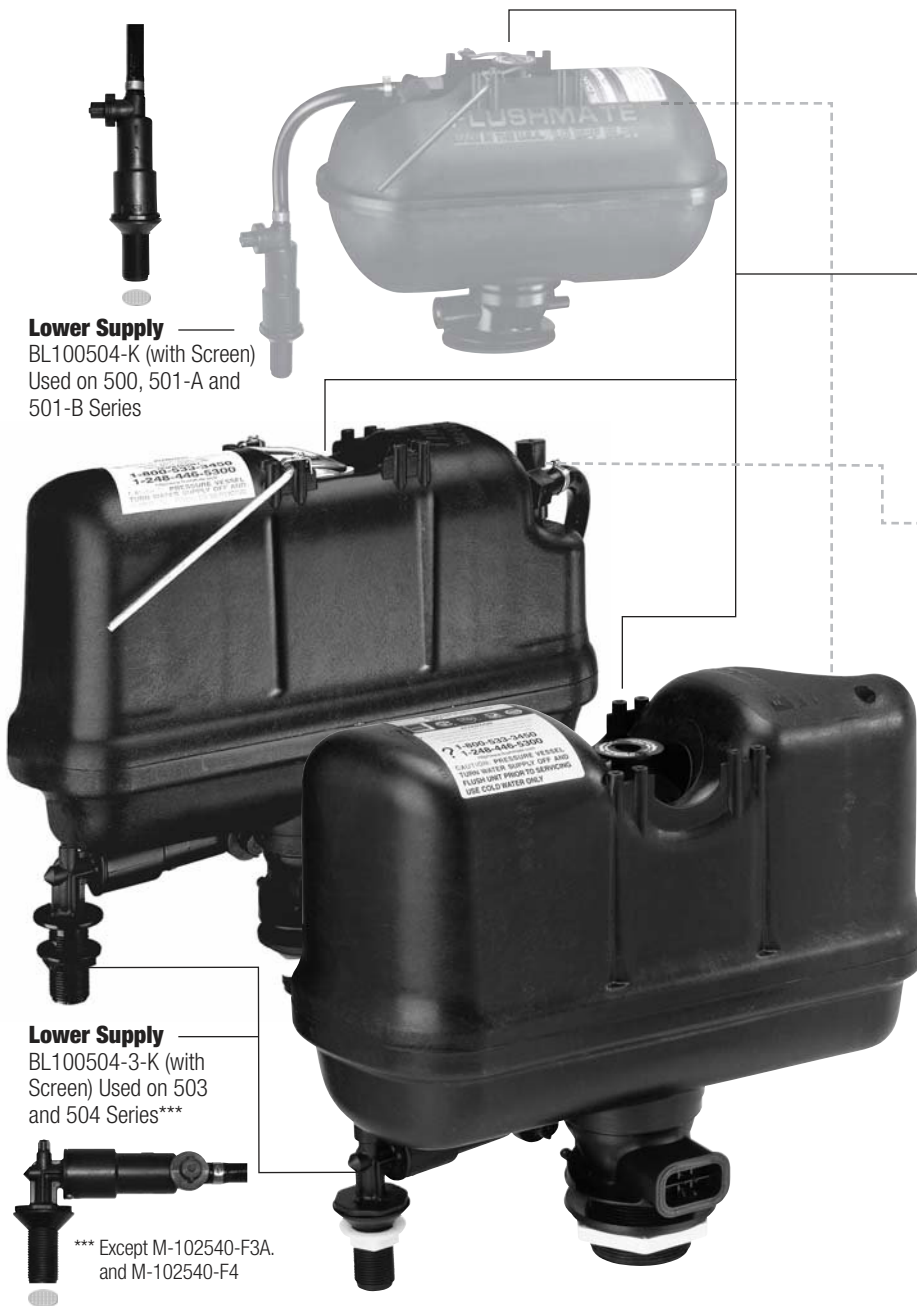
This price sheet is organized by Flushmate Series. Begin with the Series number and move on down to the part that you are looking to replace. A visual representation of the models, assemblies and parts are included inside to help with determining the correct replacement part.



### Flushmate Label

Model, Serial and Series numbers found here.

Flushmate products cannot be retrofitted to existing gravity toilet bowls. Please see “Complete Change-Out Kits for Two-Piece Toilets” section for specific change-out information of non-Flushmate pressure toilets.



**Lower Supply**  
BL100504-K (with Screen)  
Used on 500, 501-A and 501-B Series

**Lower Supply**  
BL100504-3-K (with Screen)  
Used on 503 and 504 Series\*\*\*

\*\*\* Except M-102540-F3A and M-102540-F4



**Flush Cartridge**  
C-100500-K  
for 1.6 gpf and 1.0 gpf units. Includes Duckbill and Screen.

**Flush Cartridge**  
C-100501-K  
for 1.28 gpf units. Includes Duckbill and Screen.

**Flush Cartridge**  
C-100502-K  
Only fits Kohler K-3597  
XXXXX-C01-XXXX serial number. Includes Duckbill and Screen.

**Upper Supply**  
BU100505-K  
Used on all Series

**Duckbill Valve**  
B-108288-BK  
Used on all Series  
24 pack

**Push Button**  
DP400999-1\*\*  
Used on all Series Push Button Models



**Universal Tank Bowl Gasket**  
E-205288  
Used on all two piece toilets\*



\* Except two piece Mansfield toilets  
\*\* Replaces DP500999-1