

# Submittal Package

**viega**



**Viega Visign® for Style 10 Flush Plates for Eco Plus® WC Carriers**  
**Part numbers 54635, 54710, 54715, 54720**

## Architect / Engineer Approval

Job Name: \_\_\_\_\_

Date: \_\_\_\_\_

Quantity: \_\_\_\_\_

Architect: \_\_\_\_\_

Engineer: \_\_\_\_\_

# Submittal Package

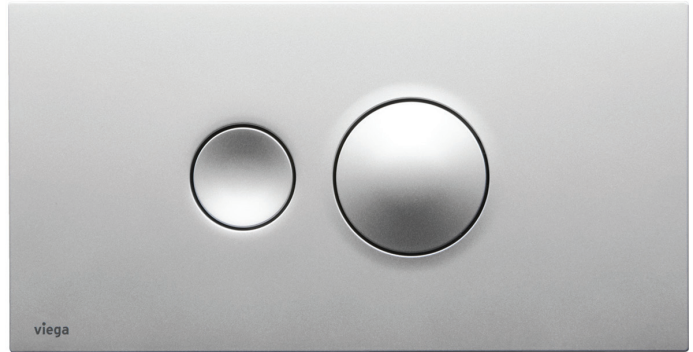
viEGA

## Viega Visign® for Style 10 Flush Plates for Eco Plus® WC Carriers Part numbers 54635, 54710, 54715, 54720

Viega Visign for Style 10 flush plates are attractive and functional. The differently arched flush plate buttons for two volume flushing are easy to use.

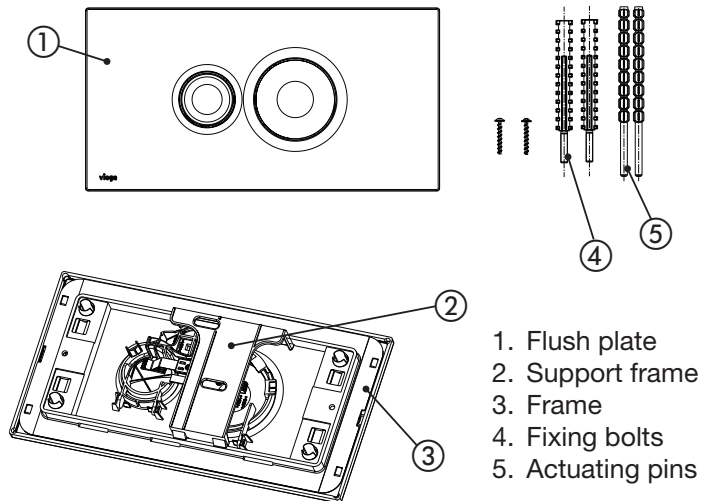
### Compatible with these carriers:

- 52700 1.6/1.1 gpf 2x6 carrier
- 52710 1.6/0.8 gpf 2x4 carrier
- 52711 1.2/0.7 gpf 2x6 carrier
- 52712 1.2/0.7 gpf 2x4 carrier



### Accessories:

Flush mount installation frame (part number 54935).



1. Flush plate
2. Support frame
3. Frame
4. Fixing bolts
5. Actuating pins

# Submittal Package

**viega**



Name	Dimensions	Features and Components	Part No.	Material and Finish
Viega Visign for Style 10		<b>Components:</b> See figure above for all components	54635	<b>Cover Plate:</b> Plastic and Black  <b>Actuator:</b> Plastic and Black
			54710	<b>Cover Plate:</b> Plastic and White  <b>Actuator:</b> Plastic and White
			54715	<b>Cover Plate:</b> Plastic and Chrome  <b>Actuator:</b> Plastic and Chrome
			54720	<b>Cover Plate:</b> Plastic and Matte Chrome  <b>Actuator:</b> Plastic and Matte Chrome



((Products marked with  comply with the American Disabilities Act (ADA) when installed per the requirements of the latest ADA Accessibility Guidelines (ADAAG) and/or ICC/ANSI A117.1))

Viega products are designed to be installed by licensed and trained plumbing and mechanical professionals who are familiar with Viega products and their installation. **Installation by non-professionals may void Viega LLC's warranty.**

This document is subject to updates. For the most current Viega technical literature please visit [www.viega.us](http://www.viega.us).

**Viega LLC • 585 Interlocken Blvd. • Broomfield, CO 80021 • Phone (800) 976-9819 • [www.viega.us](http://www.viega.us)**