

Flush plate Visign for Style 12
Instructions for Use



for concealed cistern 2H, concealed cistern 2L, concealed cistern 2C

Model
8332.1

Year built:
from 09/2007

en_INT



Table of contents

1	About these instructions for use	4
1.1	Target groups	4
1.2	Labelling of notes	4
1.3	About this translated version	5
2	Product information	6
2.1	Intended use	6
2.1.1	Areas of use	6
2.2	Product description	7
2.2.1	Overview	7
2.2.2	Technical data	7
3	Handling	8
3.1	Assembly information	8
3.1.1	Required material and tools	8
3.2	Assembly	8
3.2.1	Prepare cistern	8
3.2.2	Mount flush actuation	14
3.2.3	Mounting the flush plate	15
3.3	Commissioning	16
3.3.1	Setting the flush	16
3.4	Error, faults and remedy	17
3.5	Care and maintenance	17
3.5.1	Maintenance tips	17
3.6	Disposal	17

1 About these instructions for use

Trade mark rights exist for this document, further information can be found at www.viega.com/legal-notice.

1.1 Target groups

The information in this instruction manual is directed at the following groups of people:

- Heating and sanitary professionals and trained personnel
- Consumers

It is not permitted for individuals without the abovementioned training or qualification to mount, install and, if required, service this product. This restriction does not extend to possible operating instructions.

The installation of Viega products must take place in accordance with the general rules of engineering and the Viega instructions for use.

1.2 Labelling of notes

Warning and advisory texts are set aside from the remainder of the text and are labelled with the relevant pictographs.



DANGER!

This symbol warns against possible life-threatening injury.



WARNING!

This symbol warns against possible serious injury.



CAUTION!

This symbol warns against possible injury.



NOTICE!

This symbol warns against possible damage to property.



Notes give you additional helpful tips.

1.3 About this translated version

This instruction for use contains important information about the choice of product or system, assembly and commissioning as well as intended use and, if required, maintenance measures. The information about the products, their properties and application technology are based on the current standards in Europe (e. g. EN) and/or in Germany (e. g. DIN/DVGW).

Some passages in the text may refer to technical codes in Europe/Germany. These should serve as recommendations in the absence of corresponding national regulations. The pertinent national laws, standards, regulations and guidelines, as well as other technical guidelines, have priority over German/European guidelines in this manual: The information is not binding for other countries and territories and should, as mentioned, be considered as support.

2 Product information

2.1 Intended use

2.1.1 Areas of use

Suitable cisterns

The flush plate is intended for the actuation of flushes on Viega concealed cisterns.

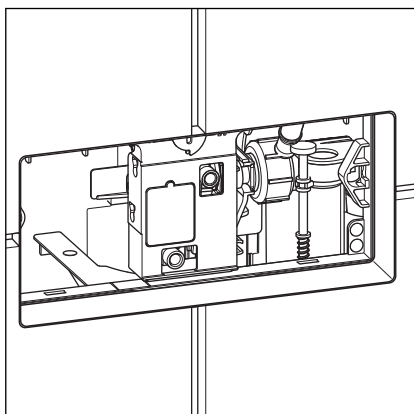
Installation is only possible in the following Viega concealed cisterns:

- Cistern model 2H
- Cistern model 2L

Ascertain which model is installed before mounting. The following information will help you to determine the model of the cistern installed:

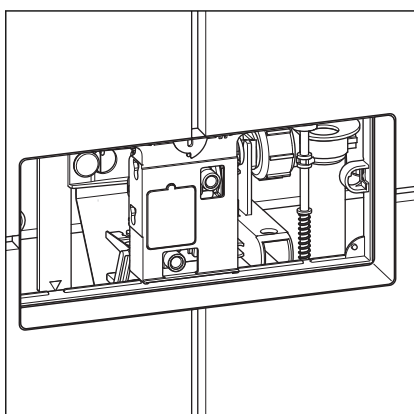
Cistern 2H

The revision shaft of this cistern is found at a height of approx. 1 metre on the front.



Cistern 2L

The revision shaft of this cistern is either found at a height of approx. 75 cm on the front or on the top.



2.2 Product description

2.2.1 Overview

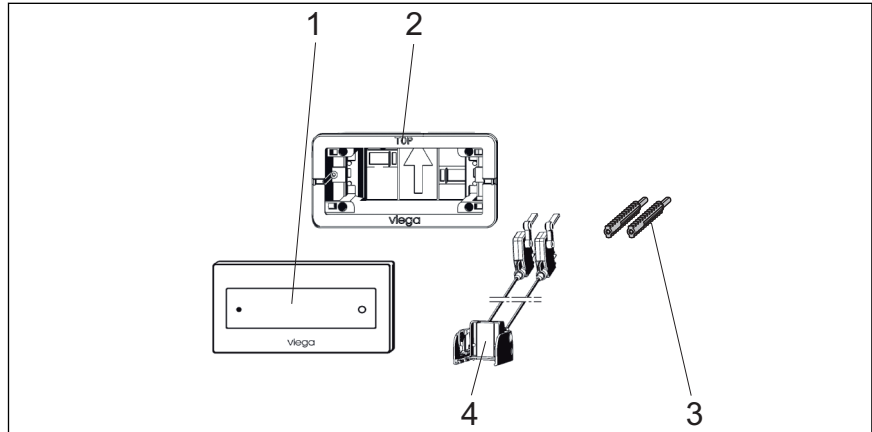


Fig. 1: Component overview

- 1 - flush plate
- 2 - basic panel
- 3 - threaded bolt
- 4 - Bowden cable unit

2.2.2 Technical data

The product exhibits the following technical data:

Flush volume

The flush volume for the flushes are:

- Small flush volume: approx. 3–4 litres
- Large flush volume: approx. 6–9 litres

For the setting of the flush see [↗ Chapter 3.3.1 „Setting the flush“ on page 16.](#)

3 Handling

3.1 Assembly information

3.1.1 Required material and tools

Tool

The following tools are required for mounting:

- flat screwdriver
- knife (cutter)

3.2 Assembly

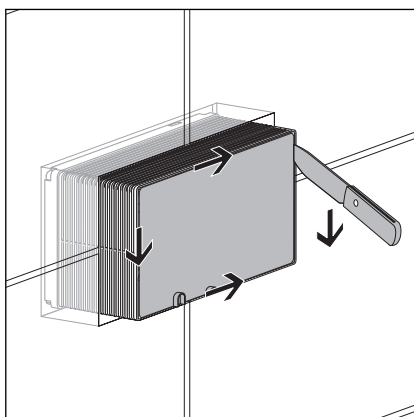
3.2.1 Prepare cistern



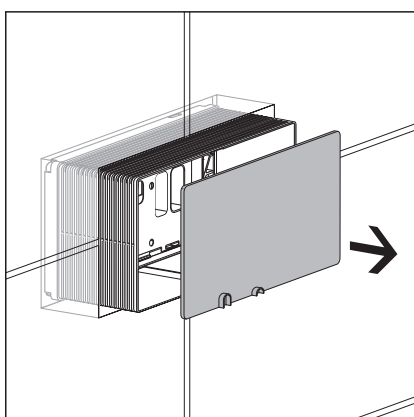
The following work stages and diagrams differ depending on the cistern being used. The relevant steps are marked accordingly.

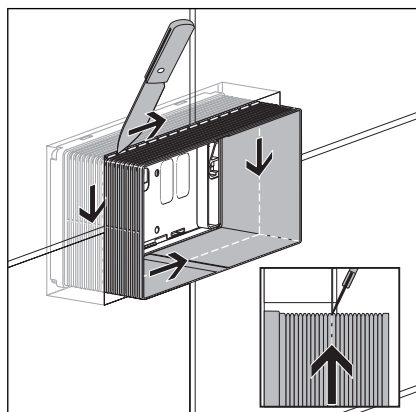
Requirements:

- The cistern is fitted into the front wall.
- The front wall is tiled.
- Cut into shaft cover.

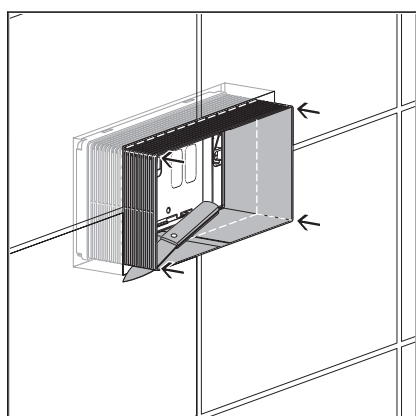


- Remove shaft cover.

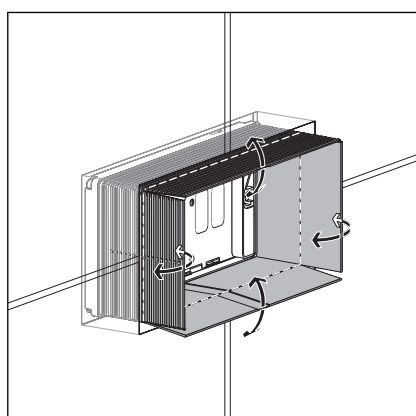




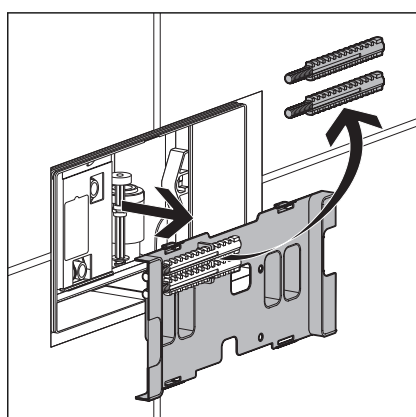
- Score the revision shaft along the edge of the tiles with a knife.
Angle the knife to do this so that the cut is made flush to the surface of the wall.



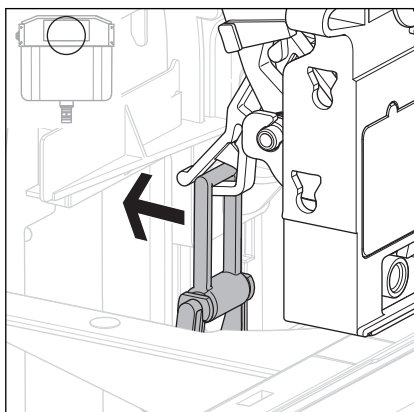
- Cut the corners of the revision shaft vertically through to the wall surface.



- Bend out and pull down the sides of the revision shaft.
The edge of the revisions shaft must be flush with the wall surface.

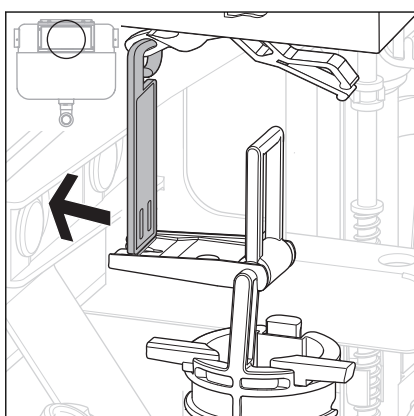


- Remove cistern cover.
- Remove and keep the threaded bolts from the cistern cover.
- Dispose of cistern cover.



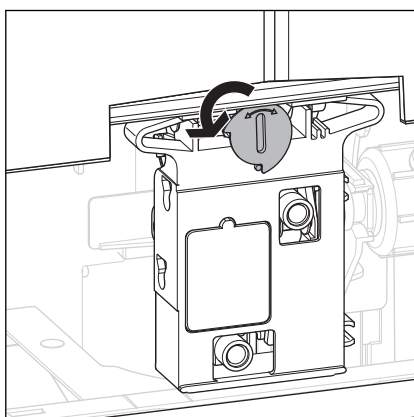
INFO! Only for assembly of the flush plate in cistern 2H or on the front of cistern 2L.

- Press the bow backwards from the mounting of the mechanism.

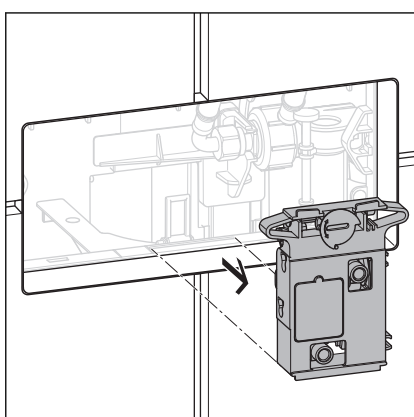


INFO! Only for assembly of the flush plate on the top of cistern 2L.

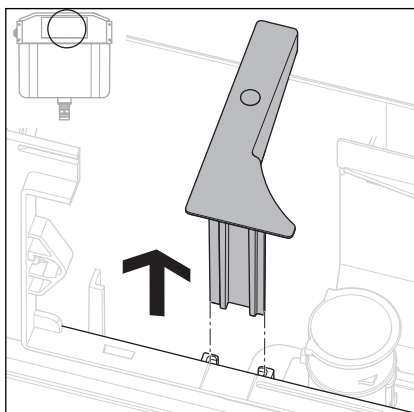
- Press the bow backwards from the mounting of the mechanism.



- Turn the mechanism's lock by 90° in an anti-clockwise direction.
 - ⇒ The mechanism is unlocked and can be removed.

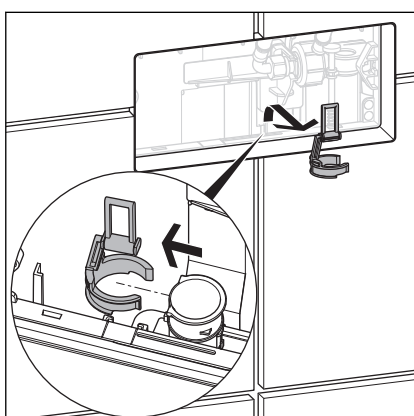


- Remove and dispose of mechanism.



INFO! Only with the cistern 2H.

- Remove and keep spacer.

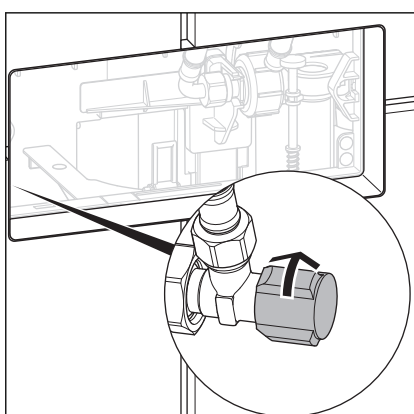


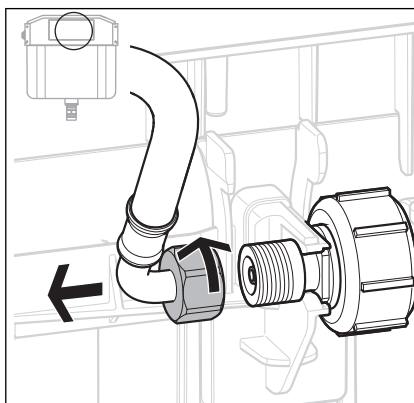
- Remove and dispose of the bow from the drain valve.

Flush pipelines (cistern 2H)

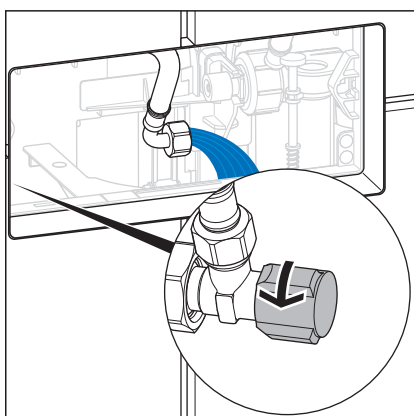
Requirements:

- The revision shaft is shortened in such a way that it is flush with the surface.
- Mechanism, bow and spacer are removed.
- Close corner valve.



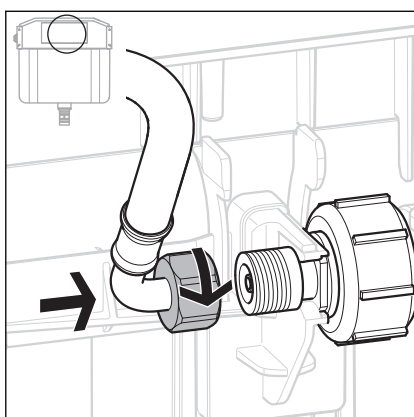


Loosen flexible hose on the filling valve (SW 19).

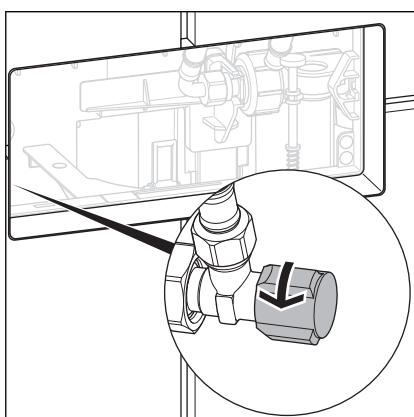


Open the corner valve for a few seconds to rinse the pipe.

Re-close corner valve.



Connect the flexible hose onto the filling valve (SW 19).

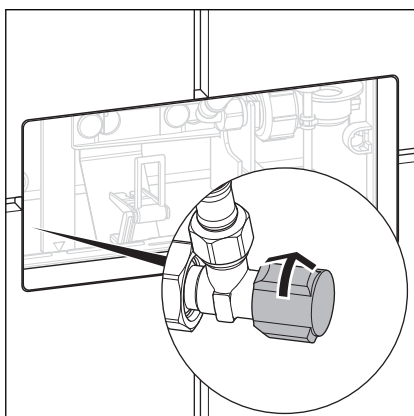


Open corner valve.

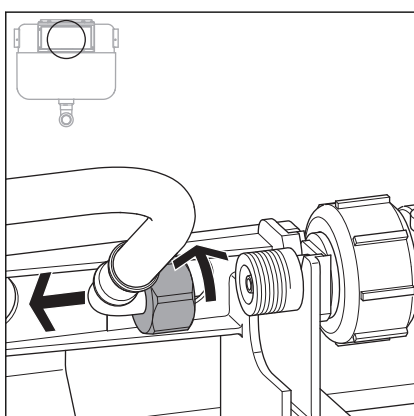
Flush pipelines (cistern 2L)

Requirements:

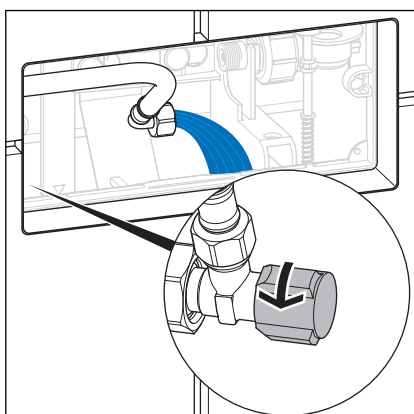
- The revision shaft is shortened in such a way that it is flush with the upper edge of the tiles.
- Mechanism and bow have been removed.
- Close corner valve.

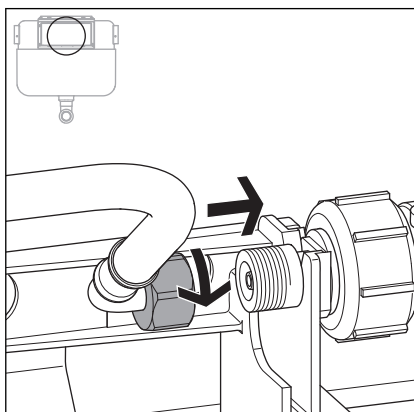


- Loosen flexible hose on the filling valve (SW 19).

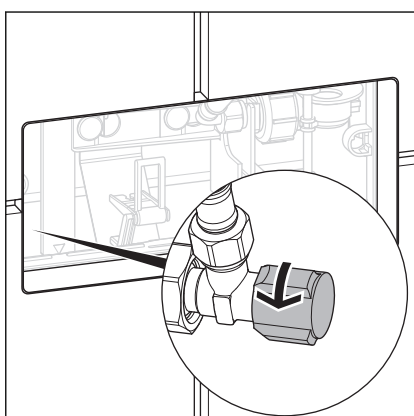


- Open the corner valve for a few seconds to rinse the pipe.
- Re-close corner valve.





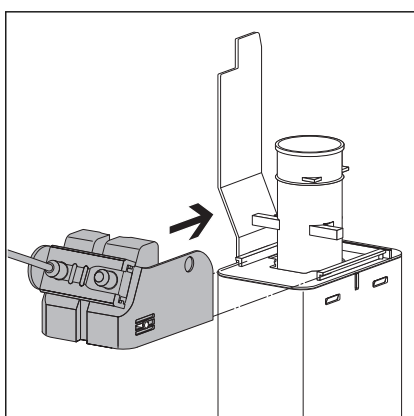
- Connect the flexible hose onto the filling valve.



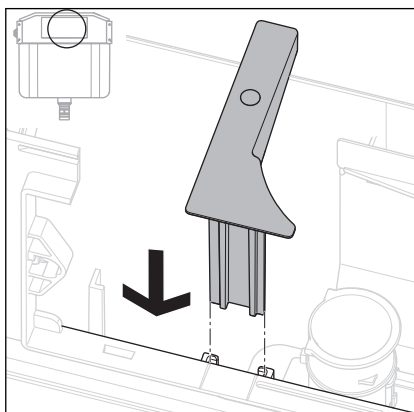
- Open corner valve.

3.2.2 Mount flush actuation

Mount Bowden cable unit



- Push the Bowden cable unit onto the drain valve from the left.
The Bowden cable unit must be felt to click into place on the drain valve.



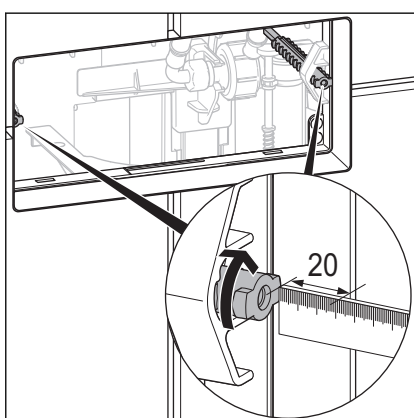
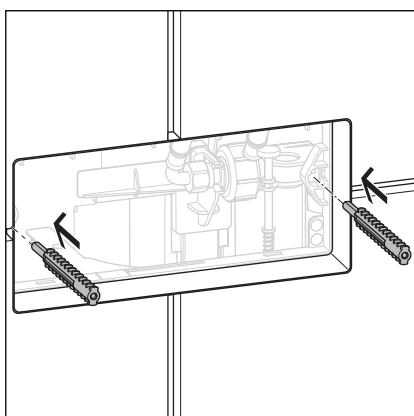
INFO! Only with the cistern 2H.

- Insert spacer.

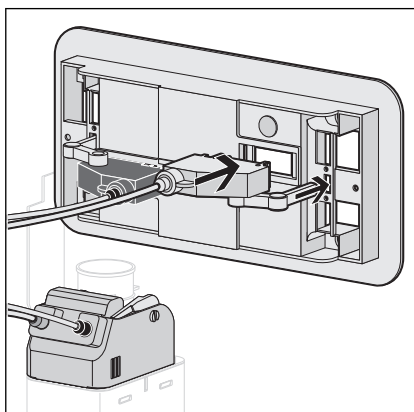
3.2.3 Mounting the flush plate

Requirements:

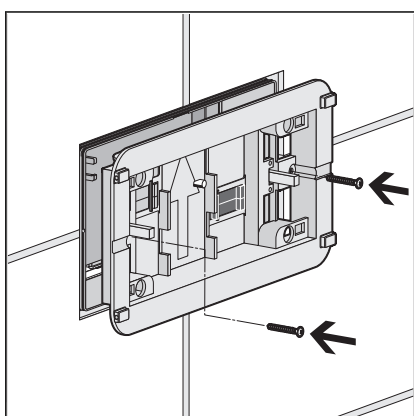
- The flush actuation has been mounted.
- Insert the threaded bolts left and right into the holders.
The threaded anchors must be positioned to the top and bottom.



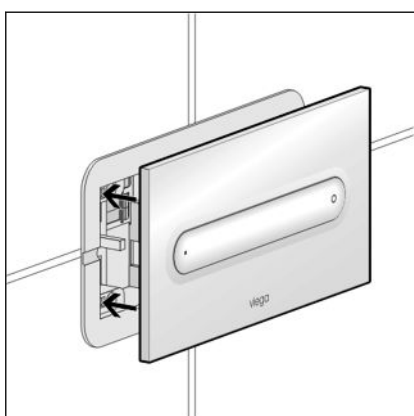
- Insert the threaded bolts so deeply that the upper edge of the threaded bolt sticks out approx. 20 mm behind the upper edge of the tiles.
- Fasten threaded bolts with a 90° turn.



- Mount Bowden cable unit onto the rear side of the basic panel.
INFO! Observe the colour of the adapter!



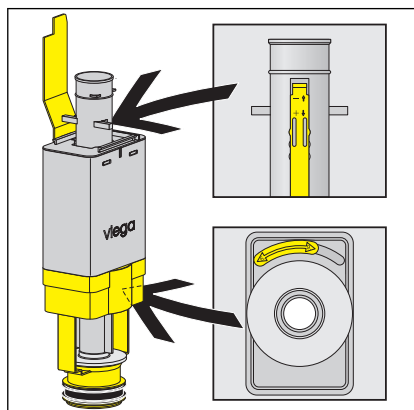
- Screw on basic panel.



- Mount flush plate.
INFO! The figure shows model 8331.1 as an example.

3.3 Commissioning

3.3.1 Setting the flush



- Set the flush volume on the drain valve of the cistern.
 Small flush volume (above): approx. 3–4 litres
 Large flush volume (below): approx. 6–9 litres

3.4 Error, faults and remedy

Error	Cause	Remedy
WC does not flush	Cistern is not yet completely full	Wait until the cistern is sufficiently full
	No water in cistern, corner valve is closed	Open corner valve
WC flush runs through	Dirty seal in filling valve	Check seal, replace if necessary
	Dirty seal in drain valve	Check seal, replace if necessary
WC flush actuation does not work	Bowden cable unit not properly mounted on drain valve or basic panel.	Check the position of the Bowden cable unit.

3.5 Care and maintenance

3.5.1 Maintenance tips

Normal soap or a mild cleaning agent can be used for regular care and prevention of lime scale on the flush plate. Under no circumstances should scouring agent or scratching objects be used.

Strong stains can be removed using typical household cleaner. Rinse the detergent thoroughly with clear water after the prescribed exposure time. There should be no residue on the components.

3.6 Disposal

Separate the product and packaging materials (e. g. paper, metal, plastic or non-ferrous metals) and dispose of in accordance with valid national legal requirements.