

PRODUCT SPECIFICATIONS

Elkay Quartz Classic[®] 33" x 18-1/2" x 9-1/2", Equal Double Bowl Undermount Sink. Sink is molded with up to 80% natural quartz and high performance acrylic resins that are non-porous providing superior heat, scratch, fade and stain resistance. Naturally sound deadening and Rear Center drain placement.



| | |
|------------------------------|--|
| Installation Type: | Undermount |
| Material: | Quartz |
| Finish: | Bisque (BQ), Black (BK), Dusk Gray (GY), Greige (GR), Greystone (GS), Mocha (MC), Pecan (PC), Putty (PT), White (WH) |
| Number of Bowls: | 2 |
| Sink Dimensions: | 33" x 18-1/2" x 9-1/2" |
| Bowl 1 Dimensions: | 14-1/4" x 16-3/16" x 9-1/2" |
| Bowl 2 Dimensions: | 14-1/4" x 16-3/16" x 9-1/2" |
| Drain Size: | 3-5/8" (92mm) |
| Drain Location: | Rear Center |
| Minimum Cabinet Size: | 36" |
| Mounting Hardware: | Part # 54300408 included |
| Template Included: | Yes |
| Cutout Template #: | 1000003496 |

Template is available for download at [elkay.com](#)

Special Note: Two different templates are available depending on the mounting feature. Please reference the spec sheet if more details are needed.



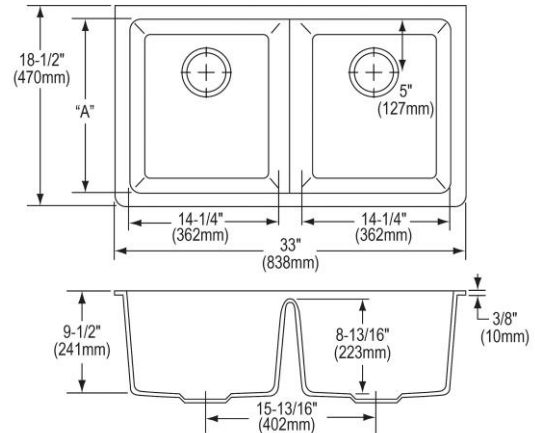
AMERICAN PRIDE. A LIFETIME TRADITION.
Like your family, the Elkay family has values and traditions that endure. For almost a century, Elkay has been a family-owned and operated company, providing thousands of jobs that support our families and communities.

Product Compliance: CSA B45.5/IAPMO Z124



Sinks are listed by IAPMO[®] as meeting the applicable requirements of the Uniform Plumbing Code[®], International Plumbing Code[®], and National Plumbing Code of Canada.

[Clean and Care Manual \(PDF\)](#)
[Installation Instructions \(PDF\)](#)
[Warranty \(PDF\)](#)



| Mounting Feature | Dimension "A" |
|------------------|------------------|
| Dual Hole | 16-3/16" (411mm) |
| Slot | 16-7/16" (418mm) |

PART: _____ QTY: _____

PROJECT: _____

CONTACT: _____

DATE: _____

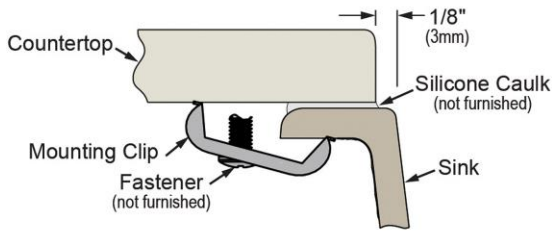
NOTES: _____

APPROVAL: _____

In keeping with our policy of continuing product improvement, Elkay reserves the right to change product specifications without notice. Please visit [elkay.com](#) for the most current version of Elkay product specification sheets. This specification describes an Elkay product with design, quality, and functional benefits to the user. When making a comparison of other producers' offerings, be certain these features are not overlooked.

Installation Profile:

UNDERMOUNT - 1/8" REVEAL



Designed to affix to the underside of any solid surface countertop.

OPTIONAL ACCESSORIES

| | |
|------------------------|----------------------|
| Bottom Grid: | LKOBG1516SS |
| Cutting Board: | LKCBEG1516HW |
| Drain: | LKQS35, LKQD35, LK99 |
| Faucet: | LK6000CR, LKEC2031 |
| Rinsing Basket: | LKWRB1516SS |
| Soap Dispenser: | LKGT1054 |

In keeping with our policy of continuing product improvement, Elkay reserves the right to change product specifications without notice. Please visit elkay.com for the most current version of Elkay product specification sheets. This specification describes an Elkay product with design, quality, and functional benefits to the user. When making a comparison of other producers' offerings, be certain these features are not overlooked.