

### PRODUCT SPECIFICATIONS

Dayton Stainless Steel 15" x 15" x 5-3/16", Single Bowl Top Mount Bar Sink + Faucet Kit. Sink is manufactured from 23 gauge 300 series Stainless Steel with a Satin finish, Center drain placement, and Bottom only pads.

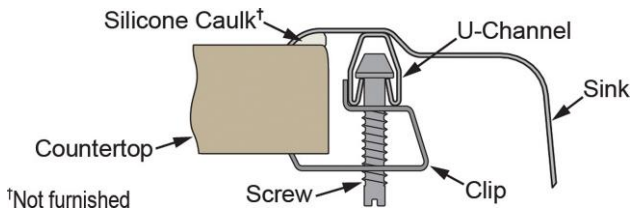
|                              |  |
|------------------------------|--|
| <b>Installation Type:</b>    | Top Mount  |
| <b>Material:</b>             | 300 series Stainless Steel                                       |
| <b>Finish:</b>               | Satin  |
| <b>Gauge:</b>                | 23   |
| <b>Sound Deadening:</b>      | Bottom only pads   |
| <b>Number of Bowls:</b>      | 1  |
| <b>Sink Dimensions:</b>      | 15" x 15" x 5-3/16"  |
| <b>Bowl 1 Dimensions:</b>    | 12" x 10" x 5"   |
| <b>Drain Size:</b>           | 2" (51mm)  |
| <b>Drain Location:</b>       | Center   |
| <b>Minimum Cabinet Size:</b> | 18"  |
| <b>Mounting Hardware:</b>    | Part # 64090004 included for countertops up to 3/4" (19mm) thick |
| <b>Cutout Template #:</b>    | <a href="#">1000001240</a>                                       |

Template is available for download at [elkay.com](#)

#### Cutout Dimensions for Top Mount Installation:

14-3/8" x 14-3/8" (365mm x 365mm) with 1-1/2" (38mm) corner radius

#### Installation Profile:



### OPTIONAL ACCESSORIES

|                  |              |
|------------------|--------------|
| <b>Hardware:</b> | LK364, LK463 |
| <b>Sinkmate:</b> | LKSMHSL      |



**Included with Product:** sink,  
LKA2475LF faucet,  
drain

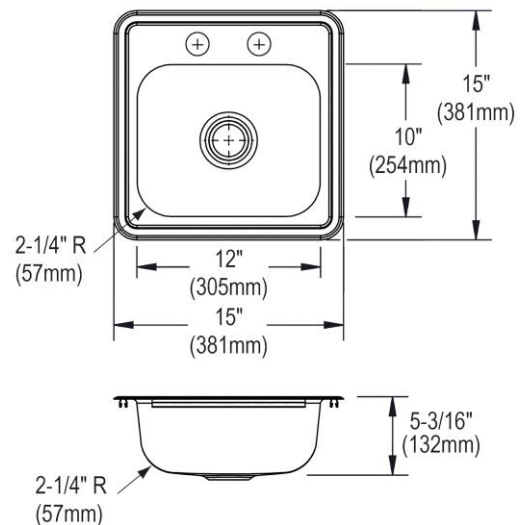
#### AMERICAN PRIDE. A LIFETIME TRADITION.

Like your family, the Elkay family has values and traditions that endure. For almost a century, Elkay has been a family-owned and operated company, providing thousands of jobs that support our families and communities.

**Product Compliance:** ASME A112.19.3/CSA B45.4  
Faucet: ASME A112.18.1/CSA B125.1  
NSF 61  
NSF 372 (lead free)  
Accessory: ASME A112.18.2/CSA B125.2

[Clean and Care Manual \(PDF\)](#)  
[Installation Instructions \(PDF\)](#)  
[Limited Lifetime Warranty \(PDF\)](#)

1-1/4" (32mm) Diameter Faucet Holes on 4" (102mm) Centers



PART: \_\_\_\_\_ QTY: \_\_\_\_\_

PROJECT: \_\_\_\_\_

CONTACT: \_\_\_\_\_

DATE: \_\_\_\_\_

NOTES: \_\_\_\_\_

APPROVAL: \_\_\_\_\_

In keeping with our policy of continuing product improvement, Elkay reserves the right to change product specifications without notice. Please visit [elkay.com](#) for the most current version of Elkay product specification sheets. This specification describes an Elkay product with design, quality, and functional benefits to the user. When making a comparison of other producers' offerings, be certain these features are not overlooked.