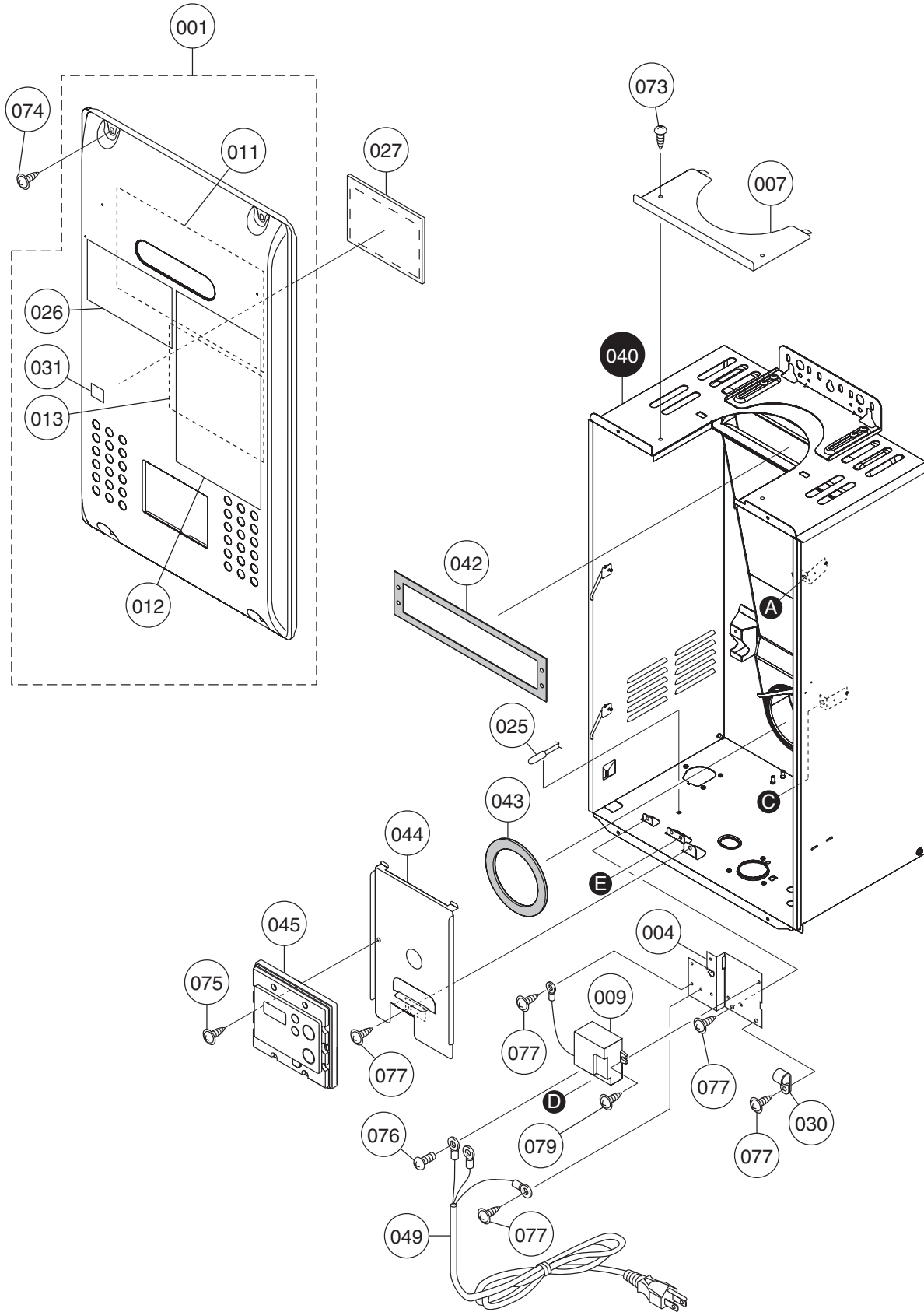
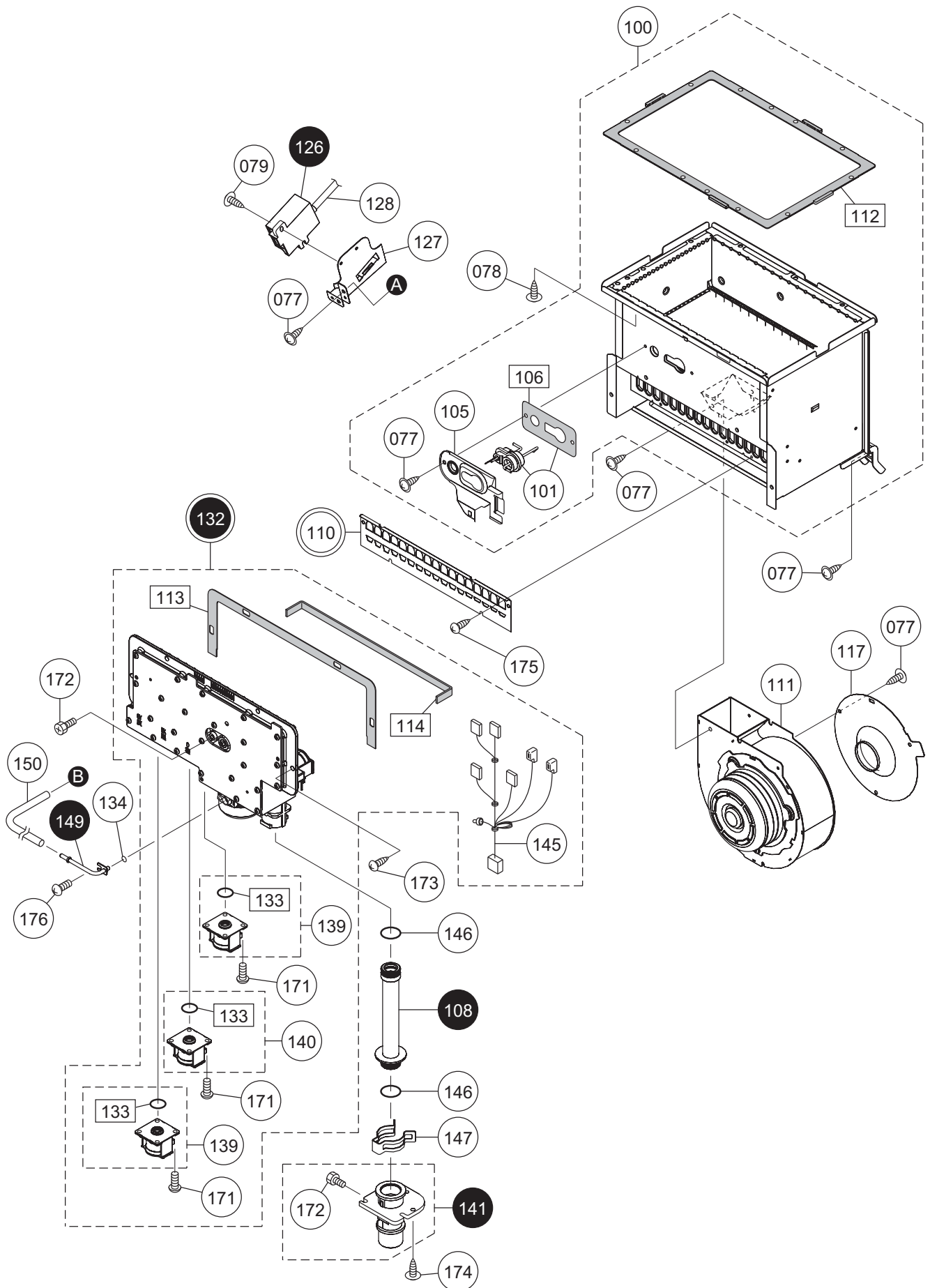


# External outfitting NR83-DVC





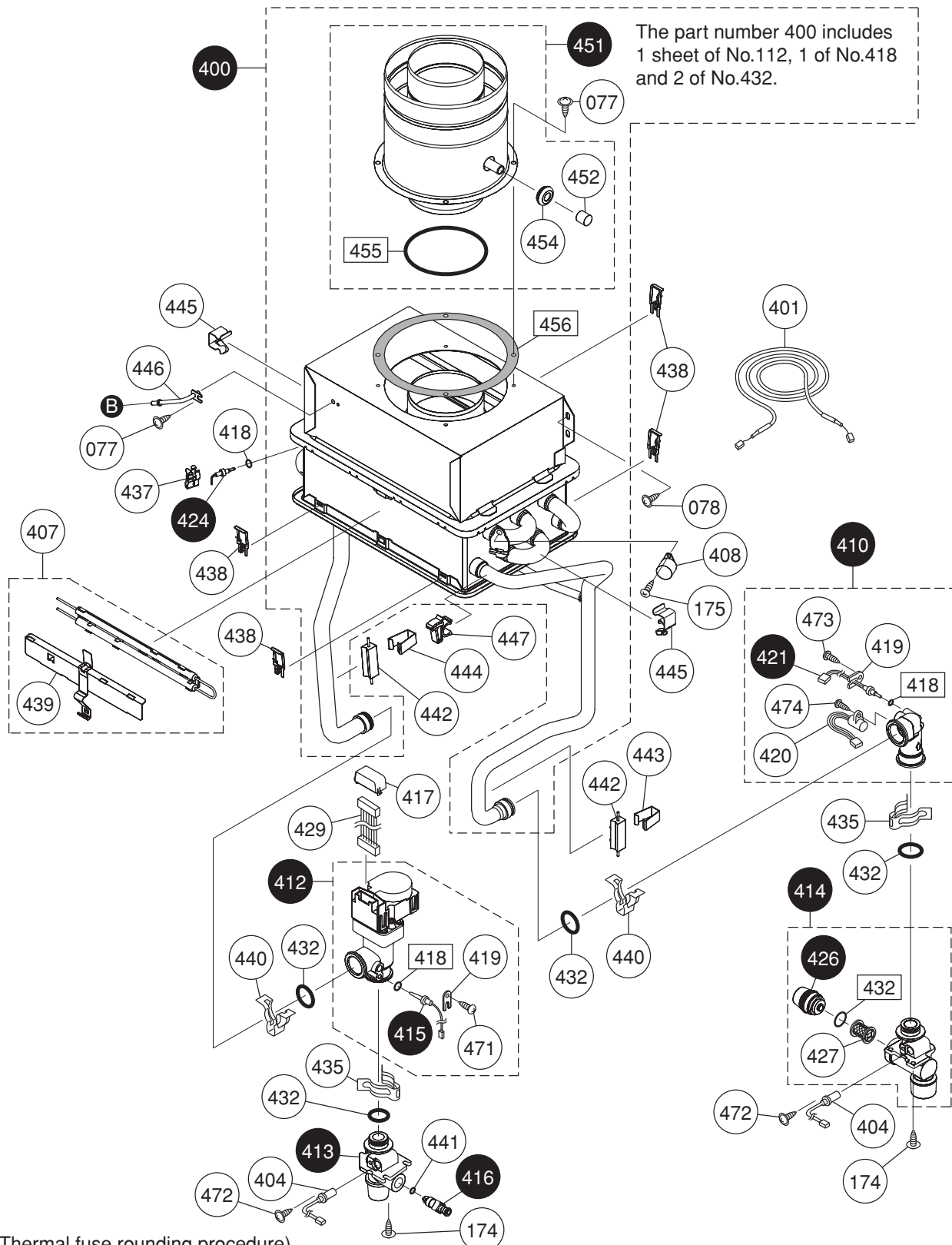
# Combustion unit and gas route NR83-DVC



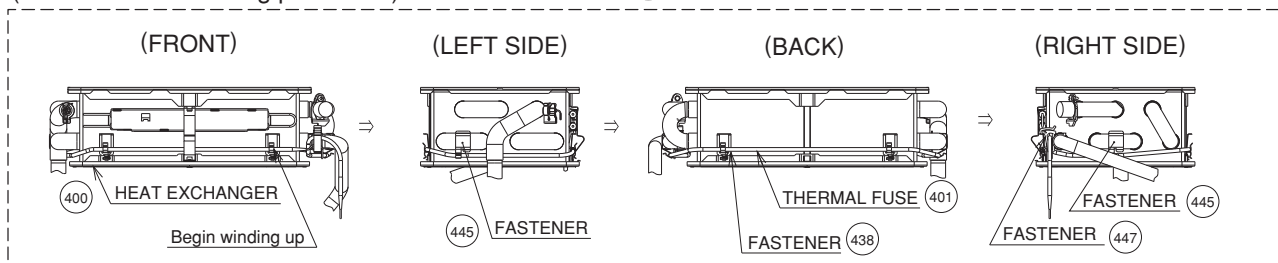
# Combustion unit and gas route NR83-DVC

Part Nos.	Part Names	Order Nos.	Q'ty/unit
100	Combustion tube set ERD SET-V	SKG7314	1
101	Ignition plug set ESS SET-V	SKG7311	1
105	Mounting plate for plug set Q EGL	EGLC014	1
106	Plug packing Q EHK	EHKL001	1
108	Gas pipe ERD	ERDE021	1
110	Main damper 17-11 EFW	EFWC031	1<LP>
	Main damper 17-12 EFW	EFWC032	1<NG>
111	Fan motor110 ERD SET-AS	SKG7342	1
112	Suction air joint packing ERD	ERDL011	1
113	Manifold joint packing top ERD	ERDL007	1
114	Manifold joint packing bottom ERD	ERDL009	1
117	Bell-mouth ERD	ERDC006	1
126	Igniter ERD	ERDJ012	1
127	Mounting plate for igniter DTJ	DTJA015	1
128	High-voltage cord 470	SAC1229	1
132	Gas mech. manifold 14ERD SET-AS	SKG7339	1<LP>
	Gas mech. manifold 22ERD SET-AS	SKG7340	1<NG>
133	O-ring JASO 2030 type 1	SAA6044	3
134	O-ring P4	2100908	1
139	Solenoid S09 ERC SET-V	SKG7315	2
140	Solenoid S06 ERC SET-V	SKG7316	1
141	Gas fitting 20A SET ELV	ELVE021	1
145	Conduit R10 ERD	ERDJ015	1
146	O-ring P18	2110903	2
147	Quick fastener 16B	6340407	1
149	Feedback pipe S EHK	EHKA046	1
150	Silicone tube ID3.5XT1 ELV	ELVL018	1
171	Cross recessed round-head SPAK machine screw with guide M4X12		
172	Cross recessed hexagon head machine screw M4X8		
173	Cross recessed round-head type3 EVERTIGHT tapping screw 5X16		
174	Cross recessed round-head collar type3 EVERTIGHT tapping screw 4X12		
175	Cross recessed round-head N-tapping screw 4X8		
176	Cross recessed round-head P TIGHT screw 4X6		

# Hot-water feed route NR83-DVC



(Thermal fuse rounding procedure)

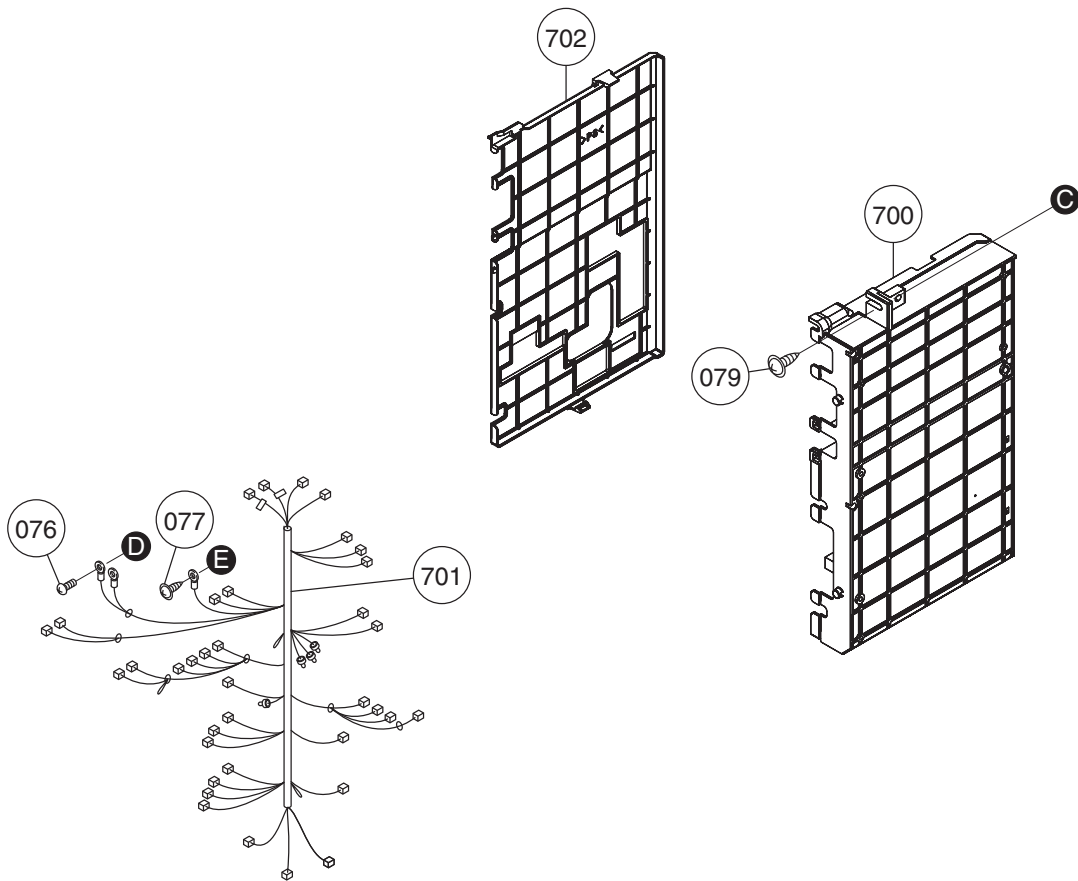


# Hot-water feed route NR83-DVC

Part Nos.	Part Names	Order Nos.	Q'ty/unit
400	Heat exchanger & Exhaust box FFAERDSAS OPK	SKG7334	1
401	Thermal fuse DTX flier ERD SET-V	SKG7347	1
404	Freeze preventive heater 3 ERD	ERDH003	2
407	Freeze preventive heater Q ERD SET-V	SKG7317	1
408	Remaining flame safety device 94 ELV	ELVH002	1
410	Water flow sensor set ERD	ERDD011	1
412	Water flow servo set JDW	JDWD001	1
413	Hot-water outlet fitting 20A EHU	EHUD004	1
414	Water inlet fitting 20A set EHV	EHVD001	1
415	Hot-water thermistor-300 BWC	BWCD096	1
416	Drain cock CRU	CRUD003	1
417	Waterproof cover EBT	EBTD023	1
418	Chlorinated water-resistant O-ring P4	1323709	3
419	Thermistor holding plate ALS	ALSD088	2
420	Water outlet magnetic sensor BWC	BWCD090	1
421	Water inlet thermistor-300 BWC	BWCD097	1
424	Heat exchanger thermistor-300 BWC	BWCD098	1
426	Water filter cover DTJ	DTJD006	1
427	Water filter (SUS) EGB	EGBD032	1
429	Conduit R86 JBG	JBGJ024	1
432	Chlorinated water-resistant O-ring P16	3223302	5
435	Quick fastener 16A	6340300	2
437	Sensor fastener CRU	CRUD055	1
438	Thermal fuse fastener EGL	EGLH002	4
439	Heater fastener set ERD	ERDH011	1
440	Quick fastener 16-25	SAD6593	2
441	Hot-water resistant O-ring P3	SAD6633	1
442	Freeze preventive heater 2 ERD	ERDH002	2
443	Heater fastener M AJB	AJBL002	1
444	Heater fastener L AMM	AMML001	1
445	Thermal fuse fastener for16 CMN	CMNH003	2
446	Feedback pipe S EHK	EHKA046	1
447	Harness clip 12.7	SAB2774	1
451	Intake/Exhaust pipe D FFA ELV	ELVF090	1
452	Drain pipe cover D FFA ELV	ELVF097	1
454	Pipe seal D FFA ELV	ELVF096	1
455	O-ring (φ80)D FFA ELV	ELVF098	1
456	Intake pipe packing ELV	ELVL019	1
471	Cross recessed round-head P TIGHT screw 4X10		
472	Cross & straight recessed truss type3 S TIGHT tapping screw 4X6		
473	Cross recessed round-head P TIGHT screw 4X14		
474	Cross recessed truss P TIGHT screw 4X10		

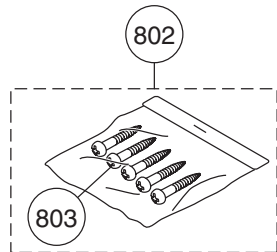
# Electronic control unit and Attached set NR83-DVC

## Electronic control unit



---

## Attached set



<Special part>

Special part	Special part no.
Owner's guide	888
Installation manual	889

