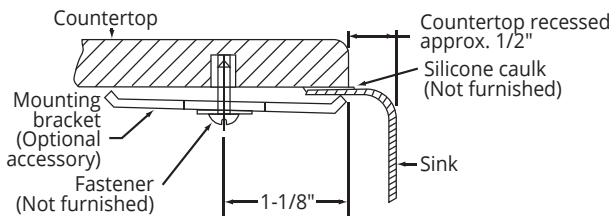


**Attention Installer:**

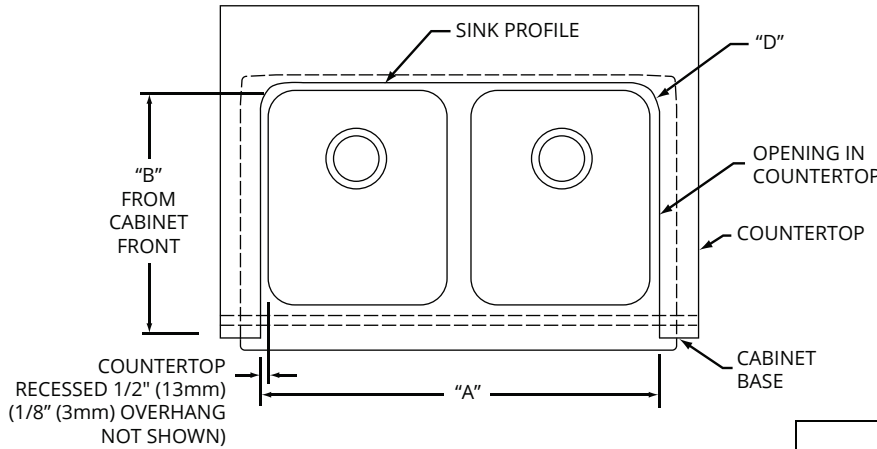
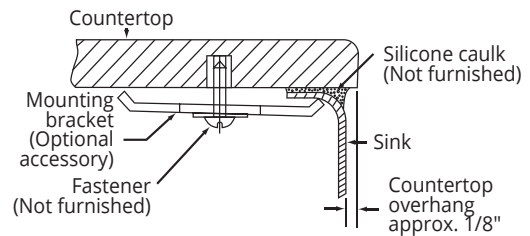
- Elkay recommends that undermount sinks be installed by a professional, experienced installer.
- Due to the custom nature of this type of installation, no cutout template is included. Elkay recommends providing the cabinet maker with the actual sink to be installed prior to the cabinet fabrication. It is recommended that the installer(s) discuss this with the customer and agree that this finished appearance is the desired effect. Elkay is not responsible for improper sink or countertop installations.
- Proper installation requires a coordinated effort including advanced dialog between the designer (or customer), the cabinet maker, the countertop fabricator, and the sink installer during the design and installation phase.
- Elkay undermount sinks should only be fastened to a solid surface countertop (i.e. granite / Corian<sup>®</sup>). Elkay recommends that the sink cutout and mounting holes be cut by the countertop fabricator prior to installation.
- Elkay is not responsible for the sink or countertop if damaged during installation.
- Metal edges may be sharp. Use caution when handling.
- Follow all local plumbing and building codes.
- Inspect sink for damage prior to beginning installation.

**Installation Profiles**

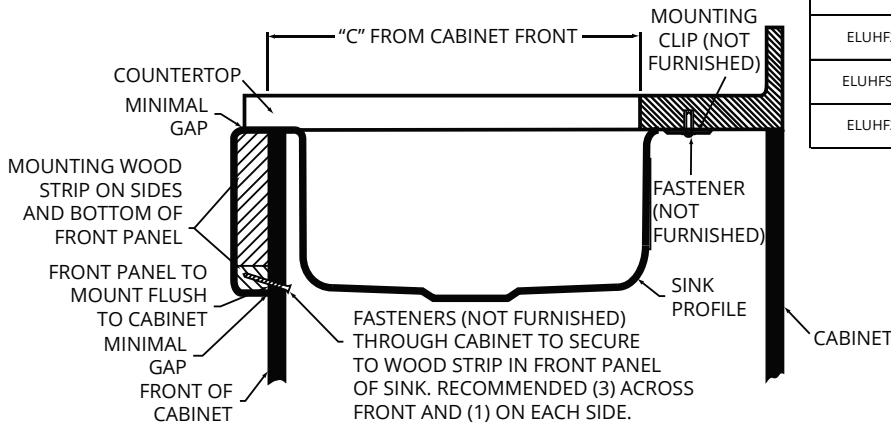
**1/2" Sink Rim Reveal Installation**



**1/8" No Reveal Installation**



MODEL	DIMENSIONS					
	A		B & C		D	
	REVEAL	OVERHANG	REVEAL	OVERHANG	REVEAL	OVERHANG
EAQDUHF3523L & R	33-1/16" (840mm)	31-13/16" (808mm)	20-3/4" (527mm)	20-1/8" (511mm)	4-7/8" (124mm)	4-1/4" (108mm)
ELUHF2520	22" (559mm)	21-3/8" (543mm)	17-7/8" (454mm)	17-1/4" (438mm)	2-1/4" (57mm)	1-5/8" (41mm)
ELUHFS2816	29" (737mm)	28-3/8" (721mm)	18-1/8" (460mm)	17-1/2" (445mm)	2-1/4" (57mm)	1-5/8" (41mm)
ELUHF3320	30" (762mm)	29-3/8" (746mm)	18-1/8" (460mm)	17-1/2" (445mm)	2-1/4" (57mm)	1-5/8" (41mm)



## Required Tools (not included)



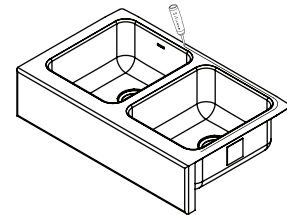
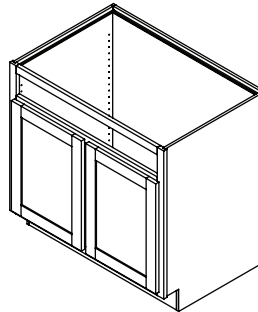
## Installation



**WARNING:** Always wear safety goggles and gloves when using power tools or handling the sink to prevent personal injury.

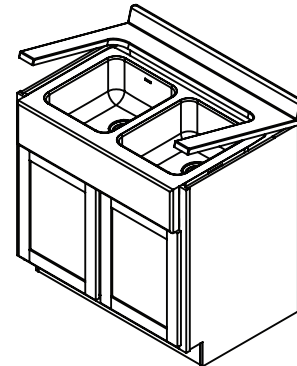
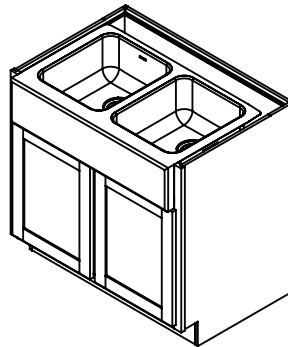
- 1** Remove the false drawer front from the base cabinet.

Apply silicone caulk (not included) evenly all around the top of the sink flanges.



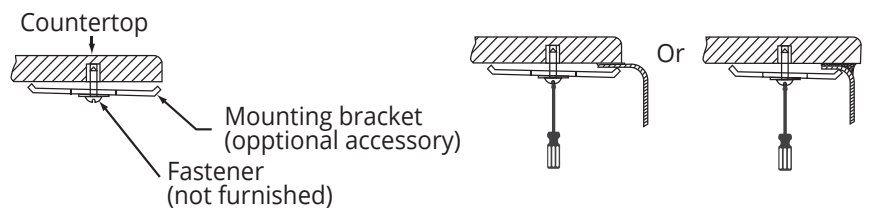
- 2** Position and align the sink in the cabinet. Support the sink in place from the bottom.

Lower the countertop into place on the cabinets. Press the silicone and flange up onto the countertop.



- 3** From the underside, fasten the mounting brackets loosely into the pre-drilled mounting holes in the countertop.

Lightly tighten the fasteners with a screwdriver until the sink is snug against the countertop.



- 4** Check alignment of the sink to the countertop opening and then tighten the fasteners until the sink is tight against the countertop. Do not over tighten.

Wipe away any excess caulk with a rag.

