

### PRODUCT SPECIFICATIONS

Elkay's self-contained, Touchless handwashing station. Includes touchless electronic faucet, touchless soap and touchless towel dispensers. On-demand water heater, 5 gallon fresh water tank and 6 gallon waste water tank conveniently contained within the mobile cabinet.

<b>Faucet*:</b>	Elkay Commercial Electronic Faucet Model LKB737C, Sensor Activated with auto shut off
<b>Flow Rate:</b>	0.5 GPM
<b>Cabinet Dimensions:</b>	24" x 24" x 62"
<b>Hand Sink:</b>	Stainless Steel 10" X 12" X 6" deep
<b>Water Heater Electrical Rating:</b>	120 VAC 1500 Watts 20A Dedicated Outlet
<b>On Demand Hot Water:</b>	65 to 145 Degrees F
<b>Mixing Valve:</b>	Manual mixing valve
<b>Fresh Water Capacity:</b>	5 Gallon Removable Plastic Tank
<b>Wastewater Capacity:</b>	6 Gallon Removable Plastic Tank
<b>Soap Dispenser*:</b>	Sensor activated, touchless operation, Battery operated. Accepts 1200mL bag refill cartridges
<b>Towel Dispenser*:</b>	Sensor activated, touchless operation, battery operated
<b>Steel Type:</b>	301 Stainless Steel Construction
<b>Features:</b>	Two locking and two non-locking 5 inch casters, handles for moving cabinet and hinged door with locking latch for internal access



**Special Note:** \* To order towel and soap refills, register with Staples at <https://go.staples.com/ElkayRefills.html>.

#### Patent Pending

- **Sanitary:** All touchless. No need to make contact to activate soap, faucet or towels. Stainless steel cabinet is hygienic, easy to clean and sanitize.
- **Portable:** Can be positioned anywhere hand washing is needed.
- **Durable:** All welded stainless steel construction.

AMERICAN PRIDE. A LIFETIME TRADITION.

Like your family, the Elkay family has values and traditions that endure. For almost a century, Elkay has been a family-owned and operated company, providing thousands of jobs that support our families and communities.



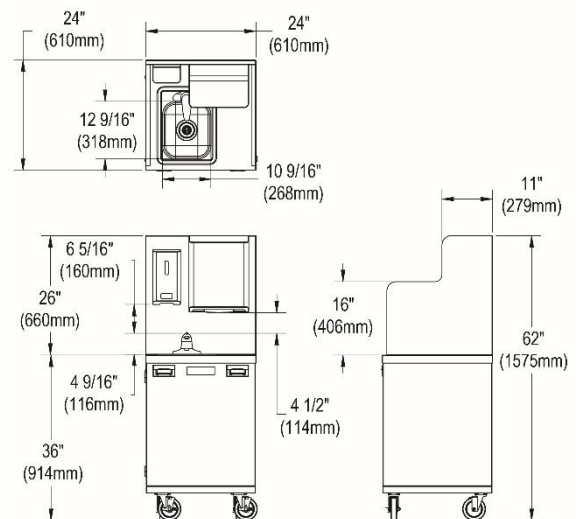
**Product Compliance:** NSF/ANSI 169



[Clean and Care Manual \(PDF\)](#)  
[Installation Instructions \(PDF\)](#)  
[Warranty \(PDF\)](#)



Internal Cabinet View



PART: \_\_\_\_\_ QTY: \_\_\_\_\_  
 PROJECT: \_\_\_\_\_  
 CONTACT: \_\_\_\_\_  
 DATE: \_\_\_\_\_  
 NOTES: \_\_\_\_\_  
 APPROVAL: \_\_\_\_\_

In keeping with our policy of continuing product improvement, Elkay reserves the right to change product specifications without notice. Please visit [elkay.com](http://elkay.com) for the most current version of Elkay product specification sheets. This specification an Elkay product with design, quality, and functional benefits to the user. When making a comparison of other producers' offerings, be certain these features are not overlooked.