

## DESCRIPTION

- Brass Construction
- 1/4 turn stops on each inlet
- Available with 1/2" CC/IPS, PEX, Cold Expansion PEX
- Transfer valve outlets match inlet connection type
- No tub outlet
- 3 Function / 6 Function transfer valve

## OPERATION

- Supplied Flush Plug allows testing up to 200 PSI with air (300 PSI water)
- Installation in thin or thick wall applications
- The valve is factory set for 2 showering devices but can be adjusted to accommodate 3 showering devices
- Functionality: 2 independent / 1 shared or 3 independent / 3 shared

## CARTRIDGE

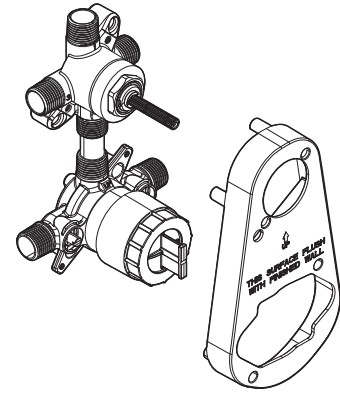
- Mixing Cartridge is supplied in the M-CORE 3-Series trim kit
- Includes 3 function / 6 function ceramic disk cartridge for transfer valve

## STANDARDS

- Third party certified to meet ASME A112.18.1/CSA B125.1, and all applicable requirements referenced therein

## WARRANTY

- Lifetime limited warranty against leaks, drips and finish defects to the original homeowner
  - 10 year limited warranty when used in a multifamily installation
  - 5 year limited warranty when used in a commercial installation
- Visit [www.moen.com/support](http://www.moen.com/support) for complete details and limitations



## M-CORE™

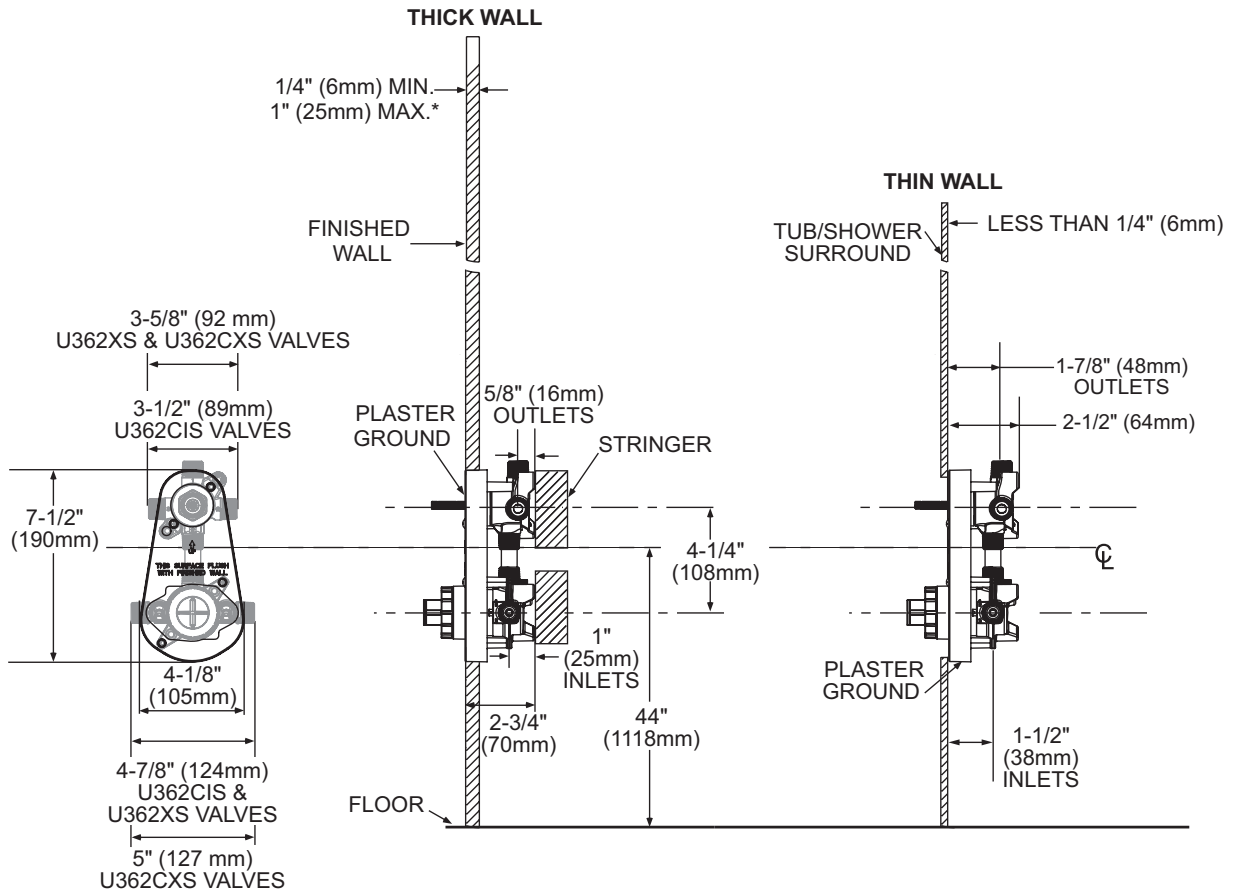
### With Integrated 3 Function / 6 Function Transfer Valve

#### Models:

U362CIS  
U362XS  
U362CXS

#### Inlet Connection

CC/IPS  
PEX  
Cold Expansion PEX



\* Walls thicker than 1" (25mm) require optional extension kit.

## CRITICAL DIMENSIONS

(DO NOT SCALE)

FOR MORE INFORMATION CALL: 1-800-BUY-MOEN

[www.moen.com](http://www.moen.com)