



see what Delta can do™

INTEGRATED SHOWER DIVERTER TRIM

- Trillian™ Trim with Three Function Diverter (T24843)
- Trillian™ Trim with Six Function Diverter (T24943)

FEATURES:

- Monitor® 14 Series pressure balanced single function bath mixing valve trim
- Three or six function diverter


STANDARD SPECIFICATIONS:

- Main control utilizes single-function pressure balanced cartridge.
- Maintains a balanced pressure of hot and cold water even when a valve is turned on or off elsewhere in the system.
- For use with MultiChoice® Universal rough valve body (R22000 Series)
- Top handle controls diverter functions.
- Bottom handle controls on/off and temperature.
- Field adjustable to limit handle rotation into hot water zone.
- Bottom handle 120° Maximum rotation.
- Red/Blue indicator markings.
- Three function diverter for 2 individual positions, 1 shared position.
- For two individual functions, no shared functions, order additional RP71717.
- Six function diverter for 3 individual positions, 3 shared positions.
- For three individual functions, no shared functions, order additional RP71718.
- Cartridges included.
- Standard installation allows up to 1 1/8" finished wall thickness.
- Thick wall installation kit (RP90542▲) can be ordered to allow for up to 2 1/8" finished wall thickness.
- Maximum system flow rate 5.0 gpm at 60 psi with R22000

WARRANTY

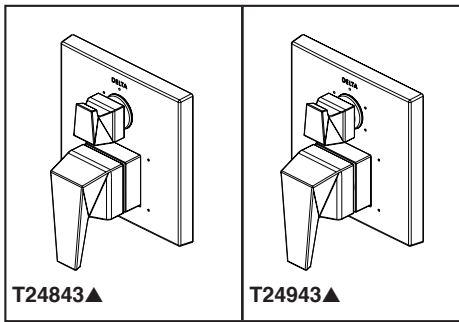
- Parts and Finish - Lifetime limited warranty; or for commercial purchasers, 10 years for multi-family residential (apartments and condominiums) and 5 years for all other commercial uses, in each case from the date of purchase.
- Electronic Parts and Batteries (if applicable) - 5 years from the date of purchase; or for commercial purchasers, 1 year from the date of purchase. No warranty is provided on batteries.

COMPLIES WITH:

- ASME A112.18.1 / CSA B125.1
-  Indicates compliance to ICC/ANSI A117.1

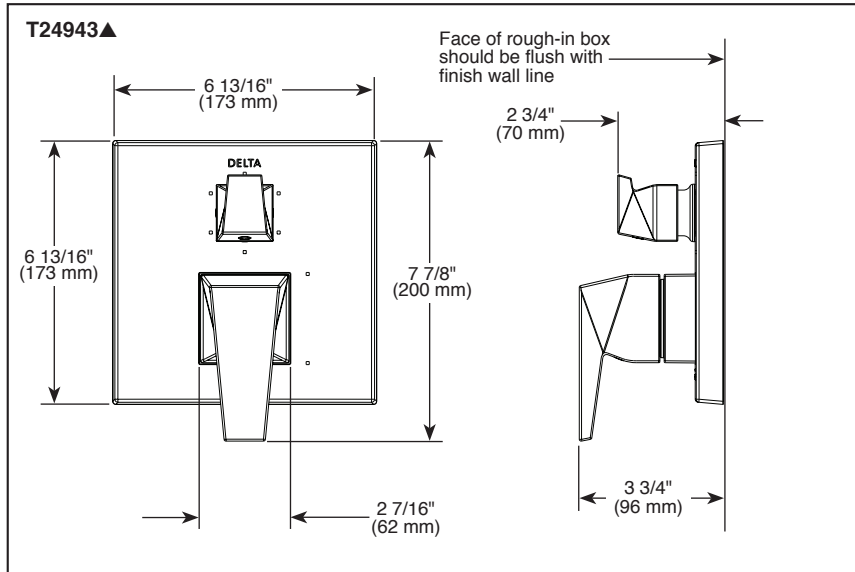
Delta Faucet Company

55 E. 111th Street, Indianapolis, IN 46280
 350 South Edgeware Road, St. Thomas, ON N5P 4L1
 © 2020 Delta Faucet Company



Submitted Model No.: _____

Specific Features: _____



▲ Designate Proper Finish Suffix

