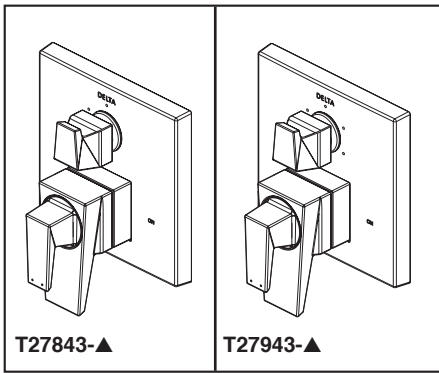




see what Delta can doSM

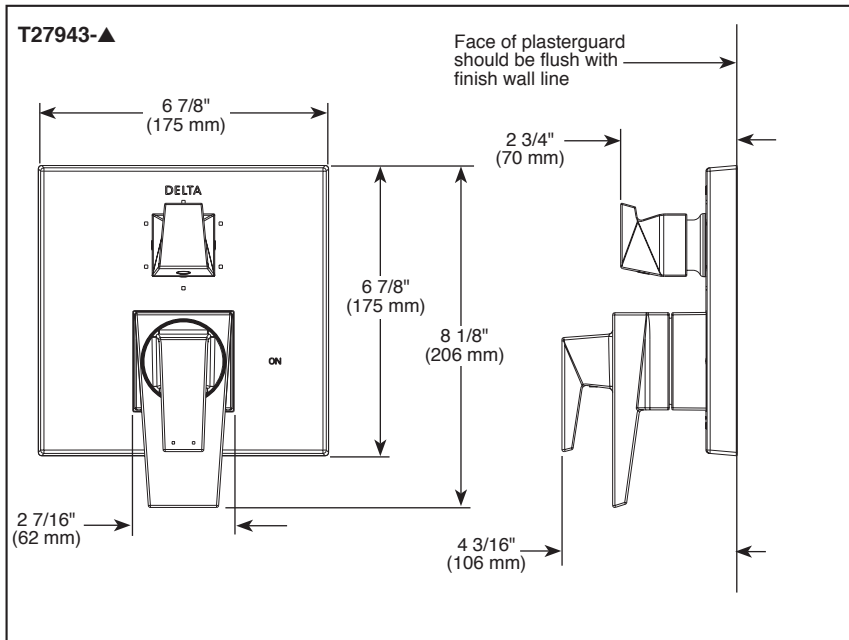
INTEGRATED SHOWER DIVERTER TRIM

- Trillian™ Trim with Three Function Diverter (T27843)
- Trillian™ Trim with Six Function Diverter (T27943)

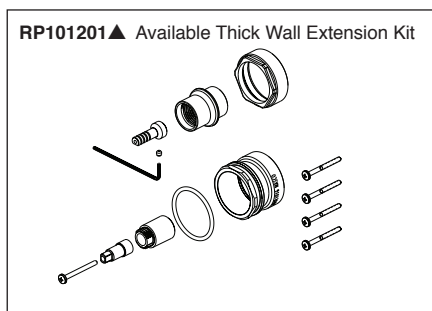


Submitted Model No.: _____

Specific Features: _____



▲ Designate Proper Finish Suffix



FEATURES:

- Monitor® 17 Series pressure balanced dual function bath mixing valve trim
- Three or six function diverter

STANDARD SPECIFICATIONS:

- Main control utilizes dual-function pressure balanced cartridge
- Maintains a balanced pressure of hot and cold water even when a valve is turned on or off elsewhere in the system
- For use with MultiChoice® Universal rough valve body (R22000 Series)
- Top handle controls diverter functions
- Bottom handle controls on/off and adjusts volume; dial controls temperature
- Field adjustable to limit handle rotation into hot water zone
- Bottom handle 90° Maximum rotation
- Red/Blue indicator markings
- Three function diverter for 2 individual positions, 1 shared position
- For two individual functions, no shared functions, order additional RP71717
- Six function diverter for 3 individual positions, 3 shared positions
- For three individual functions, no shared functions, order additional RP71718
- Cartridges included
- Standard installation allows up to 1 1/8" finished wall thickness
- Thick wall installation kit (RP101201▲) can be ordered to allow for up to 2 1/8" finished wall thickness
- Maximum system flow rate 5.8 gpm at 60 psi with R22000

WARRANTY

- Parts and Finish - Lifetime limited warranty; or for commercial purchasers, 10 years for multi-family residential (apartments and condominiums) and 5 years for all other commercial uses, in each case from the date of purchase.
- Electronic Parts and Batteries (if applicable) - 5 years from the date of purchase; or for commercial purchasers, 1 year from the date of purchase. No warranty is provided on batteries.

COMPLIES WITH:

- ASME A112.18.1 / CSA B125.1
- ☑ Indicates compliance to ICC/ANSI A117.1

Delta reserves the right (1) to make changes in specifications and materials, and (2) to change or discontinue models, both without notice or obligation. Dimensions are for reference only. See current full-line price book or www.deltafaucet.com for finish options and product availability.

DSP-B-T27843 Rev. A

Delta Faucet Company
 55 E. 111th Street, Indianapolis, IN 46280
 350 South Edgeware Road, St. Thomas, ON N5P 4L1
 © 2020 Delta Faucet Company