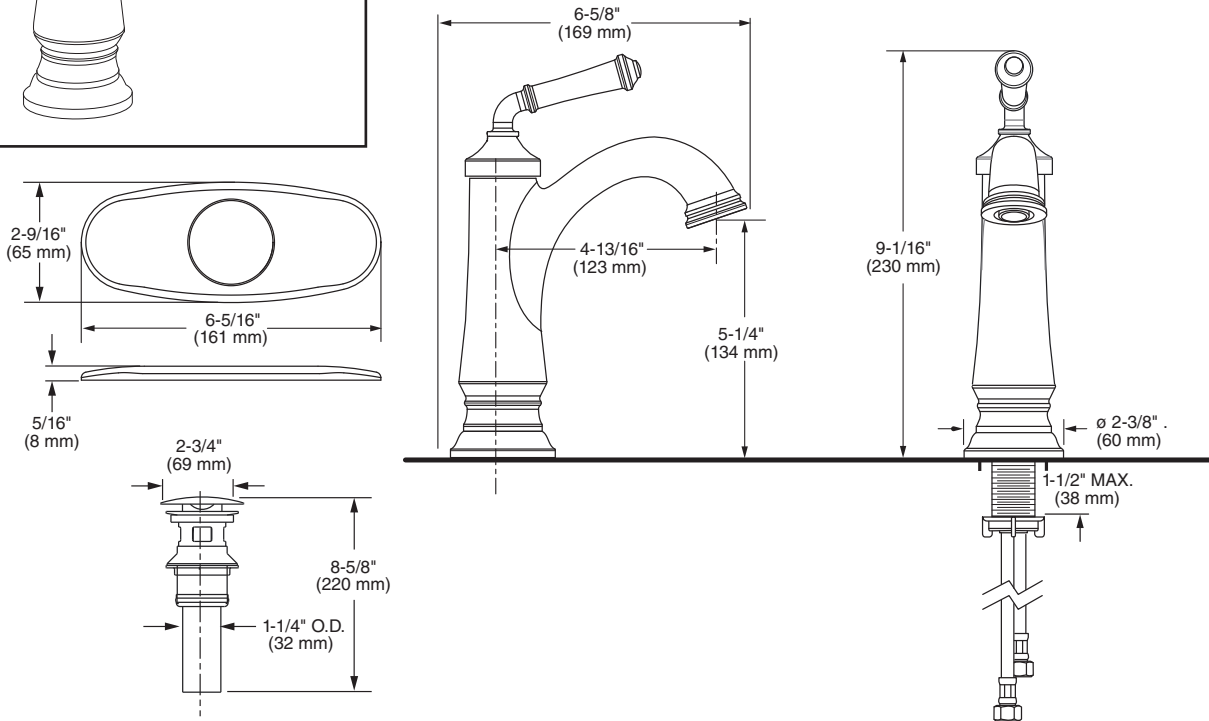


**MODEL NUMBER:**

- **7052107 Single Control Lavatory**  
Brass push pop-up drain.

**AVAILABLE ACCESSORY:**  
**2000102P Escutcheon Plate Only.**



**GENERAL DESCRIPTION:**

- Cast brass spout
- Washerless 28 mm ceramic disc valve cartridge with integral hot limit safety stop.
- Integrated 24" braided supply hoses with 3/8" compression connections
- Brass push pop-up drain
- 1.2 gpm/4.5 L/min maximum flow rate

**PRODUCT FEATURES:**

- Brass Construction:** Durable. Easy to clean. Ideal for prolonged contact with water.
- Ceramic Disc Valve Cartridge:** Assures a lifetime of smooth handle operation and drip-free performance.
- Adjustable Hot Limit Safety Stop:** Limits the amount of hot water allowed to mix with cold. Reduces the risk of accidental scalding.
- Push Pop-Up Drain:**
  - Fewer parts. Installs in less time.
  - No adjustments required - seals the first time, every time.
- Lead Free:** Faucet contains ≤ 0.25% total lead content by weighted average.



ADA COMPLIANT | EPA WATERSENSE®  
CERTIFIED

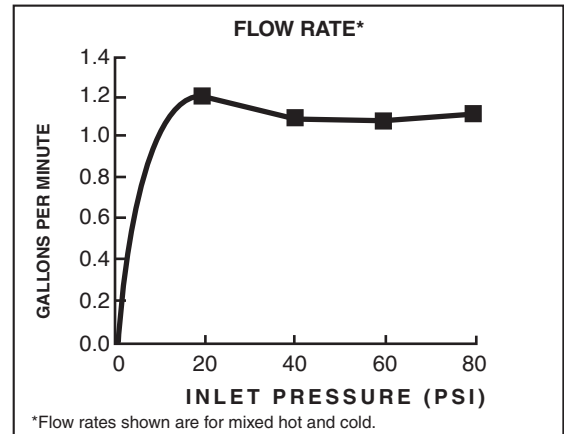
**SUGGESTED SPECIFICATION**

Single control lavatory faucet shall feature a brass body and metal lever handle. Fitting shall be equipped with flexible supplies with 3/8" compression connectors. Shall also feature washerless ceramic disc valve cartridge with an integral hot limit safety stop. Shall also feature a metal drain body. Fitting shall be American Standard Model # 7052107.\_\_\_\_.

**CODES AND STANDARDS**

These products meet or exceed the following codes and standards:

- ANSI A117.1**
- ASME A112.18.1**
- CSA B125.1**
- NSF/ANSI/CAN 61: Q<1**
- NSF/ANSI/CAN 372**



Product Number	Description		Finish Options				
			Polished Chrome	Brushed Nickel	Polished Nickel	Legacy Bronze	Brushed Cool Sunrise
			002	295	013	278	GN0
7052107	Single Control Lavatory. Brass push pop-up drain.		✓	✓	✓	✓	✓
2000102P	Universal Deck Plate		✓	✓	✓	✓	✓

Meets the American Disabilities Act Guidelines and **ANSI A117.1** Requirements for the physically challenged.