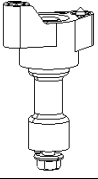
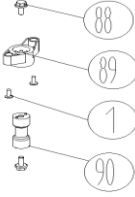
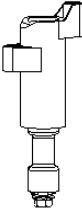
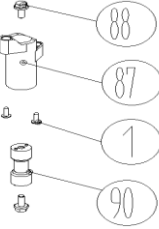
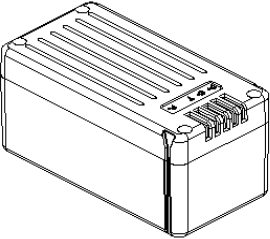
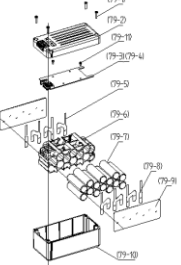
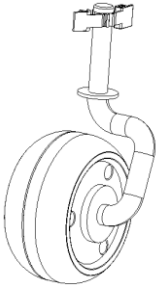
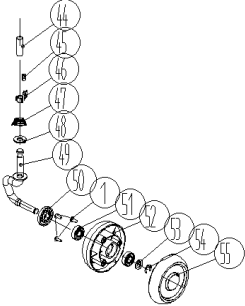
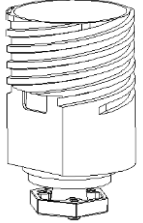
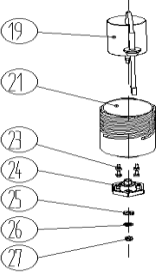
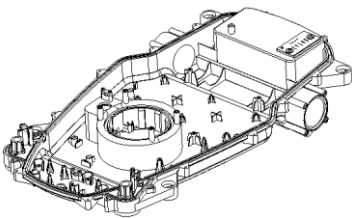
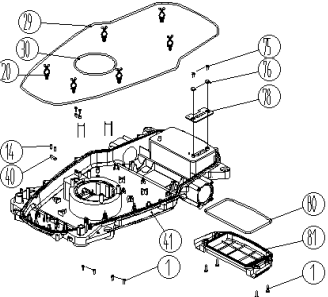
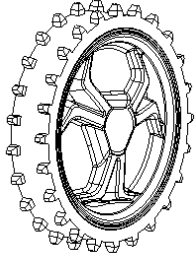
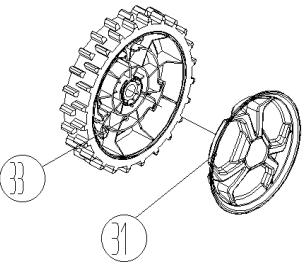
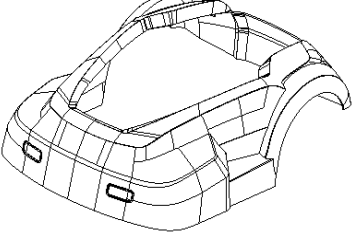
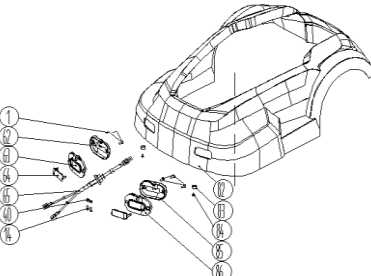
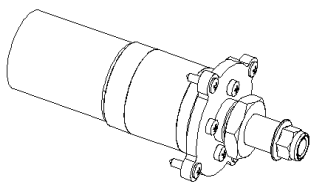
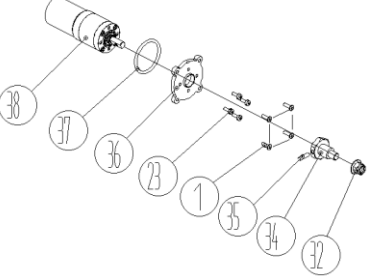
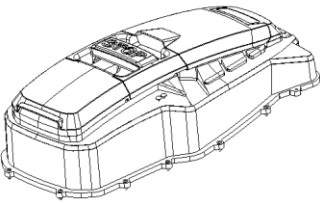
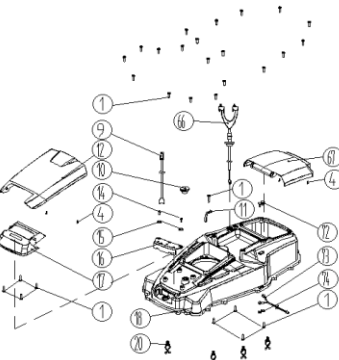
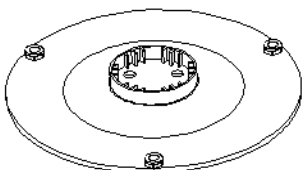
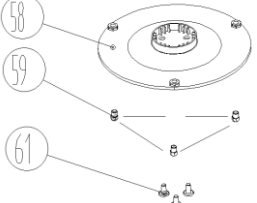
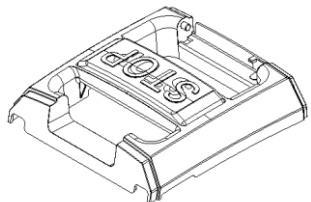
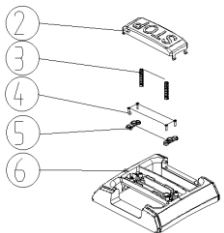
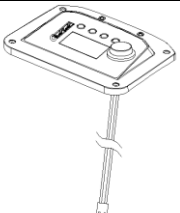
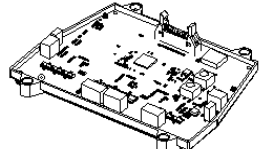
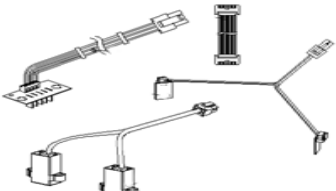
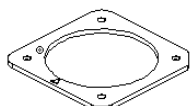
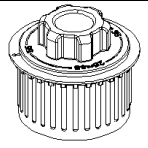
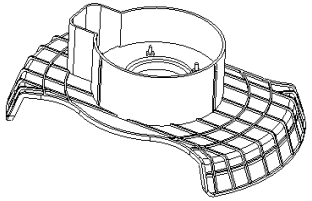
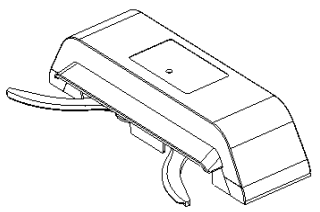
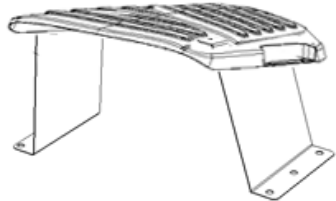
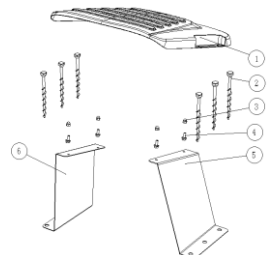
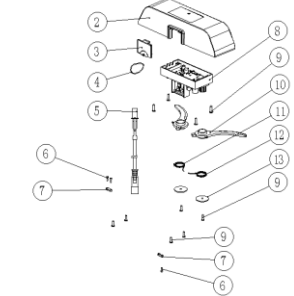
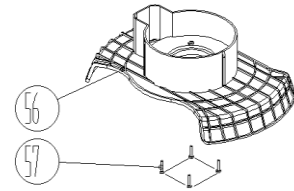
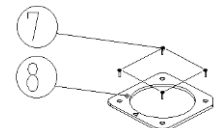
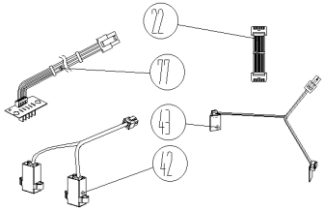
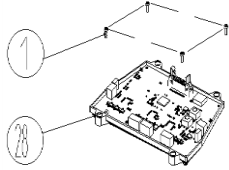
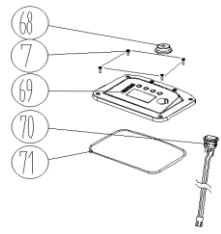


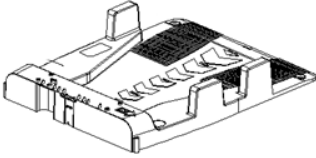


## RM24A Service Assembly/Parts

RM24A--01	Bumping Bracket Assembly 1	No.	Material Code	Description	Q-ty		
		1	60020810	Cross Recessed Pan Head Tapping Screw	4		
		88	60020730	Hexagon Head Flange Bolt	4		
		89	26340010	Bumping Bracket 1	2		
		90	26350020	Bumping Rubber Connector	2		
	Sold as set only.						
RM24A--02	Bumping Bracket Assembly 2	No.	Material Code	Description	Q-ty		
		1	60020810	Cross Recessed Pan Head Tapping Screw	4		
		87	26350010	Bumping Bracket 2	2		
		88	60020730	Hexagon Head Flange Bolt	4		
		90	26350020	Bumping Rubber Connector	2		
	Sold as set only.						
RM24A--03	Battery Pack	No.	Material Code	Description	Q-ty		
		79-1	60480130	Special Tapping Screw	4		
		79-2	26050010	Upper Cover	1		
		79-3	30010690	Protection Board	1		
		79-4	30010770	Mother Plate	4		
		79-5	30010740	Nickle -1	6		
		79-6	26040010	Battery Cell Frame	1		
		79-7	30050040	Batery Cells	14		
		79-8	30010750	Nickle -1	2		
		79-9	30010760	Tracing Paper	2		
		79-10	26010010	Lower Cover	1		
		79-11	60020820	Cross Recessed Pan Head Tapping Screw	2		
Sold as set only.							
RM24A--04	Front Wheel Assembly	No.	Material Code	Description	Q-ty		
		1	60020810	Cross Recessed Pan Head Tapping Screw	6		
		44	70600160	Universal Wheel Bush	2		
		45	71270060	Lifting Detection Magnet	2		
		46	26140010	Lifting Servo Bracket	2		
		47	60380670	Pressing Spring	2		
		48	20940420	Universal Wheel Washer	2		
		49	70030870	Universal Wheel Shaft	2		
		50	26130010	Dust Proof Cover of Universal Wheel	2		
		51	26470010	Universal Wheel Slip Ring	4		
		52	26110010	Universal Wheel Left	2		
		53	60200020	Washer	2		
		54	60020680	8 Type Circlip of Split Washer	2		
		55	26120010	Universal Wheel Right	2		
	Sold as set only.						
	RM24A--05	Cutting Motor Assembly	No.	Material Code	Description		Q-ty
		19	30071700	Cutting Motor	1		
		21	26150010	Cutting Motor Barrel	1		
		23	60020750	Assembly of Cross Recessed Pan Head Falling Resistant Screw, Spring Gasket, and Flast Washer	4		
		24	70030880	Cutting Driving Shaft	1		
		25	60020570	Cutting Driving Shaft Ring	1		
		26	60210140	Spring Spring	1		
		27	60150080	Nylon Slef-locking Nut	1		
Sold as set only.							
RM24A--06	Lower Cover Assembly	No.	Material Code	Description	Q-ty		
		1	60020810	Cross Recessed Pan Head Tapping Screw	8		
		14	60020830	Cross Recessed Pan Head Tapping Screw	4		
		20	80010320	Thread Clamp	6		
		29	20940340	Sealing of Main Machine	1		
		30	20940330	Height Adjustment Sealing	1		
		40	26350030	Power Cord Pressplate	2		
		41	26010010	Lower Cover	1		
		75	60020790	Cross Recessed Pan Head Tapping Screw	2		
		76	60020550	Fixing Gasket	2		
		78	26020010	Antiflaming Piece	1		
		80	20940350	Battery Pack Sealing	1		
	81	26060010	Cover Plate of Battery Back	1			
Sold as set only.							

<p><b>RM24A-07 Wheel Assembly</b></p> 	<table border="1"> <thead> <tr> <th>No.</th> <th>Material Code</th> <th>Description</th> <th>Q-ty</th> </tr> </thead> <tbody> <tr> <td>31</td> <td>26090010</td> <td>Wheel Cover</td> <td>2</td> </tr> <tr> <td>33</td> <td>20880500</td> <td>Wheel Assembly</td> <td>2</td> </tr> </tbody> </table> <p style="text-align: center;">Sold as set only.</p>	No.	Material Code	Description	Q-ty	31	26090010	Wheel Cover	2	33	20880500	Wheel Assembly	2																																																													
No.	Material Code	Description	Q-ty																																																																							
31	26090010	Wheel Cover	2																																																																							
33	20880500	Wheel Assembly	2																																																																							
<p><b>RM24A-08 Outer Cover</b></p> 	<table border="1"> <thead> <tr> <th>No.</th> <th>Material Code</th> <th>Description</th> <th>Q-ty</th> </tr> </thead> <tbody> <tr> <td>1</td> <td>60020810</td> <td>Cross Recessed Pan Head Tapping Screw</td> <td>6</td> </tr> <tr> <td>14</td> <td>60020830</td> <td>Cross Recessed Pan Head Tapping Screw</td> <td>2</td> </tr> <tr> <td>40</td> <td>26350030</td> <td>Power Cord Pressplate</td> <td>1</td> </tr> <tr> <td>62</td> <td>20920820</td> <td>Right Cover of Charging Contacts</td> <td>1</td> </tr> <tr> <td>63</td> <td>26320010</td> <td>Right Bracket of Charging Contacts</td> <td>1</td> </tr> <tr> <td>64</td> <td>70030890</td> <td>Charing Copper Piece</td> <td>2</td> </tr> <tr> <td>65</td> <td>30042270</td> <td>Charging Cord</td> <td>1</td> </tr> <tr> <td>82</td> <td>26310010</td> <td>Outer Cover</td> <td>1</td> </tr> <tr> <td>83</td> <td>71270070</td> <td>Bumping Detection Magnet</td> <td>2</td> </tr> <tr> <td>84</td> <td>60172000</td> <td>Cross Recessed Pan Head Tapping Screw</td> <td>2</td> </tr> <tr> <td>85</td> <td>20920810</td> <td>Left Cover of Charging Contacts</td> <td>1</td> </tr> <tr> <td>86</td> <td>26330010</td> <td>Left Bracket of Charging Contacts</td> <td>1</td> </tr> </tbody> </table> <p style="text-align: center;">Sold as set only.</p>	No.	Material Code	Description	Q-ty	1	60020810	Cross Recessed Pan Head Tapping Screw	6	14	60020830	Cross Recessed Pan Head Tapping Screw	2	40	26350030	Power Cord Pressplate	1	62	20920820	Right Cover of Charging Contacts	1	63	26320010	Right Bracket of Charging Contacts	1	64	70030890	Charing Copper Piece	2	65	30042270	Charging Cord	1	82	26310010	Outer Cover	1	83	71270070	Bumping Detection Magnet	2	84	60172000	Cross Recessed Pan Head Tapping Screw	2	85	20920810	Left Cover of Charging Contacts	1	86	26330010	Left Bracket of Charging Contacts	1																					
No.	Material Code	Description	Q-ty																																																																							
1	60020810	Cross Recessed Pan Head Tapping Screw	6																																																																							
14	60020830	Cross Recessed Pan Head Tapping Screw	2																																																																							
40	26350030	Power Cord Pressplate	1																																																																							
62	20920820	Right Cover of Charging Contacts	1																																																																							
63	26320010	Right Bracket of Charging Contacts	1																																																																							
64	70030890	Charing Copper Piece	2																																																																							
65	30042270	Charging Cord	1																																																																							
82	26310010	Outer Cover	1																																																																							
83	71270070	Bumping Detection Magnet	2																																																																							
84	60172000	Cross Recessed Pan Head Tapping Screw	2																																																																							
85	20920810	Left Cover of Charging Contacts	1																																																																							
86	26330010	Left Bracket of Charging Contacts	1																																																																							
<p><b>RM24A-09 Driving Motor Assembly</b></p> 	<table border="1"> <thead> <tr> <th>No.</th> <th>Material Code</th> <th>Description</th> <th>Q-ty</th> </tr> </thead> <tbody> <tr> <td>1</td> <td>60020810</td> <td>Cross Recessed Pan Head Tapping Screw</td> <td>8</td> </tr> <tr> <td>23</td> <td>60020750</td> <td>Assembly of Cross Recessed Pan Head Falling Resistant Screw, Spring Gasket, and Flast Washer</td> <td>8</td> </tr> <tr> <td>34</td> <td>70030860</td> <td>Driving Shaft</td> <td>2</td> </tr> <tr> <td>35</td> <td>60250270</td> <td>Spring Pin</td> <td>2</td> </tr> <tr> <td>36</td> <td>26070010</td> <td>Driving Motor Bracket</td> <td>2</td> </tr> <tr> <td>37</td> <td>20940360</td> <td>Driving Motor Sealing Gasket</td> <td>2</td> </tr> <tr> <td>38</td> <td>30071710</td> <td>Driving Motor</td> <td>2</td> </tr> <tr> <td>32</td> <td>60140060</td> <td>Hexagon Flange Lock Nut</td> <td>2</td> </tr> </tbody> </table> <p style="text-align: center;">Sold as set only.</p>	No.	Material Code	Description	Q-ty	1	60020810	Cross Recessed Pan Head Tapping Screw	8	23	60020750	Assembly of Cross Recessed Pan Head Falling Resistant Screw, Spring Gasket, and Flast Washer	8	34	70030860	Driving Shaft	2	35	60250270	Spring Pin	2	36	26070010	Driving Motor Bracket	2	37	20940360	Driving Motor Sealing Gasket	2	38	30071710	Driving Motor	2	32	60140060	Hexagon Flange Lock Nut	2																																					
No.	Material Code	Description	Q-ty																																																																							
1	60020810	Cross Recessed Pan Head Tapping Screw	8																																																																							
23	60020750	Assembly of Cross Recessed Pan Head Falling Resistant Screw, Spring Gasket, and Flast Washer	8																																																																							
34	70030860	Driving Shaft	2																																																																							
35	60250270	Spring Pin	2																																																																							
36	26070010	Driving Motor Bracket	2																																																																							
37	20940360	Driving Motor Sealing Gasket	2																																																																							
38	30071710	Driving Motor	2																																																																							
32	60140060	Hexagon Flange Lock Nut	2																																																																							
<p><b>RM24A-10 Upper Cover Assembly</b></p> 	<table border="1"> <thead> <tr> <th>No.</th> <th>Material Code</th> <th>Description</th> <th>Q-ty</th> </tr> </thead> <tbody> <tr> <td>1</td> <td>60020810</td> <td>Cross Recessed Pan Head Tapping Screw</td> <td>29</td> </tr> <tr> <td>4</td> <td>60171950</td> <td>Cross Recessed Pan Head Tapping Screw</td> <td>4</td> </tr> <tr> <td>9</td> <td>30042220</td> <td>Signal Wire of Bumping Detection</td> <td>1</td> </tr> <tr> <td>10</td> <td>20940470</td> <td>Sealing Plug</td> <td>1</td> </tr> <tr> <td>11</td> <td>60020590</td> <td>Height Adjustment Locking Piece</td> <td>1</td> </tr> <tr> <td>12</td> <td>26250010</td> <td>Height Adjustment Cover Plate</td> <td>1</td> </tr> <tr> <td>14</td> <td>60020830</td> <td>Cross Recessed Pan Head Tapping Screw</td> <td>2</td> </tr> <tr> <td>15</td> <td>60440400</td> <td>Gasket of Bumping Adjusting Plate</td> <td>2</td> </tr> <tr> <td>16</td> <td>30011480</td> <td>Bumping Detection PCB Assembly</td> <td>1</td> </tr> <tr> <td>17</td> <td>26230010</td> <td>Alarming Light Bracket</td> <td>1</td> </tr> <tr> <td>18</td> <td>28160010</td> <td>Upper Cover</td> <td>1</td> </tr> <tr> <td>20</td> <td>80010320</td> <td>Thread Clamp</td> <td>4</td> </tr> <tr> <td>66</td> <td>30042230</td> <td>STOP Signal Wire</td> <td>1</td> </tr> <tr> <td>67</td> <td>26260010</td> <td>Cover Plate of Control Buttons</td> <td>1</td> </tr> <tr> <td>72</td> <td>60020600</td> <td>Rain Detection Bolt</td> <td>2</td> </tr> <tr> <td>73</td> <td>30042240</td> <td>Rain Detection Signal Wire</td> <td>1</td> </tr> <tr> <td>74</td> <td>60150030</td> <td>Nylon Self-locking Nut</td> <td>2</td> </tr> </tbody> </table> <p style="text-align: center;">Sold as set only.</p>	No.	Material Code	Description	Q-ty	1	60020810	Cross Recessed Pan Head Tapping Screw	29	4	60171950	Cross Recessed Pan Head Tapping Screw	4	9	30042220	Signal Wire of Bumping Detection	1	10	20940470	Sealing Plug	1	11	60020590	Height Adjustment Locking Piece	1	12	26250010	Height Adjustment Cover Plate	1	14	60020830	Cross Recessed Pan Head Tapping Screw	2	15	60440400	Gasket of Bumping Adjusting Plate	2	16	30011480	Bumping Detection PCB Assembly	1	17	26230010	Alarming Light Bracket	1	18	28160010	Upper Cover	1	20	80010320	Thread Clamp	4	66	30042230	STOP Signal Wire	1	67	26260010	Cover Plate of Control Buttons	1	72	60020600	Rain Detection Bolt	2	73	30042240	Rain Detection Signal Wire	1	74	60150030	Nylon Self-locking Nut	2	
No.	Material Code	Description	Q-ty																																																																							
1	60020810	Cross Recessed Pan Head Tapping Screw	29																																																																							
4	60171950	Cross Recessed Pan Head Tapping Screw	4																																																																							
9	30042220	Signal Wire of Bumping Detection	1																																																																							
10	20940470	Sealing Plug	1																																																																							
11	60020590	Height Adjustment Locking Piece	1																																																																							
12	26250010	Height Adjustment Cover Plate	1																																																																							
14	60020830	Cross Recessed Pan Head Tapping Screw	2																																																																							
15	60440400	Gasket of Bumping Adjusting Plate	2																																																																							
16	30011480	Bumping Detection PCB Assembly	1																																																																							
17	26230010	Alarming Light Bracket	1																																																																							
18	28160010	Upper Cover	1																																																																							
20	80010320	Thread Clamp	4																																																																							
66	30042230	STOP Signal Wire	1																																																																							
67	26260010	Cover Plate of Control Buttons	1																																																																							
72	60020600	Rain Detection Bolt	2																																																																							
73	30042240	Rain Detection Signal Wire	1																																																																							
74	60150030	Nylon Self-locking Nut	2																																																																							
<p><b>RM24A-11 Blade Disc Assembly</b></p> 	<table border="1"> <thead> <tr> <th>No.</th> <th>Material Code</th> <th>Description</th> <th>Q-ty</th> </tr> </thead> <tbody> <tr> <td>58</td> <td>26370010</td> <td>Blade Disc</td> <td>1</td> </tr> <tr> <td>59</td> <td>60020620</td> <td>Blade nut</td> <td>3</td> </tr> <tr> <td>61</td> <td>60090270</td> <td>Large Flat Round Head Hexagon Bolt</td> <td>3</td> </tr> </tbody> </table> <p style="text-align: center;">Sold as set only.</p>	No.	Material Code	Description	Q-ty	58	26370010	Blade Disc	1	59	60020620	Blade nut	3	61	60090270	Large Flat Round Head Hexagon Bolt	3																																																									
No.	Material Code	Description	Q-ty																																																																							
58	26370010	Blade Disc	1																																																																							
59	60020620	Blade nut	3																																																																							
61	60090270	Large Flat Round Head Hexagon Bolt	3																																																																							
<p><b>RM24A-12 Lifting Handle Assembly</b></p> 	<table border="1"> <thead> <tr> <th>No.</th> <th>Material Code</th> <th>Description</th> <th>Q-ty</th> </tr> </thead> <tbody> <tr> <td>2</td> <td>26220010</td> <td>STOP Button</td> <td>1</td> </tr> <tr> <td>3</td> <td>60020610</td> <td>Reset Spring of STOP Button</td> <td>2</td> </tr> <tr> <td>4</td> <td>60171950</td> <td>Cross Recessed Pan Head Tapping Screw</td> <td>4</td> </tr> <tr> <td>5</td> <td>26210010</td> <td>Microswitch Pressplate of STOP Button</td> <td>2</td> </tr> <tr> <td>6</td> <td>26200010</td> <td>Lifting Handle</td> <td>1</td> </tr> </tbody> </table> <p style="text-align: center;">Sold as set only.</p>	No.	Material Code	Description	Q-ty	2	26220010	STOP Button	1	3	60020610	Reset Spring of STOP Button	2	4	60171950	Cross Recessed Pan Head Tapping Screw	4	5	26210010	Microswitch Pressplate of STOP Button	2	6	26200010	Lifting Handle	1																																																	
No.	Material Code	Description	Q-ty																																																																							
2	26220010	STOP Button	1																																																																							
3	60020610	Reset Spring of STOP Button	2																																																																							
4	60171950	Cross Recessed Pan Head Tapping Screw	4																																																																							
5	26210010	Microswitch Pressplate of STOP Button	2																																																																							
6	26200010	Lifting Handle	1																																																																							

RM24A--13	Key Display Board Assembly	No.	Material Code	Description	Q-ty
	7	60171060	Cross Recessed Pan Head Tapping Screw	4	
	68	20800360	Water Proof Cap of Switch	1	
	69	30011500	Key Display Board Assembly	1	
	70	30042250	Power Cord	1	
	71	20940370	Bracket Seal of Key Display Board	1	
Sold as set only.					
	1	60020810	Cross Recessed Pan Head Tapping Screw	4	
	28	30011320	Main PCB Assembly	1	
Sold as set only.					
	22	30042260	Key Display Board Harness	1	
	42	30011460	Boundary Wire PCB Assembly	1	
	43	30011470	Lifting Detection PCB Assembly	1	
	77	30011490	Interface Panel Assembly of Battery Pack	1	
Sold as set only.					
	7	60171060	Cross Recessed Pan Head Tapping Screw	4	
	8	26280010	Height Adjustment Pressplate	1	
Sold as set only.					
	13	26270030	Height Adjustment Handle	1	
Sold as set only.					
	56	26360010	Blade Plate Cover	1	
	57	60020840	Cross Recessed Pan Head Tapping Screw	4	
Sold as set only.					
	2	26400010	Upper Cover of Charging Base	1	
	3	26420010	Cover Plate of Boundary Wire	1	
	4	30040980	Cover Plate Rope of Bourary Wire	1	
	5	30042330	Charging Line	1	
	6	60020830	Cross Recessed Pan Head Tapping Screw	3	
	7	26350030	Wire Pressplate	2	
	8	30011450	Charging Base PCB Assembly	1	
	9	60020810	Cross Recessed Pan Head Tapping Screw	10	
	10	26410010	Charging Fork	2	
	11	60020670	Right Torsional Spring	1	
	12	60020650	Left Torsional Spring	1	
	13	60020640	Charging Fork Gasket	2	
	Sold as set only.				
	1	20940040	Top cover	1	
	2	26440010	Pegs	6	
	3	60130020	Cap Nut	4	
	4	60020730	Hexagon Bolts Serratedflange	4	
	5	70080012	Right Bracket for Fixing Canopy	1	
	6	70080011	Left Bracket for Fixing Canopy	1	
Sold as set only.					



RM24A--21	Lower Base Assembly of Charging Base	No.	Material Code	Description	Q-ty
		1	26440010	Charging Base Pegs	4
		14	26380010	Charging Base	1
Sold as set only.					
RM24A--22	Standard parts 2	No.	Material Code	Description	Q-ty
 <p>X 330'</p> <p>X 100</p>	1	26440010	Charging Base Fixing Peg	6	
	2	30020110	Connector for Boundary Wires	4	
	3	30020160	T Type Connecting Terminal	4	
	4	/	Blade Assembly	9	
	5	30041470	Boundary Wire	1	
	6	26450020	Boundary Wire Pegs	3	
Sold as set only.					
RM24A--23	Adaptor	No.	Material Code	Description	Q-ty
		1	30080380	Adaptor	1

