



redback

40V Lithium Ion Lawn Mower



MODEL E142C

Operation Manual



This safety alert symbol identifies important safety messages in this manual. Failure to follow this important safety information may result in serious injury or death.



For Service or Questions

1-800-876-3009

www.redbacktools.com

email us at support@redbacktools.com

Table of Contents

Important Safety Information	
Intended Use	4
Personal Protective Equipment	4
General Safety	5
Safety Icons	6
Assembly	7
Overview of Components	8
Operation	9
Maintenance	10
Storage	11
Warranty & Specifications	12





WARNING

WARNING: Read and thoroughly understand all instructions and safety information before assembling or operating the lawn mower. Failure to do so may cause serious injury or death. Do not allow anyone to operate this lawn mower who has not read this manual. As with all power equipment, a lawn mower can be dangerous if assembled or used improperly. Do not operate this lawn mower if you have doubts or questions concerning safe operation.

Call our customer service department at **1-800-876-3009**, or visit **www.redbacktools.com** if you have any questions or concerns about the safe operation of this equipment.



DANGER

Intended Use

Do not use the lawn mower for any purpose other than for which it was designed. Any other use is unauthorized and may result in serious injury or death.

Personal Protective Equipment

When operating this lawn mower it is essential that you wear safety gear including goggles or safety glasses, steel-toed shoes and tight fitting gloves (no loose cuffs or draw strings). Always wear ear plugs or sound deafening headphones to protect against hearing loss when operating this mower. Always wear sturdy footwear. Never wear sandals, sneakers or open shoes, and never operate the lawn mower with bare feet. Do not wear loose clothing that might get caught in moving parts.



General Safety

Failure to follow warnings, cautions, assembly and operation instructions in the Operation Manual may result in serious injury or death.



DANGER

READ THE OPERATION MANUAL BEFORE OPERATION.

- **Do not** permit children to operate this equipment at any time.
- **Do not** permit others that have not read and understood the complete Operation Manual to operate this equipment.
- The lawn mower can propel objects it strikes at high speeds. **Keep all people and pets a minimum of 10 feet away from the work area when operating the lawn mower.** It is recommended to wear heavy long pants during operation.
- **Do not** operate the lawn mower when under the influence of alcohol, drugs or medication.
- **Do not** allow a person who is tired or otherwise impaired or not completely alert to operate the lawn mower.



DANGER

- **Do not** operate the lawn mower in rain or other wet conditions. Protect the lawn mower from rain.
- Always keep hands, feet, hair and loose clothing away from the lawn mower.
- The battery should be removed before any repairs are attempted.

Battery tool use and care

- Recharge only with the charger specified by the manufacturer. A charger that is suitable for one type of battery pack may create a risk of fire when used with another battery pack.
- Use power tools only with specifically designated battery packs. Use of any other battery packs may create a risk of injury and fire.
- When battery pack is not in use, keep it away from other metal objects like paper clips, coins, keys, nails, screws or other small metal objects that can make a connection from one terminal to another. Shorting the battery terminals may cause burns or a fire.
- Under certain conditions, liquid may be ejected from the battery; avoid contact. If contact accidentally occurs, flush with water. If liquid contacts eyes, additionally seek medical help. Liquid ejected from the battery may cause irritation or burns.
- **DO NOT USE BATTERIES WITH DAMAGED CASES.** Dispose of batteries properly. Do not dispose of batteries in household waste.



Important Safety Information

Safety Icons

Safety icons are embossed into the discharge flap of the grass catcher receptacle on the lawn mower to remind you of important information while you are operating the unit.



Use caution when operating this power equipment



Read and understand the Operation Manual before operating the lawn mower.



A lawn mower can eject objects at high speeds. Use caution when operating around other people and pets.



A lawn mower can eject objects at high speeds. Use caution when operating near walls, fences and other obstacles.



Use caution when operating the lawn mower on slopes.



Remove key before making adjustments or performing maintenance.



Use caution when handling, dangerous pinch points!



Keep feet and hands away from underside of mower: blades are extremely sharp!



Stop the engine and remove the key before removing obstacles in mower's path.



Avoid operating in the rain, protect the battery and mower from wet conditions.

Safety Decals

Safety decals on the blower are to remind you of important information while you are operating the unit. Make sure all decals are attached and in readable condition. Replace missing or defaced decals. Contact RedbackTools at 1-800-876-3009 for replacement decals.



 WARNING	 AVERTISSEMENT
<ul style="list-style-type: none">• Risk of eye injury. Use safety glasses or other eye protection.• Read the operator's manual before using.• Keep bystanders/children away.• Remove obstacles in path that could be thrown.• Risk of injury. Do not operate without safety guards in place.• Risk of electric shock. Do not expose to water or wet ground.• Remove battery before performing maintenance.• For use only with Redback 120V batteries.	<ul style="list-style-type: none">• Risque de blessure à l'œil. Utiliser des lunettes de protection des yeux ou autres.• Lire le manuel de l'opérateur avant l'utilisation.• S'assurer que les enfants/route.• Lever les obstacles dans la voie qui pourrait être jeté.• Risque de blessure. Ne faites pas fonctionner sans les protections de sécurité en place.• Risque de choc électrique. Ne pas exposer à l'eau ou le sol humide.• Retirez la batterie avant d'effectuer l'entretien.• À N'utiliser qu'avec les batteries 120V Redback.

107021

Assembly

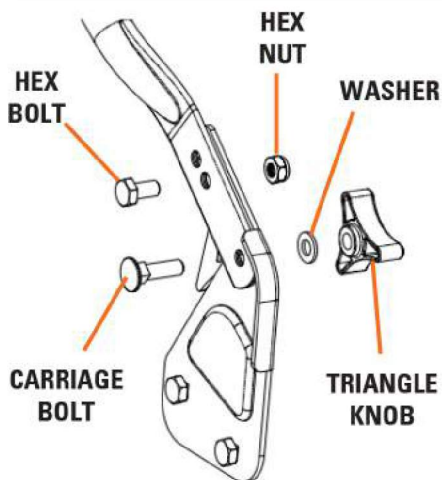


Figure 1

Attaching the Handlebars

Fold the lower handle upwards. Insert a hex bolt into the top hole and fasten with a hex nut. Insert a carriage bolt into the bottom hole and secure with a washer and a triangle knob (see Figure 1).

Place the upper handle on the lower handle aligning the hole in the lower handlebar assembly with one of the three holes in the upper handlebar assembly. Choose which hole to use depending upon the desired overall height of the handlebars.

Insert the carriage bolt through the holes in the upper handle, the lower handle and a washer and attach the triangle knob. Turn the triangle knob to tighten securely (see Figure 2).

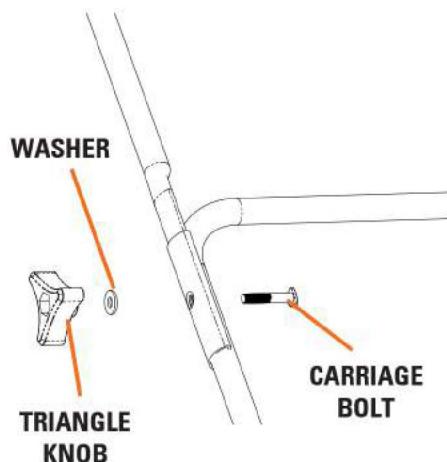


Figure 2

Attaching the Grass Catcher

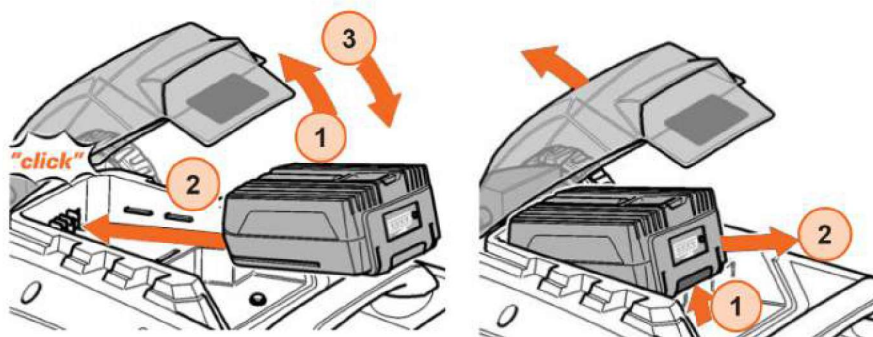
Lift the discharge flap. Hook the grass catcher bag into the lawnmower. Fold the discharge flap down again.

Adjusting the Cutting Height

The cutting height can be varied in 7 increments from 1 to 3.35 inches with the cutting height adjustment. Pull the handle outwards slightly to set the required cutting height and release the lever.

Inserting/Replacing the Battery

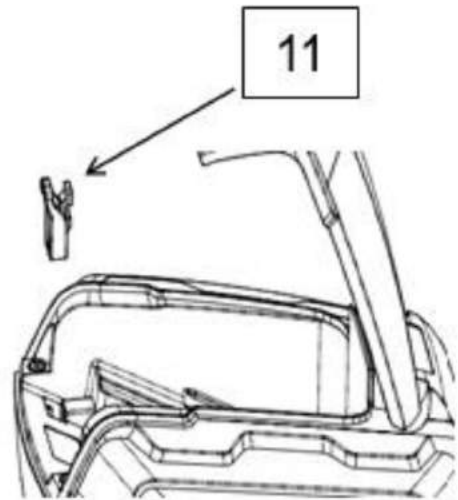
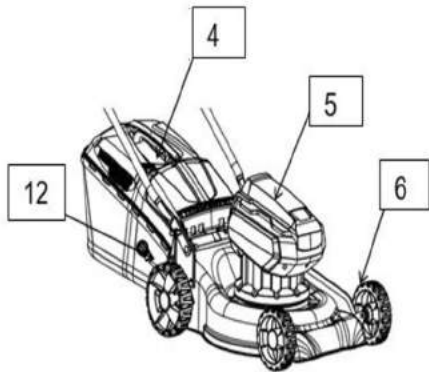
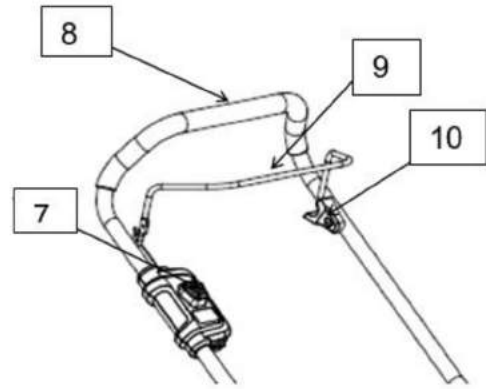
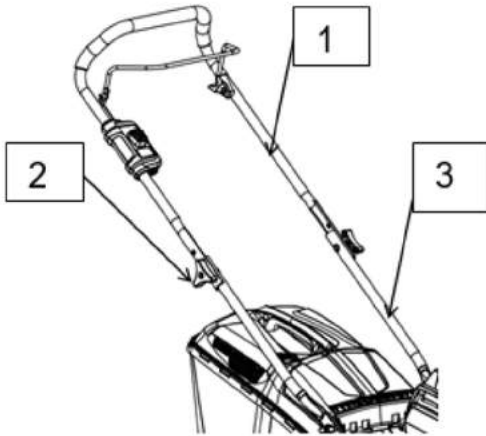
Charge the battery as described in the charger operation manual. Open the battery cover (1). Press the charged battery into the power tool until it clicks into place (2). Close the battery cover (3). To remove, press the release button (1) and pull out the battery (2).



CAUTION

**Protect the battery contacts when the battery is not being used.
Metal objects may short-circuit the contacts and pose
both an explosion and fire hazard!**

Overview of Components



1. Upper Handle
2. Fasten Screw
3. Lower Handle
4. Grass Catcher
5. Battery
6. Wheels

7. Switch Interlock
8. Foam Pipe
9. On/Off Switch
10. Plastic Stopper
11. Safety Key
12. Cutting Height Adjustment Ball



Safety key

The lawn mower has a safety key. The key is located under the battery cover. When the key is removed the power supply to the motor is interrupted. To insert the safety key press down until the key clicks into place. To remove the key, press the lock and pull out the safety key.



CAUTION

Remove the safety key if the unit is left unattended; before adjusting, cleaning or performing other work on the unit; before removing blockages or obstacles in the lawn mowers path.

Powering the Lawn Mower

To switch ON press the switch interlock and hold down. Pull the power activation bar back towards the handle. The motor starts. On self-propelled models (#106491) pull the drive activation bar up towards the handle to engage the drive. Adjust the speed with the drive speed adjustment knob on the handlebar.

Turning the Lawn Mower Off

Release the blade activation bar to turn the motor off.



WARNING

After releasing the blade activation bar, the cutter bar continues running briefly. Risk of injury!

Battery Charge Indicator

The unit has a LED battery charge indicator on the handlebar. The LED shows 4 meaning there is 100% battery power, 3 is 75% power, 2 is 50% power, 1 is 25% power and 0 indicates there is no power.

“4” ~ 100%



“3” ~ 75%



“2” ~ 50%



“1” ~ 25%



“0” ~ 0%



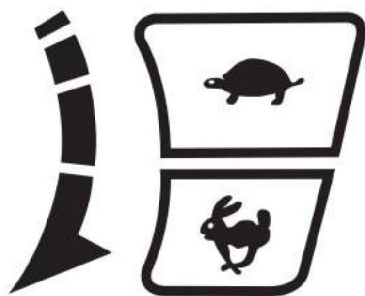
Removing the Grass Catcher

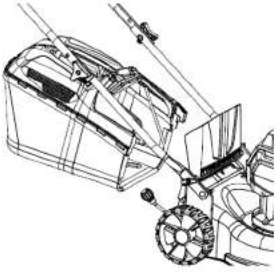
If the grass catcher bag is full it should be emptied immediately. Switch the motor off. Wait until the motor and blades stop.

Lift the discharge flap. Remove the grass catcher. Before reattaching the catcher, remove any obstructions from the cutting area. **Disconnect the safety key and battery before clearing debris from the cutting area.**

Mowing without the Grass Catcher

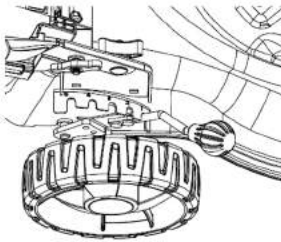
When working without the catcher, the mowed grass is ejected directly downwards or through the side discharge.





Attaching the Grass Catcher

To attach the grass catcher, lift the back cover on the lawn mower and expose the opening of the underside of the lawn mower deck. Attach the hooks at the top of the grass catcher to the spring bar that holds the back cover in place. The weight of the grass catcher will hold it in place. Let the back cover down to rest on the top of the grass catcher.



Adjusting the Cutting Height

The cutting height can be adjusted by pulling the wheel knobs out away from the mower and towards each wheel. This will release the lever from the current slot it is in. Set the desired height by moving the knob/lever forward or backward and settling it back into one of the cut-out slots.



CAUTION

Before performing any maintenance on the lawn mower, remove the battery.

Cleaning the Lawn Mower

Remove the battery. Remove the grass catcher. Do not use water or liquid detergents. Whenever possible, always clean the unit directly after mowing. After mowing, always clean the lawnmower with a hand brush. Remove grass residues carefully out of the cutting area. Remove stuck clipping deposits using a stiff brush. Keep the ventilation slots clean and dust-free.

Cleaning the Grass Catcher

For thorough cleaning, the grass catcher can be cleaned with a hose.

Replacing/Sharpening the Cutting Blade

To protect against injury from the cutting blade, have a lawn mower repair service replace or sharpen the cutting blade.

Repairs

Check the unit for damage. Repairs may be carried out by an authorized customer service center only.



Storage

Remove the safety key and remove the battery from the mower before storing. Store the lawn mower in a dry, dust-free and frost-free place ideally in a temperature range of 50° - 77°F (10-25 °C). Store the battery and the unit separately.

Folding the Lawn Mower

The handle bar can be folded down to facilitate storage and transport. Loosen the triangle knobs on either side of the upper handlebars and move the handlebar backwards.

Charge the battery before storing the unit in winter. Keep the unit, in particular its plastic components, away from brake fluids, petrol, petroleum products, penetrating oil, etc. They contain chemical substances which may damage, attack or destroy the plastic components of the unit.

Remove the battery from the lawn mower when not in use.



Disposal Information

Recycle raw materials instead of disposing as waste. Battery, accessories and packaging should be recycled in an environmentally friendly manner. Plastic parts are identified for recycling according to material type.



CAUTION

Do not use batteries with damaged casing.
Do not attempt to open batteries.
Do not dispose of in fire, water or household waste.

Warranty & Specifications

IMPORTANT NOTICE

We, the manufacturer, reserve the right to change the product and/or specifications in this manual without notification. The manual is for information usage only and the pictures and drawings depicted herein are for reference only.

Warranty Repair and Service

Do not return this product to the store for warranty issues or repair. Call our customer service department at **1-800-876-3009**, or visit **www.redbacktools.com** for the location of the nearest service center.

Record the information below for future reference.

Model No. _____

Serial No. _____

Date of Purchase _____

Place of Purchase _____

SKU/Part No.	E142C
Battery Type	Lithium-Ion
Description	40V Lithium Ion Cordless Lawn Mower
Rated Voltage	40 Volts DC
Idle Speed	3300rpm
Cutting Width	15.5 in.
Cutting Height	1 in. - 3 in.
Grass Catcher Capacity	10.5 Gallon
Wheel Size	10 in. (Rear), 7 in. (Front)
Shipping Weight	38 lbs (Without Battery)
Run Time	65 Min (Max)
Deck Size	17 in.
Sound Level	96 db
Warranty	1-Year



redback

For Service or Questions

1-800-876-3009

www.redbacktools.com

email us at support@redbacktools.com