



SERVICE PARTS

BULLETIN NO.
54-05-0035

SPECIFY CATALOG NO. AND SERIAL NO. WHEN ORDERING PARTS		REVISED BULLETIN	DATE
M12™ Compact Spot Blower			Dec. 2020
CATALOG NO. 0852-20	STARTING SERIAL NO. M16A	WIRING INSTRUCTION	

EXAMPLE:
Component Parts (Small #) Are Included
When Ordering The Assembly (Large #).

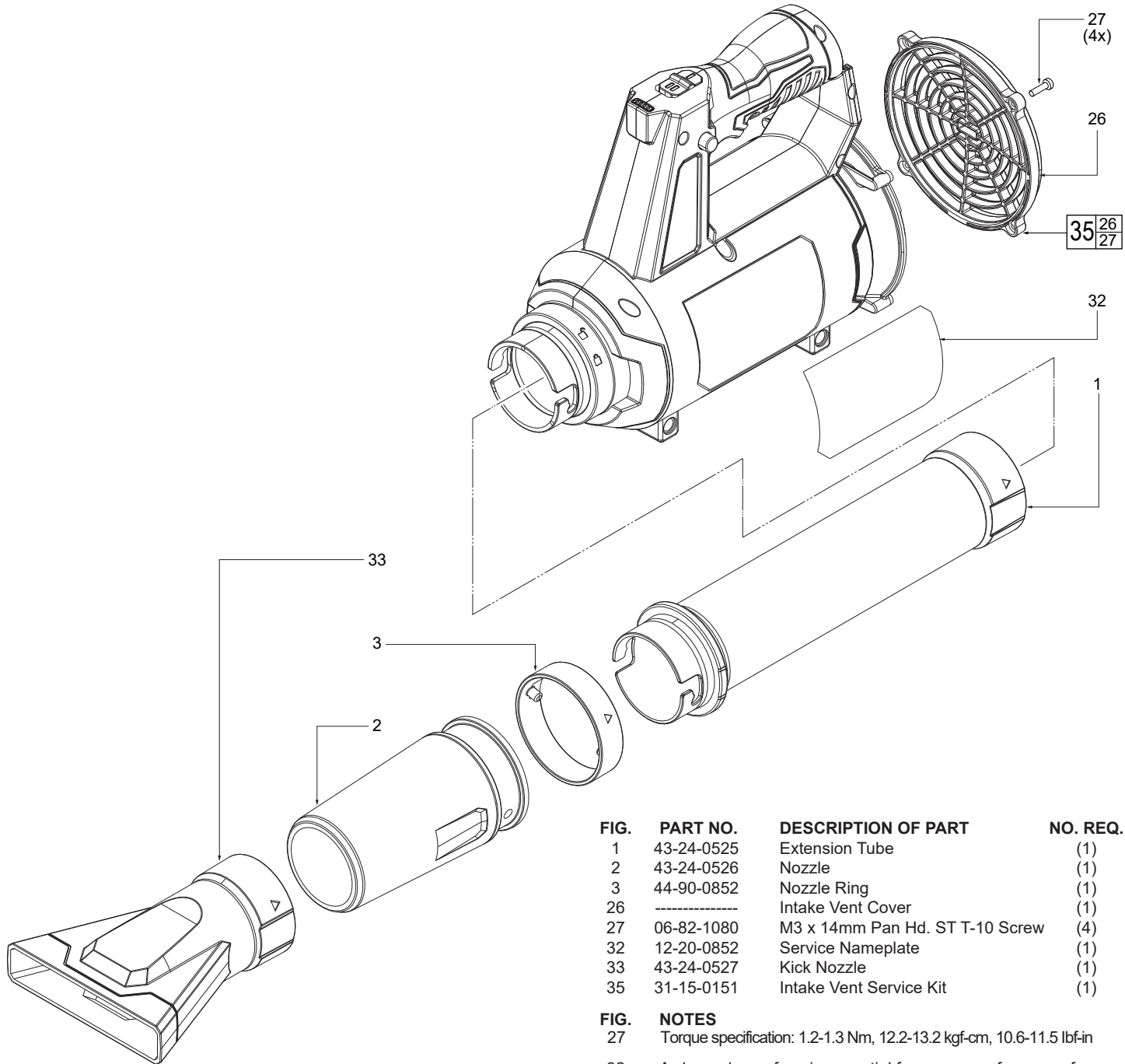


FIG.	PART NO.	DESCRIPTION OF PART	NO. REQ.
1	43-24-0525	Extension Tube	(1)
2	43-24-0526	Nozzle	(1)
3	44-90-0852	Nozzle Ring	(1)
26	-----	Intake Vent Cover	(1)
27	06-82-1080	M3 x 14mm Pan Hd. ST T-10 Screw	(4)
32	12-20-0852	Service Nameplate	(1)
33	43-24-0527	Kick Nozzle	(1)
35	31-15-0151	Intake Vent Service Kit	(1)

FIG. NOTES
27 Torque specification: 1.2-1.3 Nm, 12.2-13.2 kgf-cm, 10.6-11.5 lbf-in
32 A clean, dry surface is essential for proper performance for any adhesive system. The area intended for application of any adhesive label or nameplate must be prepared by cleaning with isopropyl alcohol. The solvent is to be applied with a clean, lint free applicator and the surface allowed to dry before applying any label or nameplate.