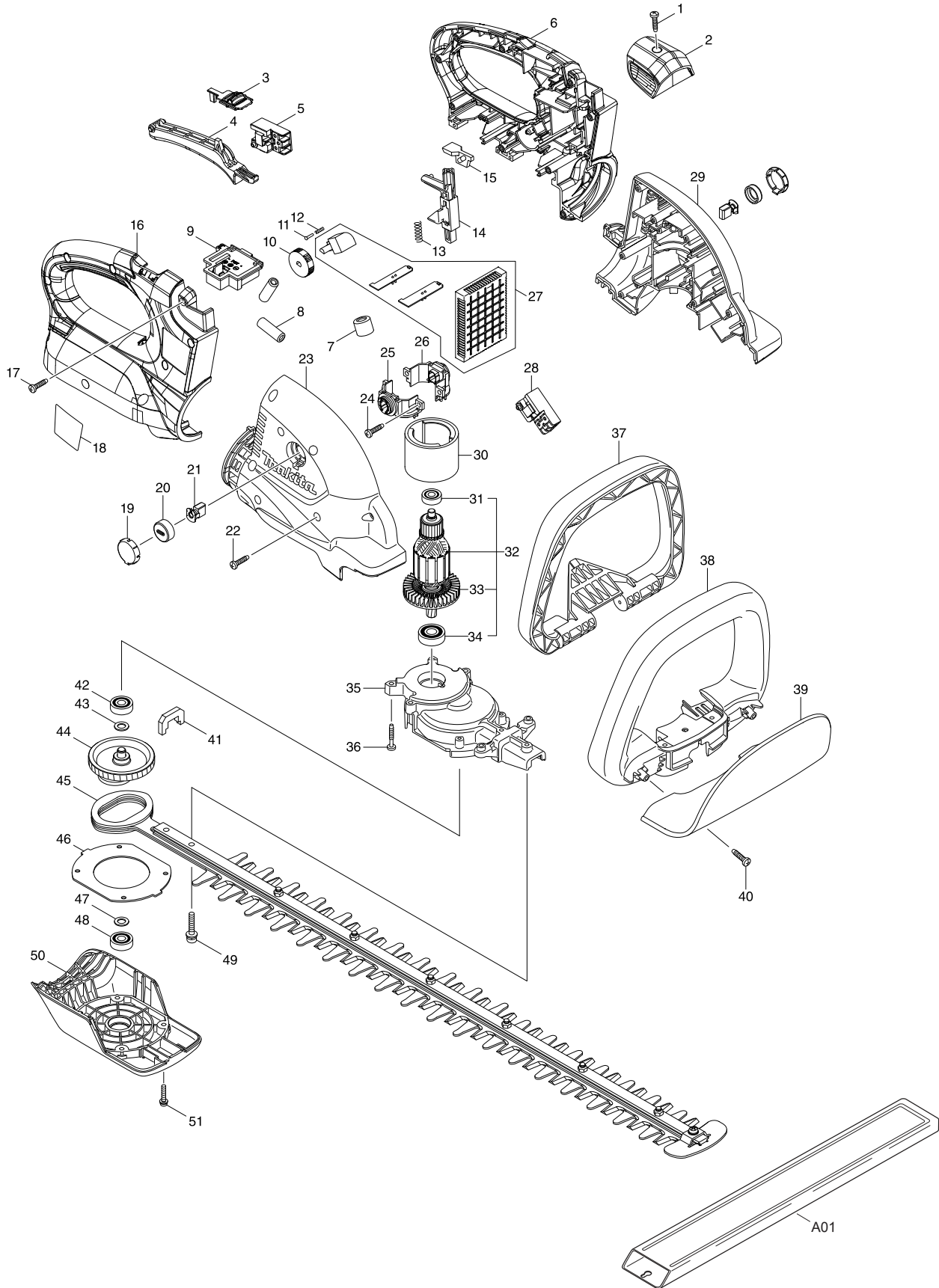




XHU04



Products with multiple versions are listed in subsiding order with the newest version on top not indented.

Section	Fig. No.	Part No.	Description	XHU04	Tech Bulletin	Notes
1	1	265995-6	TAPPING SCREW 4X18	1		
1	2	452164-0	KNOB	1		
1	3	455093-6	LOCK OFF LEVER	1		
1	4	455091-0	SWITCH LEVER A	1		
1	5	650730-9	SWITCH TG72BD-6	1		
1	6	187879-7	HANDLE SET	1		Includes 263005-3 and pos. 16
1		263005-3	RUBBER PIN 6	4		Not pictured
1	9	644808-8	TERMINAL	2		
1	10	271427-3	DIAL 28	1		
1	11	255058-6	RIVET 2	1		
1	12	233002-3	COMPRESSION SPRING 3	1		
1	13	233117-6	COMPRESSION SPRING 6	1		
1	14	452162-4	LOCK LEVER	1		
1	15	455092-8	SLIDER	1		
1	16	187879-7	HANDLE SET	1		Includes 263005-3 and pos. 6
1		263005-3	RUBBER PIN 6	4		Not pictured
1	17	265995-6	TAPPING SCREW 4X18	10		
1	18	815R02-9	XHU04 NAME PLATE	1		
1	19	452145-4	HOLDER CAP COVER	2		
1	20	643941-3	BRUSH HOLDER CAP	2		
1	21	CB442	CARBON BRUSH SET	1		
1	22	265995-6	TAPPING SCREW 4X18	8		
1	23	187878-9	HOUSING SET	1		Includes 263025-7 and pos. 29
1		263025-7	RUBBER PIN 4	4		Not pictured
1	24	265995-6	TAPPING SCREW 4X18	2		
1	25	644511-1	BRUSH HOLDER	1		
1	26	644512-9	BRUSH HOLDER	1		
1	27	620274-3	CONTROLLER	1		
1	28	650730-9	SWITCH TG72BD-6	1		
1	29	187878-9	HOUSING SET	1		Includes 263025-7 and pos. 23
1		263025-7	RUBBER PIN 4	4		Not pictured
1	30	638020-0	YOKE UNIT	1		
1	31	211021-9	BALL BEARING 607ZZ	1		
1	31	211022-7	BALL BEARING 607ZZ	1		

Products with multiple versions are listed in subsiding order with the newest version on top not indented.

Section	Fig. No.	Part No.	Description	XHU04	Tech Bulletin	Notes
1	32	519261-6	ARMATURE ASSEMBLY 36V	1		Includes 31, 33, 34
1	33	240045-8	FAN 55	1		
1	34	211062-5	BALL BEARING 6000ZZ	1		
1	35	140604-7	GEAR HOUSING COMPLETE	1		Includes 263002-9
1		263002-9	RUBBER PIN 4	1		Not pictured
1	36	265999-8	TAPPING SCREW 4X25	6		
1	37	452160-8	SWITCH LEVER B	1		
1	38	452158-5	FRONT GRIP	1		
1	39	142649-1	PROTECTOR COMPLETE	1		
1	40	265995-6	TAPPING SCREW 4X18	2		
1	41	443142-1	DUST GUARD	1		
1	42	211031-6	BALL BEARING 608ZZ	1		
1	42	211032-4	BALL BEARING 608ZZ	1		
1	43	253835-0	FLAT WASHER 8	1		
1	44	142215-4	GEAR COMPLETE	1		
1	45	196689-1	SHEAR BLADE ASSEMBLY SET	1		Assembly includes parts listed below
1		264013-7	HEX. LOCK NUT M5-8	7		Component of Assembly
1		257766-5	SLEEVE 5	9		Component of Assembly
1		265181-9	+TRUSS HEAD SCREW M5X20	7		Component of Assembly
1		345205-8	END COVER, UH5570	1		Component of Assembly
1		911208-0	PAN HEAD SCREW M5X10	1		Component of Assembly
1	46	346325-1	PLATE	1		
1	47	253835-0	FLAT WASHER 8	1		
1	48	211031-6	BALL BEARING 608ZZ	1		
1	48	211032-4	BALL BEARING 608ZZ	1		
1	49	265182-7	+ PAN HEAD SCREW M5X25	2		
1	50	452156-9	UNDER COVER	1		
1	51	911138-5	PAN HEAD SCREW M4X20	4		
1	A01	450490-1	BLADE COVER	1		
1	E01	632e32-5	FUSE UNIT, XHU04	1	A7128	Not pictured