

TOTO : WASHLET®

FIT CHART



WASHLET®
COMPARISON CHART

		S550e	S500e	S350e	S300e	*K300
		SW3056 (Contemporary) SW3054 (Classic)	SW3046 (Contemporary) SW3044 (Classic)	SW583 (Round)	SW573 (Round)	SW3036 (Elongated)
MSRP	COTTON (#01)	\$1,730	\$1,576	\$1,638	\$1,473	\$1,165
	SEDONA BEIGE (#12)	\$1,990	\$1,813	\$1,884	\$1,694	\$1,340
CLEANSE	REAR CLEANSE	•	•	•	•	•
	SOFT REAR CLEANSE	•	•	•	•	•
	FRONT CLEANSE	•	•	•	•	•
	WIDE FRONT CLEANSE	•	•	•	•	—
	OSCILLATING CLEANSE	•	•	•	•	•
	PULSATING CLEANSE	•	•	•	•	•
	INSTANTANEOUS WATER HEATING	•	•	•	•	•
	WATER PRESSURE CONTROL	5 SETTINGS	5 SETTINGS	5 SETTINGS	5 SETTINGS	5 SETTINGS
	WATER TEMPERATURE CONTROL	5 SETTINGS	5 SETTINGS	5 SETTINGS	5 SETTINGS	3 SETTINGS
	WAND POSITION ADJUSTMENT	•	•	•	•	•
AIR	AIR PURIFIER (DEODORIZER)	•	•	•	•	•
	AIR DRYER	•	•	•	•	•
	AIR TEMPERATURE CONTROL	5 SETTINGS	5 SETTINGS	5 SETTINGS	5 SETTINGS	3 SETTINGS
SEAT	HEATED SEAT	•	•	•	•	•
	HEATED SEAT TEMPERATURE CONTROL	5 SETTINGS	5 SETTINGS	5 SETTINGS	5 SETTINGS	3 SETTINGS
	SOFTCLOSE SEAT AND LID	•	•	•	•	•
SENSOR	SEAT SENSOR	•	•	•	•	•
	AUTOMATIC OPEN AND CLOSE LID	•	—	•	—	—
	AUTOMATIC FLUSH	—	—	—	—	—
	NIGHT LIGHT	•	•	•	•	—
REMOTE CONTROL	REMOTE CONTROL	•	•	•	•	•
	REMOTE CONTROLLED SEAT	•	•	•	•	—
	ON-DEMAND WAND CLEANING	•	•	—	—	•
HYGIENE	REMOVABLE LID	•	•	•	•	•
	PREMIST	•	•	•	•	•
	EWATER+®	•	•	•	•	•
	WAND CLEANING MODE	•	•	•	•	•
	SELF-CLEANING WAND	•	•	•	•	•
ENERGY SAVING	ENERGY-SAVER TIMER	3, 6, 9 HOURS	3, 6, 9 HOURS	3, 6, 9 HOURS	3, 6, 9 HOURS	6, 9 HOURS
	AUTO ENERGY SAVER	•	•	•	•	•
	ON/OFF BUTTON	•	•	•	•	•

RATED POWER USAGE		1288W	1287W	835W	835W
LENGTH OF POWER CORD		4 ft.	4 ft.	3.9 ft. (1.2 m)	3.9 ft. (1.2 m)
WASHLET NOZZLE FLOW RATE	REAR	9.1 - 14.5 oz./min.	9.1 - 14.5 oz./min.	9.1 - 14.5 oz./min.	9.1 - 14.5 oz./min.
	SOFT	10.8 - 14.5 oz./min.	10.8 - 14.5 oz./min.	10.8 - 14.5 oz./min.	10.8 - 14.5 oz./min.
	FRONT	9.8 - 14.5 oz./min.	9.8 - 14.5 oz./min.	9.8 - 14.5 oz./min.	9.8 - 14.5 oz./min.
	WATER TEMPERATURE	86°F - 104°F	86°F - 104°F	86°F - 104°F	86°F - 104°F
DRYER	AIR TEMPERATURE	95°F - 140°F	95°F - 140°F	95°F - 140°F	95°F - 140°F
	AIR VOLUME	10.24 ft ³ /min.	10.24 ft ³ /min.	10.24 ft ³ /min.	10.24 ft ³ /min.
HEATED SEAT TEMPERATURE		82° F - 97° F	82° F - 97° F	82° F - 97° F	82° F - 97° F
WATER SUPPLY PRESSURE		7 psi - 109 psi	7 psi - 109 psi	7 psi - 109 psi	7 psi - 109 psi
WATER SUPPLY TEMPERATURE		33°F to 95°F	33°F to 95°F	33°F to 95°F	33°F to 95°F
AMBIENT TEMPERATURE		33°F to 104°F	33°F to 104°F	33°F to 104°F	33°F to 104°F
SIZE	ELONGATED	15-5/16"W x 20-3/4"D x 3-15/16"H	15-5/16"W x 20-3/4"D x 3-15/16"H	—	—
	ROUND	—	—	15-5/16"W x 18-7/8D x 3-15/16"H	15-5/16"W x 18-7/8D x 3-15/16"H

		C5	C200	C2	C100	* KC2	◆ A100	A2
		SW3084 (Elongated)	SW2043R (Round)	SW3074	SW2033R (Round)	SW3024#01 (Elongated)	SW2014 (Elongated)	SW3004 (Elongated)
MSRP	COTTON (#01)	\$780	\$736	\$675	\$628	\$610	\$514	\$514
	SEDONA BEIGE (#12)	\$897	\$847	\$776	\$723			
CLEANSE	REAR CLEANSE	•	•	•	•	•	•	•
	SOFT REAR CLEANSE	•	•	•	•	•	•	•
	FRONT CLEANSE	•	•	•	•	•	•	•
	WIDE FRONT CLEANSE	–	–	–	–	–	–	–
	OSCILLATING CLEANSE	•	•	•	•	•	•	•
	PULSATING CLEANSE	•	•	•	–	•	–	–
	INSTANTANEOUS WATER HEATING	–	–	–	–	–	–	–
	WATER PRESSURE CONTROL	5 SETTINGS	5 SETTINGS	5 SETTINGS	5 SETTINGS	5 SETTINGS	5 SETTINGS	5 SETTINGS
	WATER TEMPERATURE CONTROL	3 SETTINGS	5 SETTINGS	3 SETTINGS	3 SETTINGS	3 SETTINGS	3 SETTINGS	3 SETTINGS
	WAND POSITION ADJUSTMENT	•	•	•	•	•	•	•
AIR	AIR PURIFIER (DEODORIZER)	•	•	•	•	–	–	–
	AIR DRYER	•	•	•	•	•	–	•
	AIR TEMPERATURE CONTROL	3 SETTINGS	5 SETTINGS	3 SETTINGS	3 SETTINGS	3 SETTINGS	–	3 SETTINGS
SEAT	HEATED SEAT	•	•	•	•	•	•	•
	HEATED SEAT TEMPERATURE CONTROL	3 SETTINGS	5 SETTINGS	3 SETTINGS	3 SETTINGS	3 SETTINGS	3 SETTINGS	3 SETTINGS
	SOFTCLOSE SEAT AND LID	•	•	•	•	•	•	•
SENSOR	SEAT SENSOR	•	•	•	•	•	•	•
	AUTOMATIC OPEN AND CLOSE LID	–	–	–	–	–	–	–
	AUTOMATIC FLUSH	–	–	–	–	–	–	–
	NIGHT LIGHT	–	–	–	–	–	–	–
REMOTE CONTROL	REMOTE CONTROL	•	•	SIDE PANEL	SIDE PANEL	SIDE PANEL	SIDE PANEL	SIDE PANEL
	REMOTE CONTROLLED SEAT	–	–	–	–	–	–	–
	ON-DEMAND WAND CLEANING	•	–	•	–	•	–	•
HYGIENE	REMOVABLE LID	•	•	•	•	•	•	•
	PREMIST	•	•	•	•	–	–	–
	EWATER+®	•	–	•	–	–	–	–
	WAND CLEANING MODE	•	•	•	•	•	•	•
	SELF-CLEANING WAND	•	•	•	•	•	•	•
ENERGY SAVING	ENERGY-SAVER TIMER	6, 9 HOURS	–	6, 9 HOURS	–	6, 9 HOURS	–	6, 9 HOURS-
	AUTO ENERGY SAVER	•	•	•	•	•	•	•
	ON/OFF BUTTON	•	–	•	–	•	–	•

RATED POWER USAGE		1274 W	403W	406W	403W	403W	292W	287W
LENGTH OF POWER CORD		3.9 ft. (1.2 m)	Maximum length 3.93 ft.	3.9 ft. (1.2 m)	Maximum length 3.93 ft.	3.9 ft. (1.2 m)	3.9 ft. (1.2 m)	3.9 ft. (1.2 m)
WASHLET NOZZLE FLOW RATE	REAR	9.1 - 14.5 oz./min.	9.1 - 14.5 oz. / min.	9.1 - 14.5 oz./min.	9.1 - 14.5 oz. / min.	9.1 - 14.5 oz./min.	9.1 - 14.5 oz./min.	9.1 - 14.5 oz./min.
	SOFT	10.8 - 14.5 oz./min.	9.1 - 14.5 oz. / min.	9.1 - 14.5 oz./min.	9.1 - 14.5 oz. / min.	9.1 - 14.5 oz./min.	9.1 - 14.5 oz./min.	9.1 - 14.5 oz./min.
	FRONT	9.8 - 14.5 oz./min.	9.8 - 14.5 oz. / min.	9.8 - 14.5 oz./min.	9.8 - 14.5 oz. / min.	9.8 - 14.5 oz./min.	9.8 - 14.5 oz./min.	9.8 - 14.5 oz./min.
WATER TEMPERATURE		86°F - 104°F	95°F - 104°F	86°F - 104°F	95°F - 104°F	95°F - 104°F	95°F - 104°F	95°F - 104°F
DRYER	AIR TEMPERATURE	95°F - 140°F	86°F - 140°F	104°F - 140°F	86°F - 140°F	95°F - 140°F	-	-
	AIR VOLUME	10.24 ft3/min.	9.54 ft3 / min.	9.54 ft3/min.	9.54 ft3 / min.	8.83 ft3 / min.	-	-
HEATED SEAT TEMPERATURE		82° F - 97° F	82° F - 97° F	82° F - 97° F	82° F - 97° F	82° F - 97° F	82° F - 97° F	82° F - 97° F
WATER SUPPLY PRESSURE		7 psi - 109 psi	7 psi - 109 psi	7 psi - 109 psi	7 psi - 109 psi	7 psi - 109 psi	7 psi - 109 psi	7 psi - 109 psi
WATER SUPPLY TEMPERATURE		33°F to 95°F	33°F to 95°F	33°F to 95°F	33°F to 95°F	33°F to 95°F	33°F to 95°F	33°F to 95°F
AMBIENT TEMPERATURE		33°F to 104°F	33°F to 104°F	33°F to 104°F	33°F to 104°F	33°F to 104°F	33°F to 104°F	33°F to 104°F
SIZE	ELONGATED	15-1/8"W x 20-7/8"D x 5-3/16"H	-	15 15/16"W x 20.5"D x 6-3/4"H	-	18-5/8"W x 20-7/8"D x 5-3/4"H	15-3/8"W x 20-7/8"D x 7-3/8"H	18-5/8"W x 20-7/8"D x 6-5/8"H
	ROUND	-	18-5/8"W x 20-7/8"D x 5-3/4"H	-	18-5/8"W x 20-7/8"D x 5-3/4"H	-	-	-

*ECOMMERCE only product

WASHLET®

COMPATIBILITY CHART

	SIZE	NAME	S550e/S500e	S350e/S300e	K300	C2/C5	C200/C100	KC2	A100
ONE-PIECE TOILETS	ELONGATED	AIMES®							
		AQUIA IV 1G							
		AQUIA IV							
		CAROLINA® II							
		CARLYLE® II 1G®							
		CARLYLE II							
		GUINEVERE®							
		LEGATO®	●	—	●	●	—	●	●
		PROMENADE® II 1G							
		PROMENADE II							
		ECO SOIREE®							
		SUPREME II							
		ECO ULTIMATE®							
		ULTRAMAX®							
		ULTRAMAX® II 1G							
		ULTRAMAX II							
	ROUND	ULTIMATE	—	●	—	—	●	—	—
		ULTRAMAX							

	SIZE	NAME	S550e/S500e	S350e/S300e	K300	C5/C2	C100/C200	KC2	A100
TWO-PIECE TOILETS	ELONGATED	AQUIA IV** 1G							
		AQUIA IV**							
		ECO CLAYTON®							
		CONNELLY®**							
		ECO DARTMOUTH®							
		DRAKE®							
		DRAKE II 1G							
		DRAKE II	●	—	●	●	—	●	●
		ENTRADA							
		NEXUS® 1G							
		NEXUS							
		PROMENADE II 1G							
		PROMENADE II							
		VESPIN® II 1G							
		VESPIN® II							
			ROUND	DRAKE II					—
DRAKE	—			●	—	—		—	—
DRAKE II 1G							●		
PROMENADE									
WALL-HUNG TOILETS	ELONGATED	AP	●	—	●	●	—	●	●
		EP							

*Extension kit THU9090R required

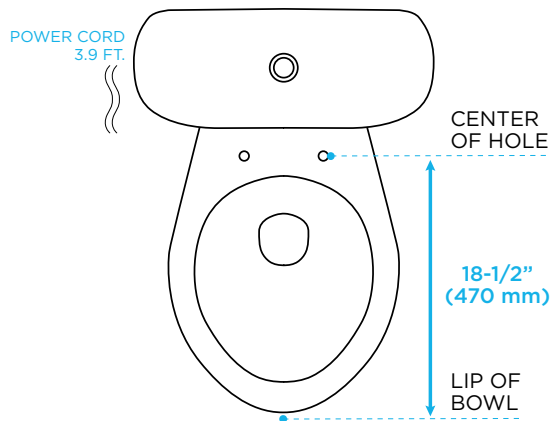
**Extension kit 9AU321-A required

WASHLET® INSTALLATION REQUIREMENTS

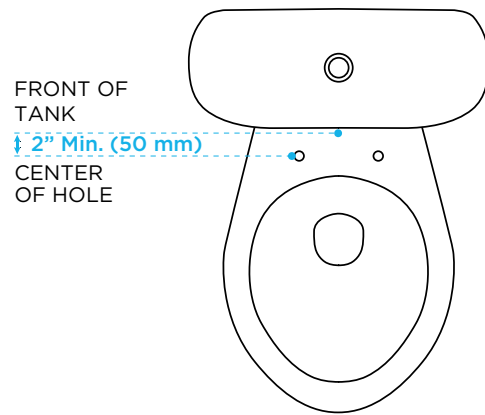
For when your existing toilet is in need of an upgrade.

The following four-part diagram details the approximate measurements and requirements for installing most WASHLET models on existing toilets. Note that some styles of toilets may not allow the WASHLET to fit properly due to certain contours where the tank meets the bowl.

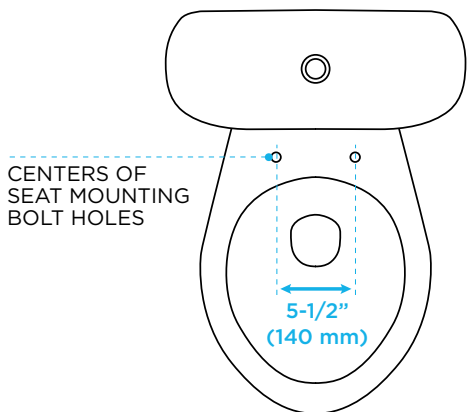
ELONGATED FRONT WASHLET



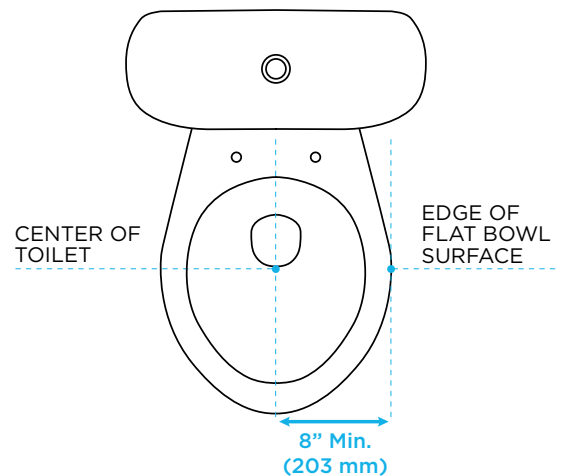
1. Elongated seats approximately 18-1/2 inches (470 mm) from mounting holes to front of bowl.



2. Minimum of 2 inches (50 mm) from front face of tank to the center of mounting holes.

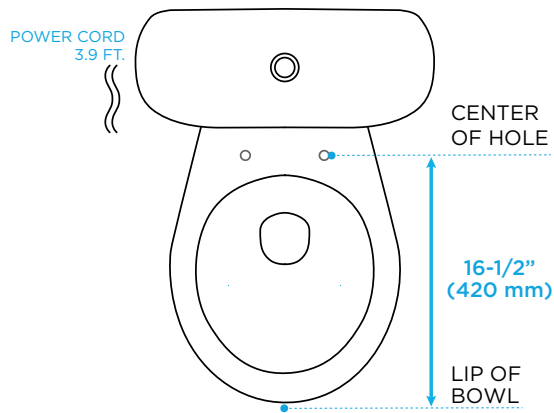


3. Approximately 5-1/2 inches (140 mm) from the centers of the seat mounting holes.

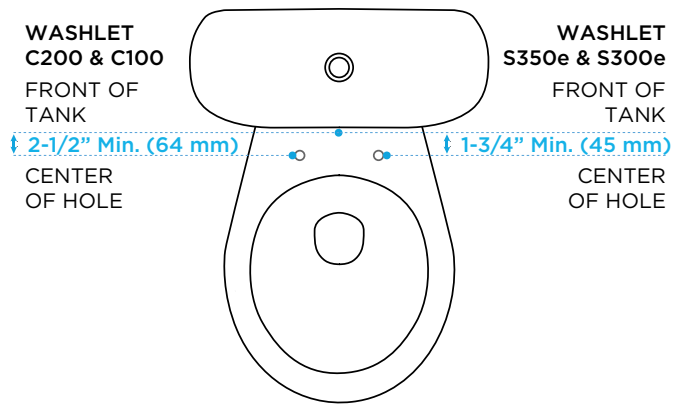


4. Minimum of 8 inches (203 mm) of open space from center of toilet to edge of flat bowl surface.

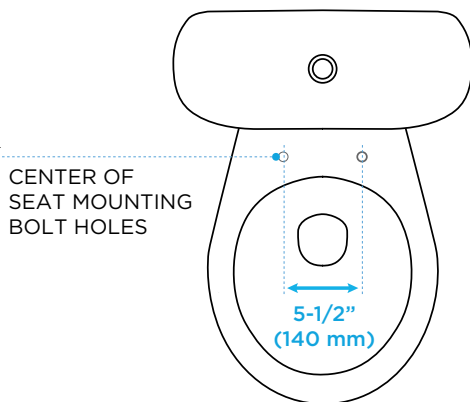
ROUND FRONT WASHLET



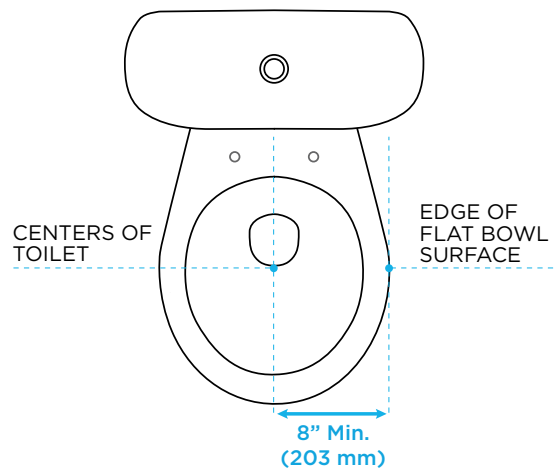
1. Round seats approximately 16-1/2 inches (420 mm) from mounting holes to front of bowl.



2. Minimum requirement for front face of tank to the center of mounting holes:
C100 & C200: 2-1/2 inches (64 mm)
S350e & S300e: 1-3/4 inches (45 mm)



3. Approximately 5-1/2 inches (140 mm) from the centers of the seat mounting holes.



4. Minimum of 8 inches (203 mm) of open space from center of toilet to edge of flat bowl surface.

TOTO USA, INC.
1155 SOUTHERN ROAD
MORROW, GA 30260
800-350-8686

www.washlet.com
www.totousa.com