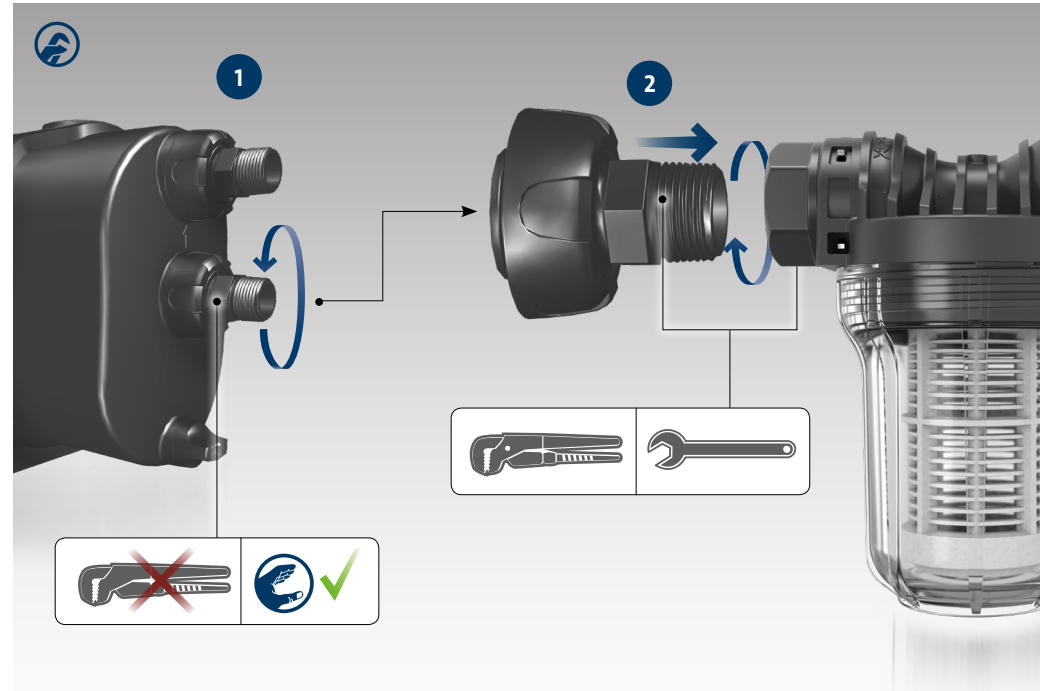
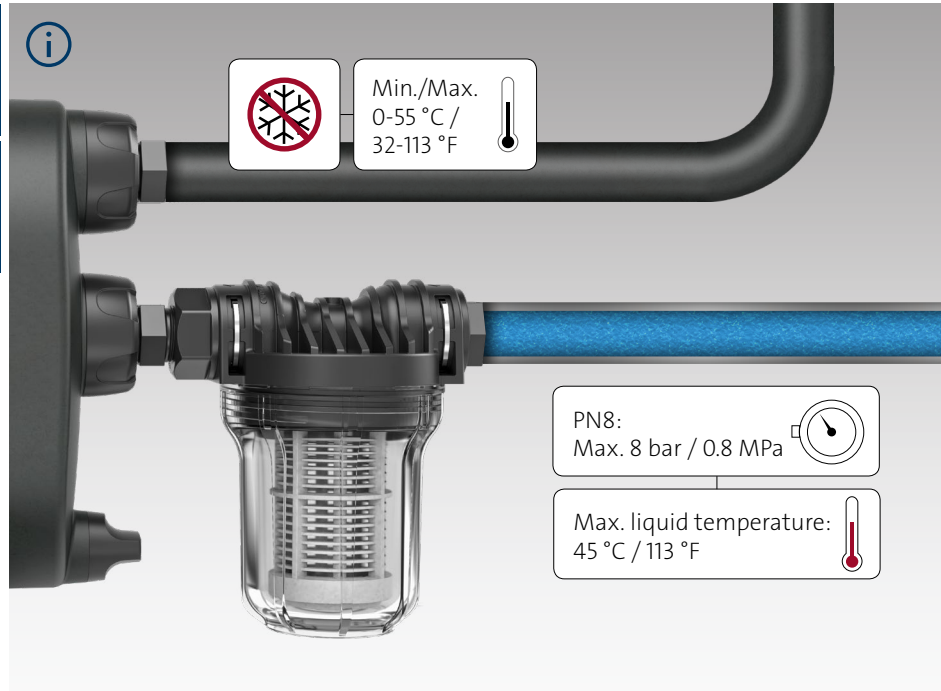




# INLET FILTER



<http://qr.grundfos.com/i/99735562>

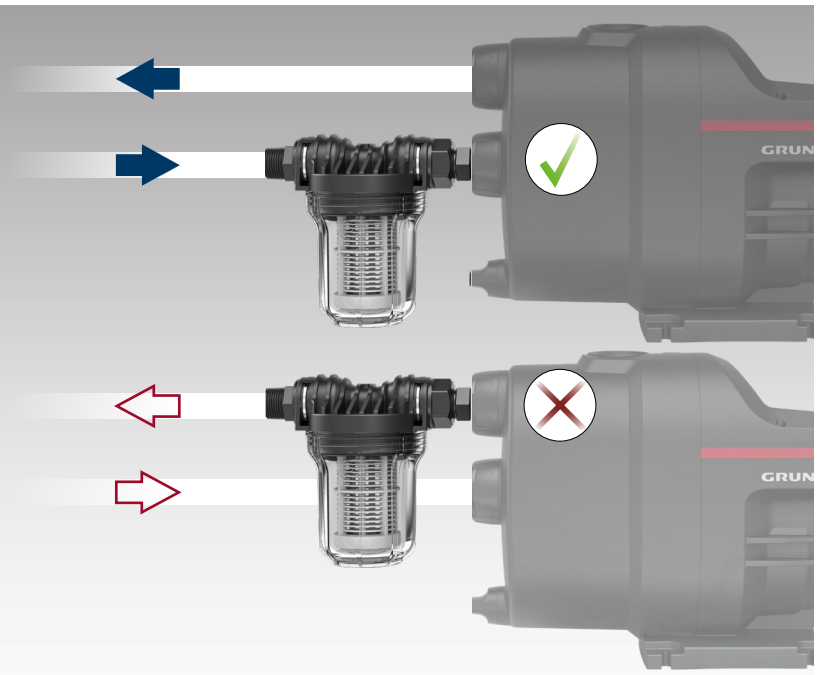
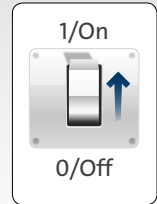
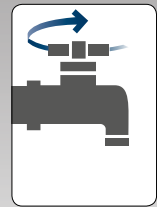


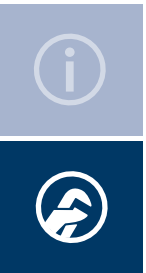


3



4





5



NOTES:

