

Aquia® IV Two-Piece Toilet - 1.28 & 0.9 GPF

FEATURES

- DYNAMAX TORNADO FLUSH® utilizes 360° cleaning power to reach every part of the bowl
- Ultra high-efficiency dual flush 1.28 & 0.9 GPF (4.8 & 3.4 LPF)
- CEFIONTECT® ceramic glaze minimizes waste from sticking to porous ceramic surfaces
- Completely skirted design for a sleek and understated look that's easier to clean
- Specially designed to accommodate a WASHLET®+
- Elongated front bowl, seat and tank set
- UNIVERSAL HEIGHT
- Chrome push-button
- 12" Rough-in

MODELS

- **MS446124CEMFGN (#01, #03, #11, #12)**
With CEFIONTECT ceramic glaze & includes SS124 SoftClose® seat
- **MS446124CEMFN (#51)**
Same as MS446124CEMFGN without CEFIONTECT ceramic glaze

COMPONENTS

- **CT446CEFGNT40**
Elongated bowl with CEFIONTECT
- **ST446EMNA**
Tank and cover only
- **SS124**
SoftClose seat

OPTIONAL COMPONENTS

- **SS234**
Slim Elongated SoftClose Seat
- **TSU48.10**
10" Unifit Rough-In
- **TSU48.14**
14" Unifit Rough-In
- **9AU321-A**
WASHLET® adapter
(Required for WASHLET installation)
- **THU842#01-A**
Push Button Assembly - Cotton
- **THU842#PN-A**
Push Button Assembly - Polished Nickel
- **THU842#BN-A**
Push Button Assembly - Brushed Nickel

COLORS/FINISHES

- #01 Cotton
- #12 Sedona Beige



**DYNAMAX
TORNADO FLUSH**



UNIVERSAL HEIGHT



CEFIONTECT

PRODUCT SPECIFICATION

The two-piece, ultra high-efficiency, DYNAMAX TORNADO FLUSH toilet shall be dual flush 1.28 GPF/0.9 GPF. Toilet shall be coated with CEFIONTECT, elongated front bowl, high profile tank, UNIVERSAL HEIGHT, complete skirted bowl and chrome push-button.

Toilet shall be TOTO Model MS446124CEMF(G)N_____.

CODES/STANDARDS

- Meets and exceeds ASME A112.19.2/CSA B45.1, ASME A112.19.14
- Certifications: IAPMO(cUPC®), EPA WaterSense, State of Massachusetts and others
- Code Compliance: UPC, IPC, NSPC, NPC Canada, and others
- Legislative Compliance: California Green Building Code, City of Los Angeles Water Efficiency Ordinance, and others
- Complies with CA Prop 65 warning requirements



MS446124CEMF(G)N

Aquia® IV Two-Piece Toilet - 1.28 & 0.9 GPF

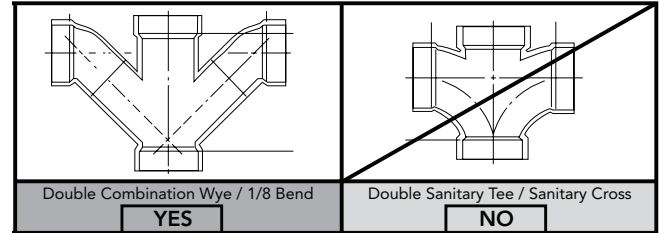
SPECIFICATIONS

Water Use	1.28 & 0.9 GPF (4.8 & 3.4 LPF)
Flush System	DYNAMAX TORNADO FLUSH®
Min. Water Pressure	8 psi (Flowing)
Water Surface	7" x 5"
Trap Diameter	2-1/4"
Rough-in	12" (10" and 14" options available)
Trap Seal	2-1/8"
Warranty	One Year Limited Warranty
Material	Vitreous China
Shipping Weight	CT446CEF(G)NT40 83 lbs. ST446EMNA 29 lbs.
Shipping Dimensions	CT446CEF(G)NT40 29-5/8" L x 16-3/8" W x 19-3/4" H ST446EMNA 17-1/4" L x 7-7/8" W x 17-1/2" H

INSTALLATION NOTES

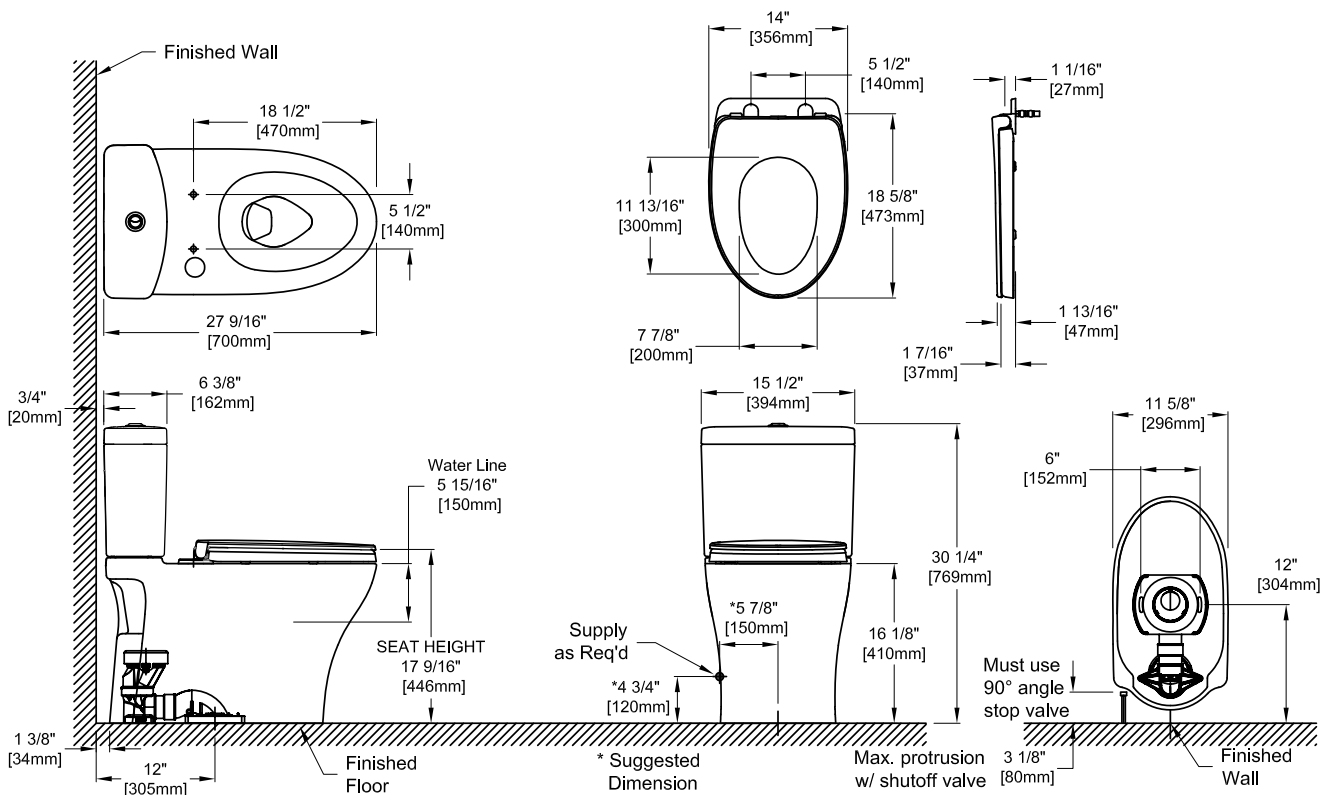
Back-to-Back Toilet Installations:

TOTO recommends the use of a nationally listed, double sanitary tee-wye only, in vertical waste stacks, in accordance with the stipulations noted in the majority of nationally recognized plumbing codes.



To maintain adequate wall gap between the back of the tank and wall, mount the floor flange at a nominal 12" rough-in distance.

DIMENSIONS



TOTO®

These dimensions and specifications are subject to change without notice