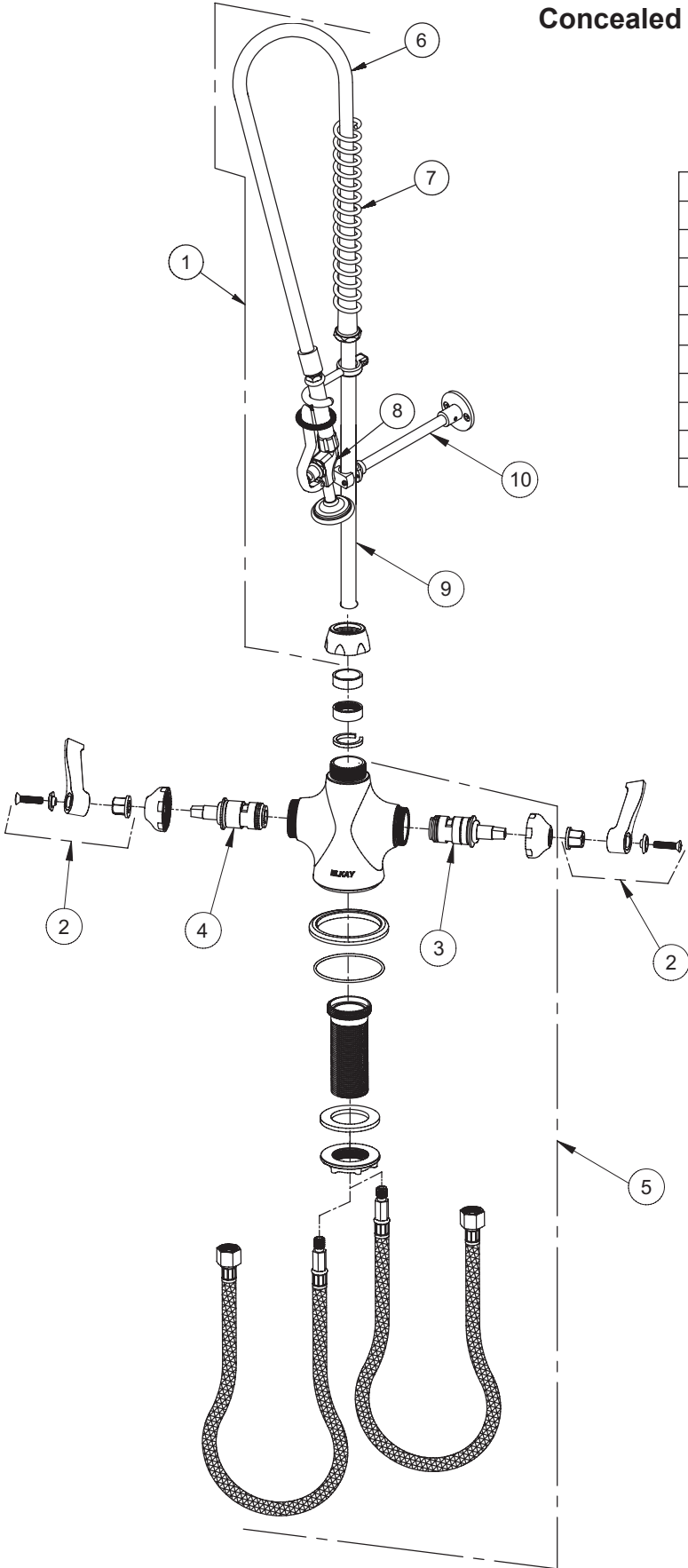




REPLACEMENT PARTS

Concealed Deck Pre-Rinse Commercial Faucet Model LK543C



ITEM	IND. PART	DESCRIPTION
1	45938C	Pre-Rinse Assembly
2	45918C	Handle, 2"
3	45923C	Right Cold Cartridge
4	45924C	Left Hot Cartridge
5	45915C	Body
6	45943C	44" Hose
7	45944C	Spring
8	45942C	Spray Valve
9	45945C	Tall Riser
10	45946C	Support Rod