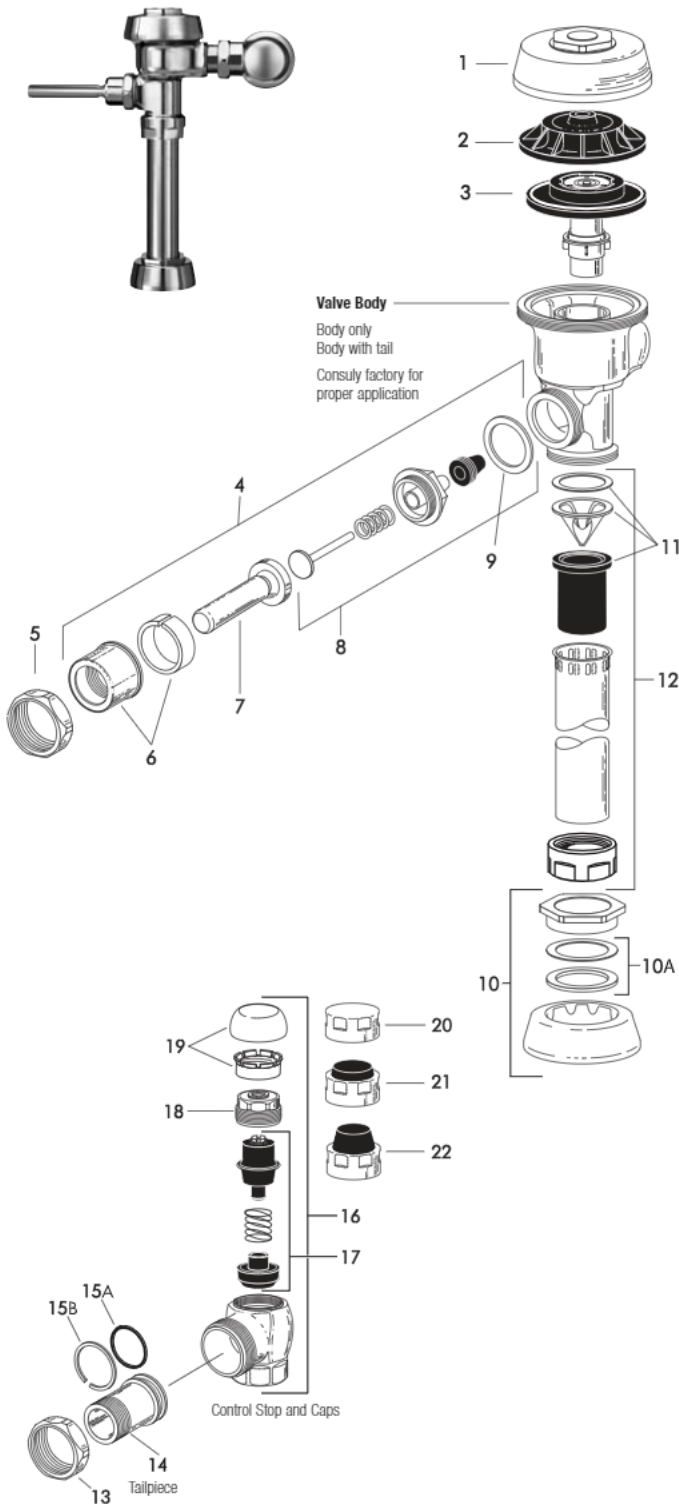


Royal® Flushometer



Valve Body
Body only
Body with tail
Consult factory for
proper application

PARTS LIST

| Item No. | Code No. | Part No. | Description |
|----------|---|-----------|--|
| 1. | 0301172 | A-72 | CP Cover |
| | — | A-72-HE | CP High Efficiency Cover |
| 2. | 0301168 | A-71 | Inside Cover |
| 3. | — | | Dual Filtered Bypass Diaphragm Assembly (refer to table and diagram on following page) |
| 4. | 0302390 | B-73-A | CP ADA-Compliant Triple Seal Handle Assembly |
| 5. | 0301082 | A-6 | CP Handle Coupling |
| 6. | 0302109 | B-7-A | CP Socket Assembly |
| 7. | 0302389 | B-74-A | CP ADA-Compliant Handle |
| 8. | 3302306 | B-51-A | Triple Seal Handle Repair Kit |
| 9. | 5301139 | A-31 | Handle Gasket – 48 per package |
| 10. | 0306125 | F-5-AW | 3/4" (19 mm) CP Spud Coupling Assembly |
| | 0306140 | F-5-AU | 1-1/4" (32 mm) CP Spud Coupling Assembly |
| | 0306146 | F-5-AT | 1-1/2" (38 mm) CP Spud Coupling Assembly |
| 10A. | SEE SLIP JOINT GASKETS AND RINGS TABLE BELOW | | |
| 11. | 3323182 | V-651-A | High Back Pressure Vacuum Breaker Repair Kit |
| 12. | 3393004 | V-600-AA | 3/4" (19 mm) x 9" (228 mm) CP Vacuum Breaker |
| | 3393006 | V-600-AA | 1-1/4" (32 mm) x 9" (228 mm) CP Vacuum Breaker |
| | 3393007 | V-600-AA | 1-1/2" (38 mm) x 9" (228 mm) CP Vacuum Breaker |
| 13. | 0308676 | H-550 | CP Stop Coupling |
| 14. | 0308801 | H-551-A | CP Adjustable Tailpiece 2-1/16" (52 mm long) Standard Length* |
| 15A. | 5308696 | H-553 | O-ring – 24 per package |
| 15B. | 5308381 | H-552 | Locking Ring – 12 per package |
| 16. | 3308386 | H-700-A | 1" (25 mm) CP Bak-Chek® Screwdriver Stop |
| | 3308384 | H-700-A | 3/4" (19 mm) CP Bak-Chek® Screwdriver Stop |
| 17. | 3308853 | H-541-ASD | Control Stop Repair Kit † |
| | 3308856 | H-543-ASD | Control Stop Repair Kit † |
| 18. | 0308612 | H-622 | CP Bonnet † |
| | 0308843 | H-577 | CP Bonnet † – DISCONTINUED |
| 19. | 3308772 | H-1010-A | Vandal Resistant Control Stop Cap Assembly † |
| | 3308790 | H-1009-A | Vandal Resistant Control Stop Cap Assembly † H-600 3/4" Stop only |
| 20. | 0308738 | H-573 | Control Stop Cap CP † |
| | 0308848 | H-582 | Control Stop Cap CP † |
| 21. | 3308866 | H-574 | Control Stop Cap with Bumper † (-YO Variation) |
| 22. | 3308867 | H-576 | Control Stop Cap with Extended Bumper † (-YG Variation) |

* See pages 100-101 for additional lengths

† For use with 1" and 3/4" H-700-A and 1" H-600-A Bak-Chek® screwdriver control stop

‡ For use with 3/4" H-600-A Bak-Chek® screwdriver control stop

Sloan products are also available in satin, brushed nickel, chrome, gold and polished brass finishes – contact factory for part numbers.

ITEM 10A. SLIP JOINT GASKETS AND RINGS

| Size | Code No. | Part No. | Description |
|-----------------|-----------------|----------|--------------------------------|
| 1-1/2" | 5306058 | F-3 | Red Friction Ring |
| | 5322001 | VBF-5 | Black Slip Joint Gasket |
| | 0319086/5319086 | S-30 | Flexible Seat |
| | 0319079 | S-21 | Rigid Seat (rubber over brass) |
| 1-1/2" x 1-1/4" | 0396062 | F-105 | Slip Joint Gasket – Rigid |
| | 5306057 | F-3 | Red Friction Ring |
| 1-1/4" | 5322176 | VBF-5 | Black Slip Joint Gasket |
| | 0307052/5307052 | G-21 | Rigid Seat (rubber over brass) |
| | 5306056 | F-3 | Red Friction Ring |
| 1" | 5306115 | F-5 | Black Slip Joint Gasket |
| | 5306055 | F-3 | Red Friction Ring |
| 3/4" | 5306113 | F-5 | Black Slip Joint Gasket |

TAILPIECES, CONTROL STOPS AND FLUSH CONNECTIONS

For additional information on tailpieces, control stops and flush connections see Showerheads, Parts and Accessories Tab.