

# Dolphin® Model Flushometer

# Type I Class B Rigid Installation

► **Description**

Exposed Water Closet Flushometer, for floor mounted or wall hung 1½" top spud bowls. Specifically engineered for salt water and severe water conditions. Meets U.S. Navy Bureau of Ships Specifications.

► **Flush Cycle**

☐ Model Type I—Class B Rigid Installation (factory set at 3.5 gpf/13.2 Lpf)

Valve Adjustment Range: 0.5 gpf/1.9 Lpf to 16.0 gpf/60.6 Lpf

Factory settings made at 40 psi (275 kPa) — flush volume will vary with pressure and flow rate

► **Specifications**

Quiet, Exposed, Chrome Plated Closet Flushometer with the following features:

- Metal Lever Handle
- 1" I.P.S. Screwdriver Bak-Chek™ Angle Stop
- Vandal Resistant Stop Cap
- Ground Joint Tailpiece
- Flush Connection, Spud Coupling and Flange for 1½" Top Spud
- Flushometer does not require water pressure to positively shut off
- High Copper, Low Zinc Brass Castings for Dezincification Resistance
- Non-Hold-Open Handle and No External Volume Adjustment to Ensure Water Conservation
- Handle Packing, Stop Seat and Vacuum Breaker to be Molded from PERMEX™ Rubber Compound for Chloramine Resistance

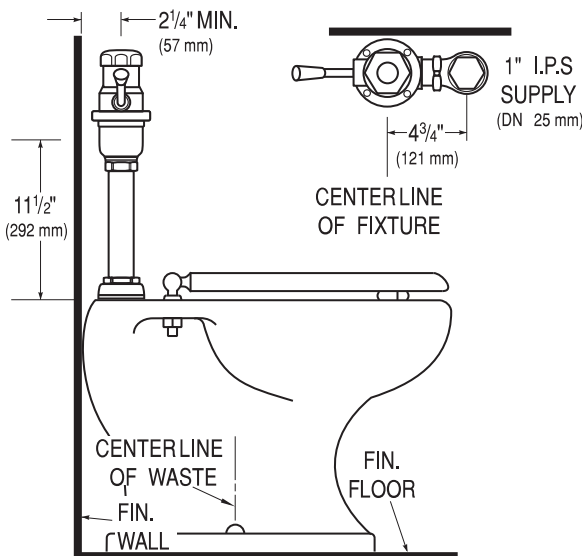
Valve Body, Cover, Tailpiece and Control Stop shall be in conformance with ASTM Alloy Classification for Red Brass. Valve shall be in compliance to the applicable sections of ASSE 1037.

► **Variations**

☐ 1" Sil-braze Inlet Adapter

► **Accessories**

See Accessories Section of the Sloan catalog for details on these and other Flushometer variations.



## Made In The USA

This space for Architect/Engineer approval

The information contained in this document is subject to change without notice.

# SLOAN®

SLOAN VALVE COMPANY • 10500 SEYMOUR AVE. • FRANKLIN PARK, IL. 60131

Ph: 1-800-9-VALVE-9 or 1-847-671-4300 • Fax: 1-800-447-8329 or 1-847-671-4380

<http://www.sloanvalve.com>