

► **Code Number**

3057050

► **Description**

Exposed Urinal Flushometer. Specifically engineered for salt water and severe water conditions. Meets U.S. Navy Bureau of Ships Specifications.

► **Flush Cycle**

Factory settings made at 40 psi (275 kPa) — flush volume will vary with pressure and flow rate.

1.0 gpf/3.8 Lpf

Valve Adjustment Range: 0.25 gpf/0.9 Lpf to 12.0 gpf/45.4 Lpf  
 Factory settings made at 40 psi (275 kPa) — flush volume will vary with pressure and flow rate.

► **Specifications**

Quiet, Exposed, Chrome Plated Urinal Flushometer with the following features:

- Metal Lever Handle
- Ground Joint Tailpiece
- Vandal Resistant Stop Cap
- ¾" I.P.S. Screwdriver Bak-Chek™ Angle Stop with ½" Inlet Adapter with Vandal Resistant Stop Cap
- ¾" Scored Outlet with ½" Offset and ¾" x ½" Reducer for ½" Spud
- Flushometer does not require water pressure to positively shut off
- Non-Hold-Open Handle and No External Volume Adjustment to Ensure Water Conservation
- Handle Packing, Stop Seat and Vacuum Breaker to be Molded from PERMEX® Rubber Compound for Chloramine Resistance
- High Copper, Low Zinc Brass Castings for Dezincification Resistance

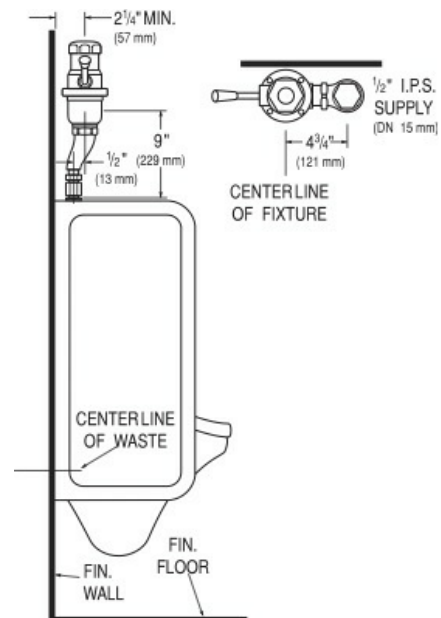
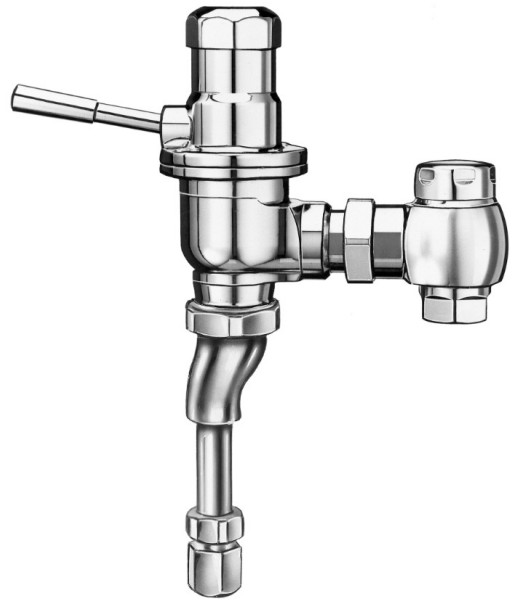
Valve Body, Cover, Tailpiece and Control Stop shall be in conformance with ASTM Alloy Classification for Red Brass. Valve shall be in compliance to the applicable sections of ASSE 1037 and ANSI/ASME 112.19.2.

► **Variations**

½" Sil-braze Inlet Adapter

► **Accessories (Sold Separately)**

See Accessories Section of the Sloan catalog for available accessories



► **Compliance & Certifications**

Made In The  
**USA**



This space for Architect/Engineer Approval