

4 - INSTALL FLUSHOMETER

NOTE

For high efficiency urinal flushometers (0.5, 0.25 and 0.125 gpf), it is necessary to first insert the flow control component into the tailpiece assembly. See the H1015A flow control kit and separate instructions for details on how to install.

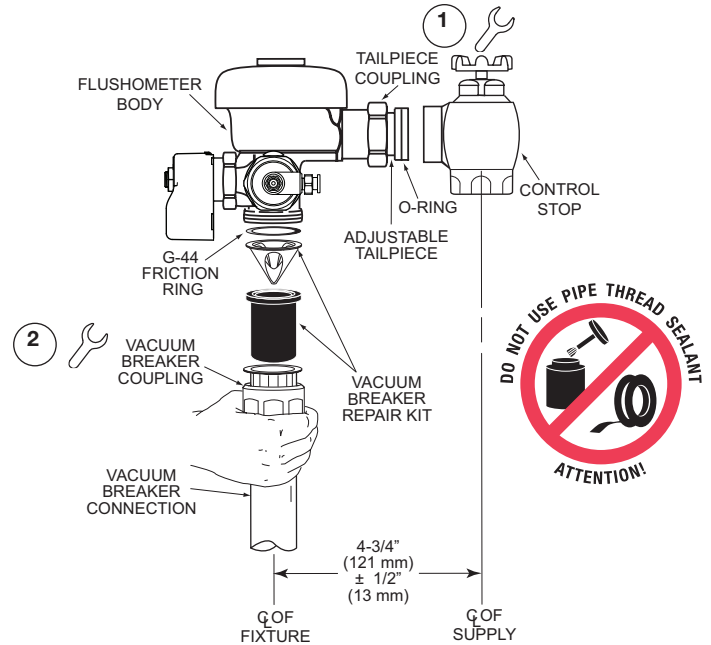
- A** Lubricate tailpiece o-ring with water. Insert adjustable tailpiece into control stop. Tighten tailpiece coupling by hand.
- B** Align flushometer directly above the vacuum breaker flush connection by sliding the flushometer Body IN or OUT as needed. Tighten vacuum breaker coupling by hand.
- C** Align flushometer body and securely tighten first the tailpiece coupling (1), then the vacuum breaker and pipe couplings (2), and finally the spud coupling. Use a wrench to tighten these couplings in the order shown.

NOTE

Max. adjustment of Sloan Adjustable Tailpiece is $\frac{1}{2}$ " (13 mm) IN or OUT from the standard $4\frac{3}{4}$ " (121 mm) (C_L of Valve to C_L of Control Stop).
If roughing-in measurement exceeds $5\frac{1}{4}$ " (133 mm), consult factory for longer tailpiece.

IMPORTANT!!!

USE A Sloan A-50 "Super-Wrench™" OR SMOOTH JAWED SPUD WRENCH TO SECURE ALL COUPLINGS. THIS WILL ELIMINATE DAMAGE TO FINISH THAT NORMALLY OCCURS WHEN SLIP-JOINT PLIERS, PIPE WRENCHES OR OTHER "TOOTHED" TOOLS ARE USED.



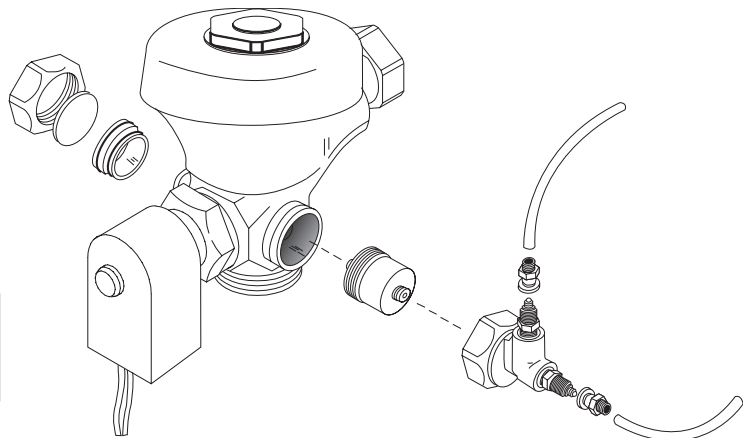
5 - INSTALL VALVE ACTUATOR

- A** Cut off excess plastic tubing so that there will be about 3 to 4 inches (72 to 102 mm) of slack when actuator is installed. If the "L" and "O" markings on the tubing will be cut off, remark tubing appropriately so as not to lose identification.
- B** Remove tube fitting nuts from valve actuator and slide one nut onto each plastic tube.
- C** Slide plastic tubing onto its corresponding valve actuator fitting and tighten tube fitting Nuts.

NOTE

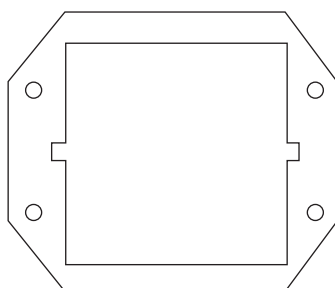
Observe the "L" and "O" markings on push button actuator. Mark each tube so that it can be identified and connected to corresponding fittings marked "L" and "O" on valve actuator housing.

- D** Install valve handle cap and adapter assembly (EL-190-A) on valve opening not used by hydraulic actuator assembly (typically in back of valve body).



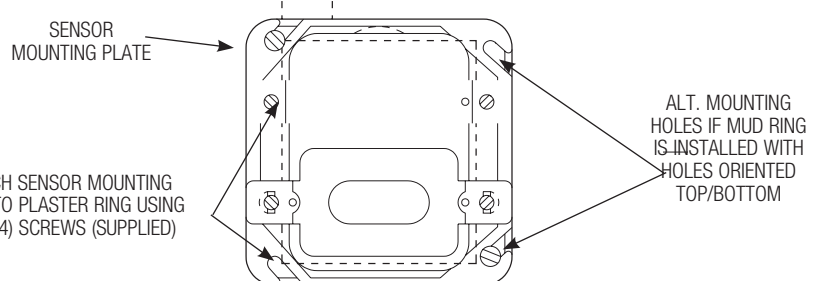
6 - INSTALL SENSOR BOX MOUNTING PLATE

- A** Install sensor mounting plate using the screws provided.

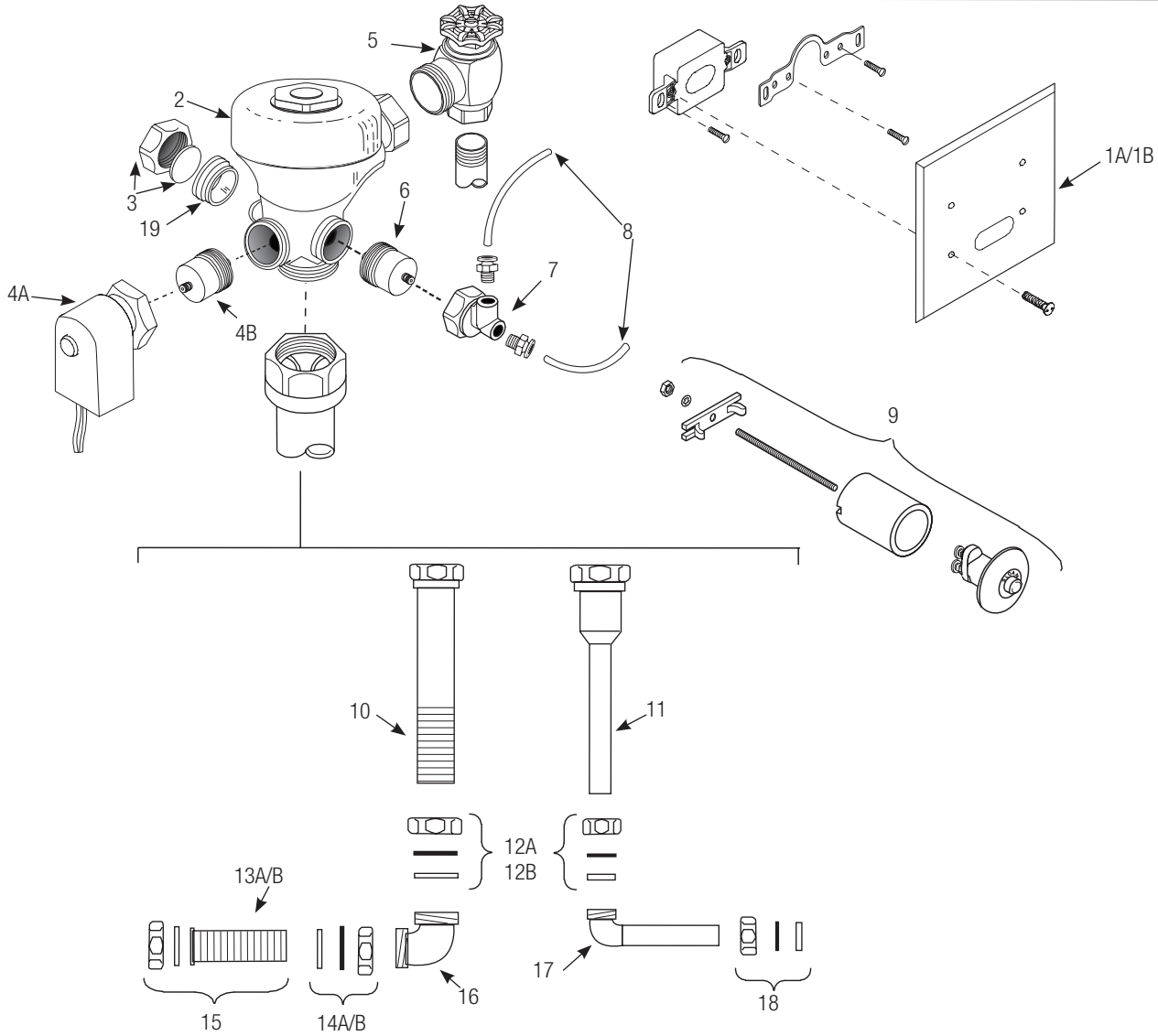


Preferred Mud Ring Orientation

SENSOR BOX MOUNTING PLATE



PARTS LIST



Item No.	Part No.	Description
1A	EL-1011-A	CP Cover Plate with Sensor (Mounting Screws included) (Model 152)
1B	EL-1007-A	CP Cover Plate with Sensor (Mounting Screws included) (Model 195)
2	‡	Valve Assembly
3	A-1013-A	Concealed Valve Handle Cap RB
4A	EL-138-2	RB Concealed 24V Solenoid Assembly
4B	EL-128-A	Cartridge Assembly
5	H-730-A	RB Bak-Chek® Control Stop
6	HY-83-A	Actuator Cartridge
7	HY-109-A-1	Valve Actuator Assembly
8	HY-30	¼" (6 mm) x 48" (1219 mm) Connecting Tubes
10	V-500-AA	1½" (38 mm) Vacuum Breaker Assembly RB (Model 152)
11	V-500-AA	¾" (19 mm) Vacuum Breaker Assembly RB (Model 192)

Item No.	Part No.	Description
12A	F-2-AT	1½" (38 mm) Slip Joint Coupling Assembly RB (Model 152)
12B	F-2-AW	¾" (19 mm) Slip Joint Coupling Assembly RB (Model 192)
13A	F-110	1¼" (32 mm) Outlet Tube with Flange and Scoring (Model 152)
13B	F-100	1½" (38 mm) Outlet Tube with Flange and Scoring (Model 152)
14A	F-2-AU	1¼" (32 mm) Slip Joint Coupling Assembly RB (Model 152)
14B	F-2-AT	1½" (38 mm) Slip Joint Coupling Assembly RB (Model 152)
15	F-2-A	1½" (38 mm) Coupling with S-21 Gasket (Model 152)
16	F-21	1½" (38 mm) Double Male Slip Joint Elbow
17	F-15-A	ELL with ¾" (19 mm) Tail
18	F-2-AW	¾" (19 mm) Slip Joint Coupling
19	EL-190-A	Adapter Assembly

‡ Part number varies with valve model variation; consult factory.
The information contained in this document is subject to change without notice.

SLOAN • 10500 SEYMOUR AVENUE • FRANKLIN PARK, IL 60131

Phone: +1.800.982.5839 or +1.847.671-4300 • Fax: +1.800-447.8329 or +1.847.671.4380 • www.sloan.com