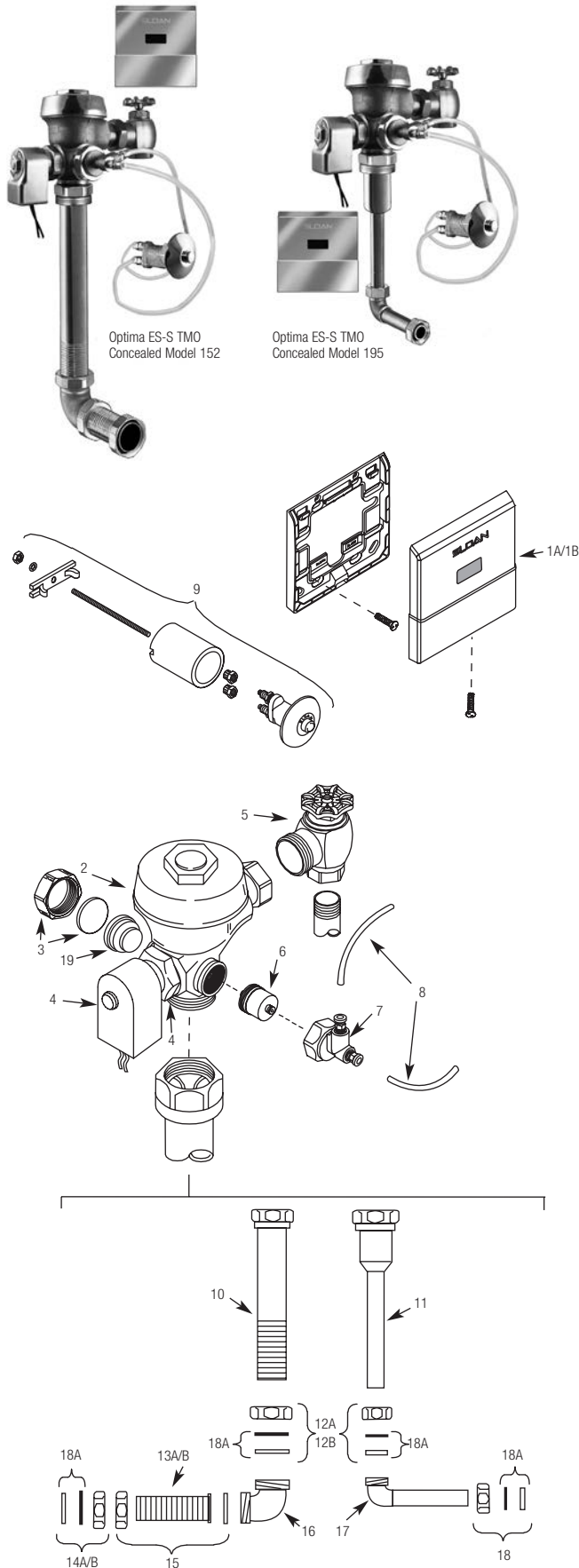


Optima® Royal® ES-S TMO Concealed Flushometers



Sensor Flushometers

ROYAL® OPTIMA® ES-S TMO CONCEALED FLUSHOMETER PARTS LIST

| Item No. | Code No. | Part No. | Description |
|----------|---|------------|---|
| 1A. | 3305107 | EL-635-A | CP Cover Plate with Sensor (Mounting Screws included) (Model 152) |
| 1B. | 3305101 | EL-645-A | CP Cover Plate with Sensor (Mounting Screws included) (Model 195) |
| 2. | ‡ | — | Valve Assembly |
| 3. | 3301093 | A-1013-A | Concealed Valve Handle Cap RB |
| 4. | 0305331 | EL-138-2 | RB Concealed 24V Solenoid Assembly |
| 4A. | 3305043 | EL-128-A | Actuator Cartridge Assembly Only |
| 5. | ‡ | H-730-A | RB Bak-Chek® Control Stop |
| 6. | 3318001 | HY-83-A | Actuator Cartridge |
| 7. | 3318005 | HY-109-A-1 | Valve Actuator Assembly |
| 8. | 0318093 | HY-30 | 1/4" (6 mm) x 48" (1219 mm) Connecting Tubes |
| 9. | 0318117 | HY-100-A-1 | Metal Push Button Assembly |
| 10. | ‡ | V-500-AA | 1-1/2" (38 mm) Vacuum Breaker Assembly RB (Model 152) |
| 11. | ‡ | V-500-AA | 3/4" (19 mm) Vacuum Breaker Assembly RB (Model 192) |
| 12A. | 0306088 | F-2-AT | 1-1/2" (38 mm) Slip Joint Coupling Assembly RB (Model 152) |
| 12B. | 0306054 | F-2-AW | 3/4" (19 mm) Slip Joint Coupling Assembly RB (Model 192) |
| 13A. | ‡ | F-110 | 1-1/4" (32 mm) Outlet Tube with Flange and Scoring (Model 152) |
| 13B. | ‡ | F-100 | 1-1/2" (38 mm) Outlet Tube with Flange and Scoring (Model 152) |
| 14A. | 0306059 | F-2-AU | 1-1/4" (32 mm) Slip Joint Coupling Assembly RB (Model 152) |
| 14B. | 0306088 | F-2-AT | 1-1/2" (38 mm) Slip Joint Coupling Assembly RB (Model 152) |
| 15. | 0306091 | F-2-A | 1-1/2" (38 mm) Coupling with S-21 Gasket (Model 152) |
| 16. | 0206146PK | F-21 | 1-1/2" (38 mm) Double Male Slip Joint Elbow |
| 17. | ‡ | F-15-A | ELL with 3/4" (19 mm) Tail |
| 18. | 0306054 | F-2-AW | 3/4" (19 mm) Slip Joint Coupling |
| 18A. | SEE SLIP JOINT GASKETS AND RINGS TABLE BELOW | | |
| 19. | 0305190 | EL-190-A | Handle Adapter Assembly |
| 20. | 3345020 | EL-1033-A | ESS to TMO Retrofit Kit (Concealed)* |
| | 3388015 | H-1015-A | Flow Control Kit (HEU Only (not Shown)) |

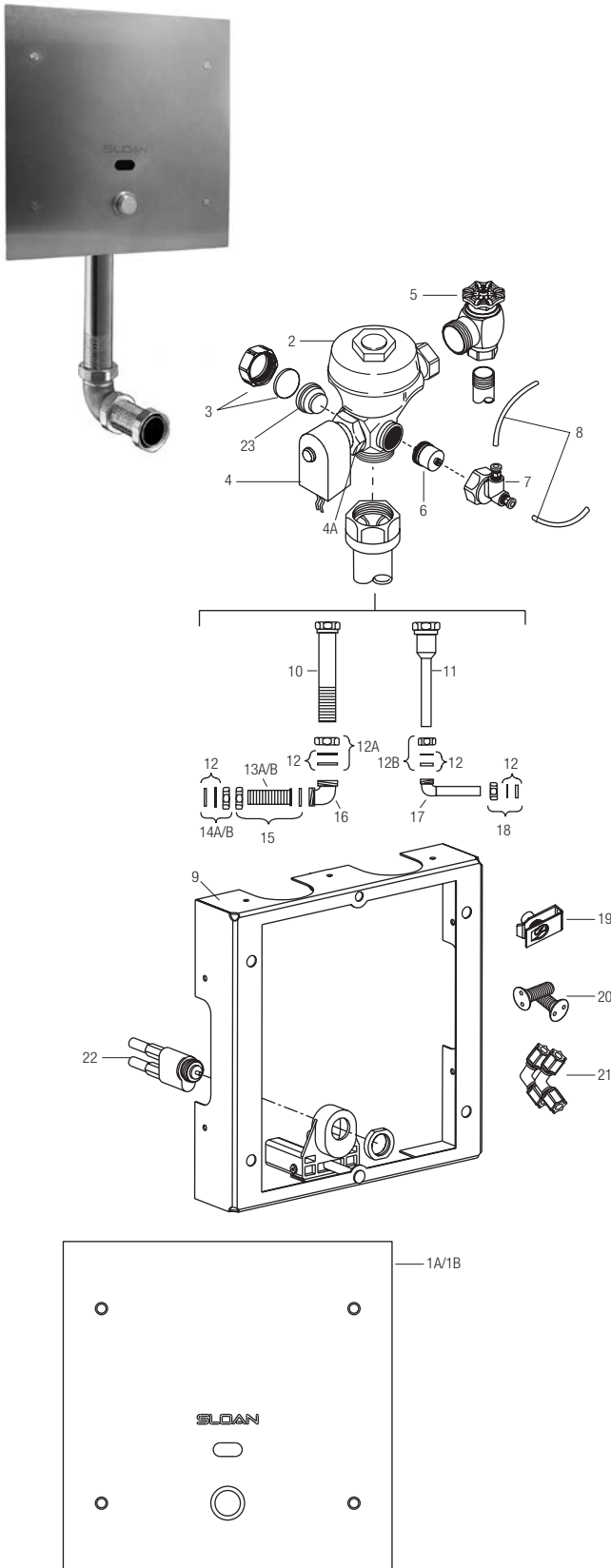
‡ Part number varies with valve model variation; consult factory.

* Not Shown

ITEM 18A. SLIP JOINT GASKETS AND RINGS

| Size | Code No. | Part No. | Description |
|-----------------|------------------------|----------|--------------------------------|
| 1-1/2" | 5306058 | F-3 | Red Friction Ring |
| | 5322001 | VBF-5 | Black Slip Joint Gasket |
| | 0319086/5319086 | S-30 | Flexible Seat |
| | 0319079 | S-21 | Rigid Seat (rubber over brass) |
| 1-1/2" x 1-1/4" | 0396062 | F-105 | Slip Joint Gasket – Rigid |
| | 5306057 | F-3 | Red Friction Ring |
| | | VBF-5 | Black Slip Joint Gasket |
| 1-1/4" | 0307052/5307052 | G-21 | Rigid Seat (rubber over brass) |
| | 5306056 | F-3 | Red Friction Ring |
| | | F-5 | Black Slip Joint Gasket |
| 3/4" | 5306055 | F-3 | Red Friction Ring |
| | 5306113 | F-3 | Red Friction Ring |
| | | F-5 | Black Slip Joint Gasket |

Optima® Royal® ES-S TMO with SWB Concealed Flushometers



ROYAL® OPTIMA® ES-S TMO WITH SWB PARTS LIST

| Item No. | Code No. | Part No. | Description |
|----------|---|------------|--|
| 1A. | — | WB-55-A | Wall Box Cover Plate Assembly (Model 152) |
| 1B. | — | WB-60-A | Wall Box Cover Plate Assembly (Model 195) |
| 2. | ‡ | — | Valve Assembly |
| 3. | 3301093 | A-1013-A | Concealed Valve Handle Cap RB |
| 4. | 0305331 | EL-138-2 | RB Concealed 24V Solenoid Assembly |
| 4A. | 3305043 | EL-128-A | Actuator Cartridge Assembly Only |
| 5. | ‡ | H-730-A | RB Bak-Chek® Control Stop |
| 6. | 3318001 | HY-83-A | Actuator Cartridge |
| 7. | 3318005 | HY-109-A-1 | Valve Actuator Assembly |
| 8. | 0318117 | HY-30 | 1/4" (6 mm) x 48" (1219 mm) Connecting Tubes |
| 10. | ‡ | V-500-AA | 1-1/2" (38 mm) Vacuum Breaker Assembly RB (Model 152) |
| 11. | ‡ | V-500-AA | 3/4" (19 mm) Vacuum Breaker Assembly RB (Model 192) |
| 12. | SEE SLIP JOINT GASKETS AND RINGS TABLE BELOW | | |
| 12A. | 0306088 | F-2-AT | 1-1/2" (38 mm) Slip Joint Coupling Assembly RB (Model 152) |
| 12B. | 0306054 | F-2-AW | 3/4" (19 mm) Slip Joint Coupling Assembly RB (Model 192) |
| 13A. | ‡ | F-110 | 1-1/4" (32 mm) Outlet Tube Flanged and Scored (Model 152) |
| 13B. | ‡ | F-100 | 1-1/2" (38 mm) Outlet Tube Flanged and Scored (Model 152) |
| 14A. | 0306059 | F-2-AU | 1-1/4" (32 mm) Slip Joint Coupling Assembly RB (Model 152) |
| 14B. | 0306088 | F-2-AT | 1-1/2" (38 mm) Slip Joint Coupling Assembly RB (Model 152) |
| 15. | 0306091 | F-2-A | 1-1/2" (38 mm) Coupling with S-21 Gasket (Model 152)† |
| 16. | 0206146PK | F-21 | 1-1/2" (38 mm) Double Male Slip Joint Elbow |
| 17. | 0306366 | F-15-A | ELL with 3/4" (19 mm) Tail (Model 195)† |
| 18. | 0306054 | F-2-AW | 3/4" (19 mm) Slip Joint Coupling |
| 19. | 0334017 | WB-18 | U-Type Nuts (4) 1/4-20 |
| 20. | — | WB-49 | Tamper Resistant Screws (4) 1/4-20 x 1-1/2 |
| 21. | — | HY-126 | Elbow Fitting (2) |
| 22. | 0318123 | HY-71-A | Hydraulic Actuator Assembly |
| 23. | 0305190 | EL-190-A | Handle Adapter Assembly |

† "L" Dimension available between the lengths of 2" and 10 3/4"
‡ Part number varies with valve model variation; consult factory.

ITEM 12. SLIP JOINT GASKETS AND RINGS

| Size | Code No. | Part No. | Description |
|-----------------|------------------------|----------|--------------------------------|
| 1-1/2" | 5306058 | F-3 | Red Friction Ring |
| | 5322001 | VBF-5 | Black Slip Joint Gasket |
| | 0319086/5319086 | S-30 | Flexible Seat |
| | 0319079 | S-21 | Rigid Seat (rubber over brass) |
| 1-1/2" x 1-1/4" | 0396062 | F-105 | Slip Joint Gasket – Rigid |
| 1-1/4" | 5306057 | F-3 | Red Friction Ring |
| | 5322176 | VBF-5 | Black Slip Joint Gasket |
| | 0307052/5307052 | G-21 | Rigid Seat (rubber over brass) |
| 1" | 5306056 | F-3 | Red Friction Ring |
| | 5306115 | F-5 | Black Slip Joint Gasket |
| 3/4" | 5306055 | F-3 | Red Friction Ring |
| | 5306113 | F-5 | Black Slip Joint Gasket |