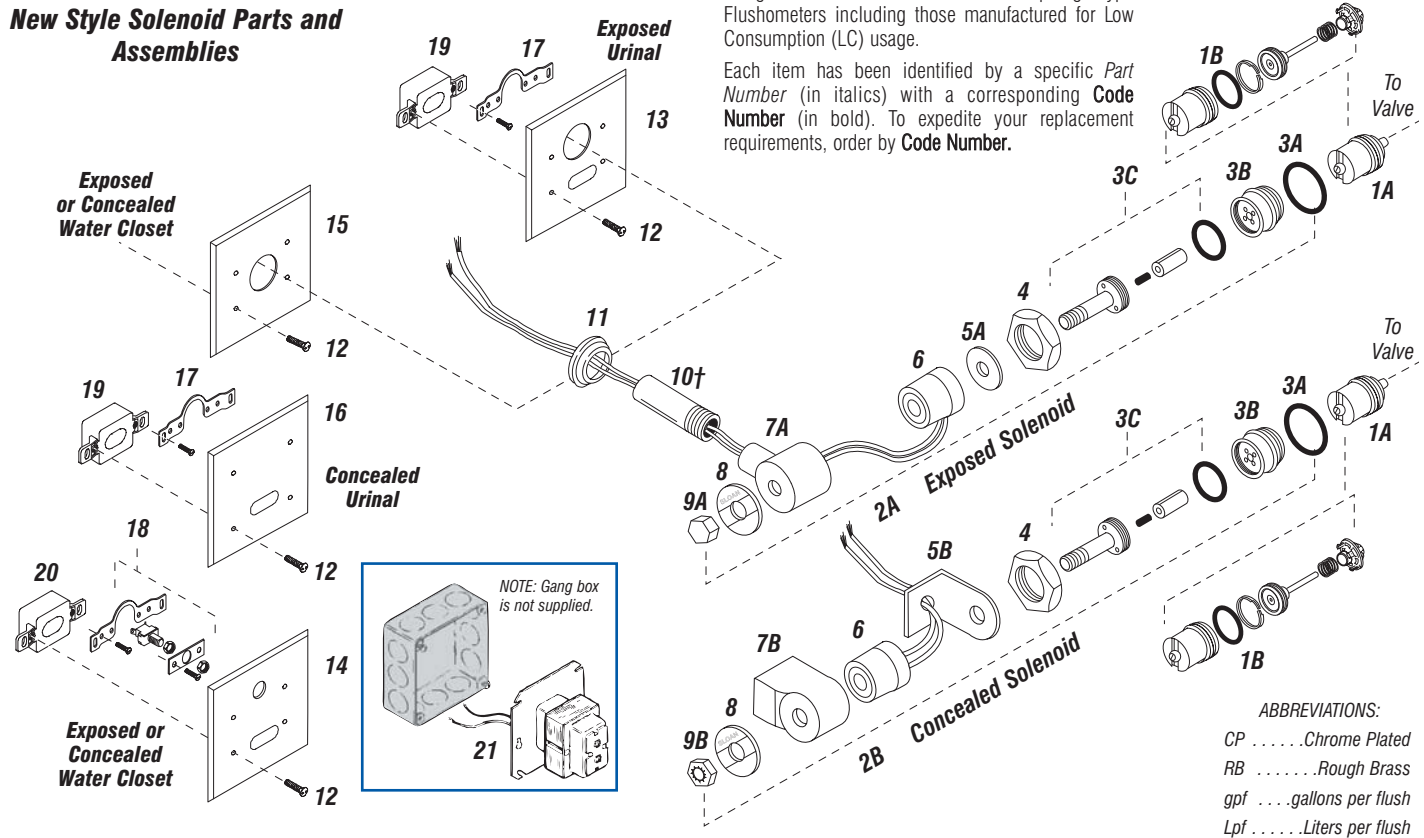
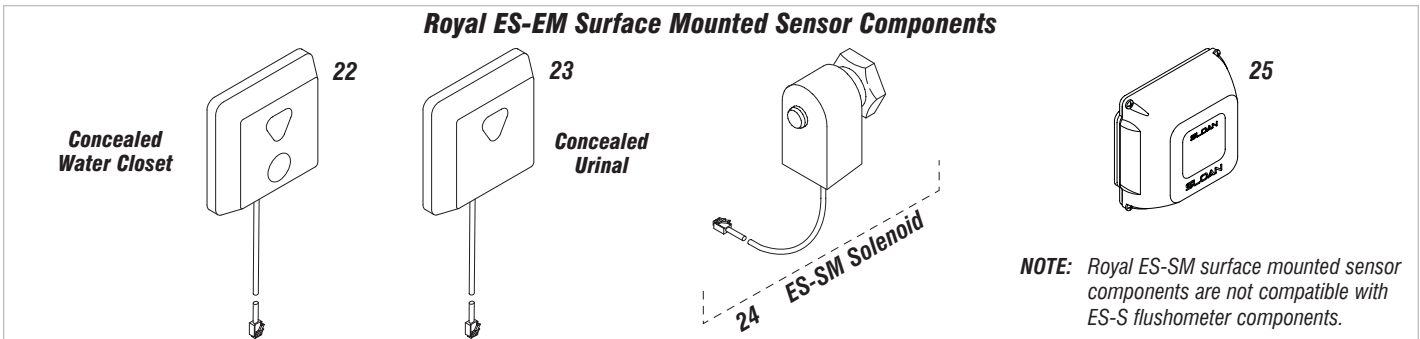


OPTIMA® SYSTEMS

New Style Solenoid Parts and Assemblies



Royal ES-EM Surface Mounted Sensor Components



New Solenoid/Sensor Parts and Assemblies List

Item	Code No.	Part No.	Description	Item	Code No.	Part No.	Description
1A.	3305043	<i>EL-128-A</i>	Actuator Cartridge Assembly Repair Kit Includes Spring, Plunger Guide, Solenoid Valve Seat, Valve Piston Assembly, and O-Ring (also available for ES-SM Flushometers)	9B.	0305167	<i>EL-166</i>	Housing Nut for Solenoid (concealed installation)
1B.	0305135	<i>EL-110</i>	O-Ring	10.	0306249	<i>F-15</i>	Tail †
2A.	0305329	<i>EL-124-2</i>	24 VAC Solenoid Assembly (exposed installation) Includes Handle Coupling, 24 VAC Coil, Face Plate for 24 VAC Solenoid, Solenoid Adapter, Solenoid Shaft Assembly, Nut for Solenoid, Solenoid Housing, Solenoid Flux Plate, and O-Ring	11.	0345150	<i>EL-431-A</i>	CP Flange Assembly (exposed installation)
2B.	0305331	<i>EL-138-2</i>	24 VAC Solenoid Assembly (concealed installation) Includes Handle Coupling, 24 VAC Coil, Face Plate for 24 VAC Solenoid, Solenoid Adapter, Solenoid Shaft Assembly, Nut for Solenoid, Solenoid Base Plate and Solenoid Cover Assembly	12.	0305152	<i>EL-152</i>	CP Screws (requires four screws per cover plate)
3A.	0337086	<i>DO-22</i>	O-Ring	13.	0305151	<i>EL-151</i>	CP Cover Plate for Sensor and Solenoid Operator (Urinal only)
3B.	0305132	<i>EL-104</i>	RB Adapter for Solenoid	14.	0305219	<i>EL-201</i>	CP Cover Plate for Sensor and Override Button (Closet only)
3C.	0305165	<i>EL-163-A</i>	Solenoid Shaft Assembly Includes Gasket, Plunger, Plunger Spring, and Solenoid Shaft	15.	0318066	<i>HY-66</i>	CP Cover Plate for Solenoid Operator (Closet only)
4.	0301082	<i>A-6</i>	CP Handle Coupling (exposed installation)	16.	0305161	<i>EL-161</i>	CP Cover Plate for Sensor
5A.	0305166	<i>EL-164</i>	Solenoid Flux Plate (exposed installation)	17.	0305323	<i>EL-168-A</i>	Yoke Assembly (Urinal only)
5B.	0305332	<i>EL-542</i>	Solenoid Base Plate (concealed installation)	18.	0305324	<i>EL-141-A</i>	Override Switch and Yoke Assembly (Closet only)
6.	0305118	<i>EL-165-2</i>	24 VAC Coil	19.	3305620	<i>EL-1500</i>	Urinal Sensor Replacement Kit (Urinal only)
7A.	0305164	<i>EL-162-2</i>	CP Solenoid Housing (exposed installation)	20.	3305621	<i>EL-1500-L</i>	Closet Sensor Replacement Kit (Closet only)
7B.	0305336	<i>EL-541-A</i>	Solenoid Cover Assembly (Includes Flux Plate)	21.	0345154	<i>EL-154</i>	Transformer (120 VAC) (also available for ES-SM Flushometers)
8.	0305127	<i>EL-102-2</i>	Face Plate for 24 VAC Solenoid (exposed installation)		0345999	<i>EL-342</i>	Transformer (240 VAC) (also available for ES-SM Flushometers)
9A.	0305125	<i>EL-101</i>	CP Nut for Solenoid (exposed installation)	22.	3345047	<i>EL-461</i>	Surface Mounted Sensor and Override Button Assembly (closet only)
				23.	3345048	<i>EL-497</i>	Surface Mounted Sensor Assembly (urinal only)
				24.	3345048	<i>EL-297</i>	Solenoid Assembly
				25.	3365003	<i>ETF-492-A</i>	Control Module

† **NOTE:** For exposed & concealed solenoids manufactured before 2003 or not shown here, consult factory for individual part assembly.