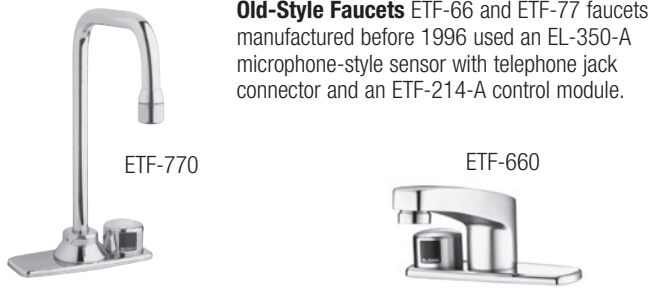
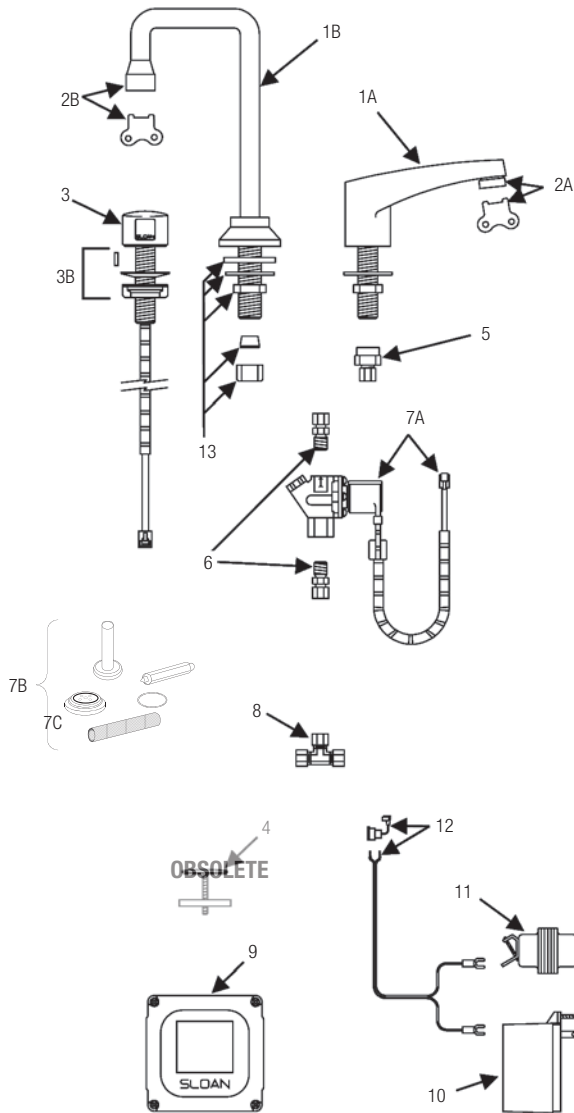


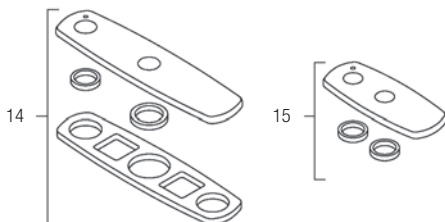
**OLD Optima® ETF-660/ETF-770**



**Old-Style Faucets** ETF-66 and ETF-77 faucets manufactured before 1996 used an EL-350-A microphone-style sensor with telephone jack connector and an ETF-214-A control module.



**Optional Trim Plates**



**PARTS LIST—ETF-660 AND ETF-770 FAUCETS**

Item No.	Code No.	Part No.	Description
1A.	<b>0365162</b>	ETF-595-A	Lavatory Faucet Assembly (ETF-660)
1B.	<b>0305536</b>	ETF-261-A	Deck-Mounted Gooseneck Faucet Assembly (ETF-770)
2A.	<b>3365092</b>	ETF-1023-A	0.5 gpm (1.9 Lpm) Spray Head with Key (male thread)
	<b>3365093</b>	ETF-1024-A	2.2 gpm (8.3 Lpm) Aerator Spray Head with Key (male thread)
	<b>3365162</b>	ETF-1029-A	2.2 gpm (8.3 Lpm) Laminar Flow Spray Head with Key (male thread)
	<b>0335927</b>	ETF-435	Replacement Key Only for ETF-1023-A Spray Head and ETF-1024-A Aerator Spray Head (NOT required for F-175-L Laminar Flow Spray Head)
	<b>3365756</b>	ETF-1039-A	0.35 gpm (1.3 Lpm) Multi-Lam Spray Head VR
2B.	<b>3365091</b>	ETF-1021-A	0.5 gpm (1.9 Lpm) Spray Head with Key (female thread)
	<b>3365090</b>	ETF-1022-A	2.2 gpm (8.3 Lpm) Aerator Spray Head with Key (female thread)
	<b>3365160</b>	ETF-1027-A	2.2 gpm (8.3 Lpm) Laminar Flow Spray Head with Key (female thread)
	<b>0305927</b>	ETF-435	Replacement Key Only
	<b>3365755</b>	ETF-1038-A	0.35 gpm (1.3 Lpm) Multi-Lam Spray Head VR
3.	<b>0305946</b>	EL-3500-A	Microphone-style "On-Q" Sensor Assembly includes O-ring, 18" armored Cable, Microphone Sensor Cap, Locking Pin, Microphone Sensor Body, and Emitter/Detector Shroud
3B.	<b>0305528</b>	EL-289	Microphone Mounting Kit
4.	<b>0365524</b>	ETF-199	Cock Hole Cover — <b>OBSOLETE</b>
5.	<b>0305513</b>	ETF-271	3/8" Tube Fitting Connector (female)
6.	<b>3365676</b>	ETF-437-A	Single Solenoid Supply Kit includes, two (2) Compression Fittings, Compression Nut, and Ferrule
7A.	<b>0305849</b>	ETF-370-A	24 VAC Solenoid Valve Assembly includes 18" (457 mm) armored Cable and two (2) Terminal Housings
7B.	<b>3305577</b>	ETF-1009-A	Solenoid Valve Repair Kit includes Replacement Filter, Guide, Armature Spring, Diaphragm and Washer
7C.	<b>3375003</b>	MCR-1003-A	Diaphragm only
8.	<b>3365461</b>	ETF-617-A	Bak-Chek® "T" Assembly
9.	<b>3365000</b>	ETF-450-A	Control Module Assembly includes splashproof Junction Box and Junction Box Mounting Kit
10.	<b>0365534</b>	ETF-233	120V/35 VA Plug-In Transformer
11.	<b>0345370</b>	EL-248-40	24V/40 VA Box Mount Transformer
12.	<b>0365001</b>	ETF-458-A	Input Power Cable (Transformer to Control Module) includes Strain Relief and two (2) Terminal Crimp Connectors
13.	<b>0305768</b>	EL-310-A	Spout Mounting Kit (ETF-770 Only) Includes Rubber Washer, Steel Washer, Lock Nut, Rubber Cone Washer, and Coupling Nut
14.	<b>3365602</b>	ETF-432-A	Optional 8" (203 mm) Centerset Trim Plate Kit, includes Seal, Washer Fender, Gasket, Finger Nut, Trim Plate Spacer and Dual Hole Trim Plate Assembly
15.	<b>3365469</b>	ETF-313-A	Optional 4" (102 mm) Centerset Trim Plate Kit includes Trim Plate Spacer and Dual Hole Trim Plate Assembly

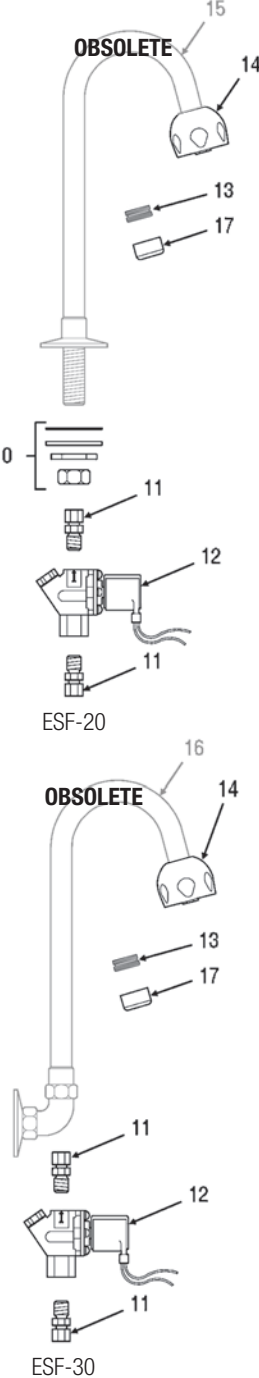
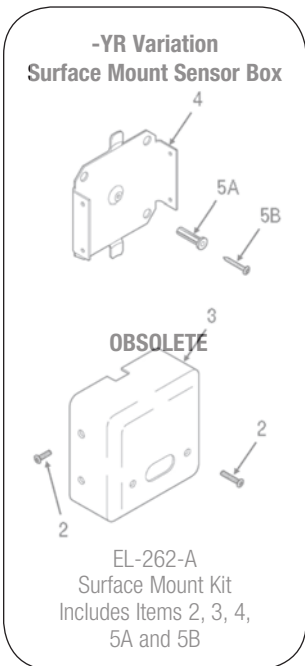
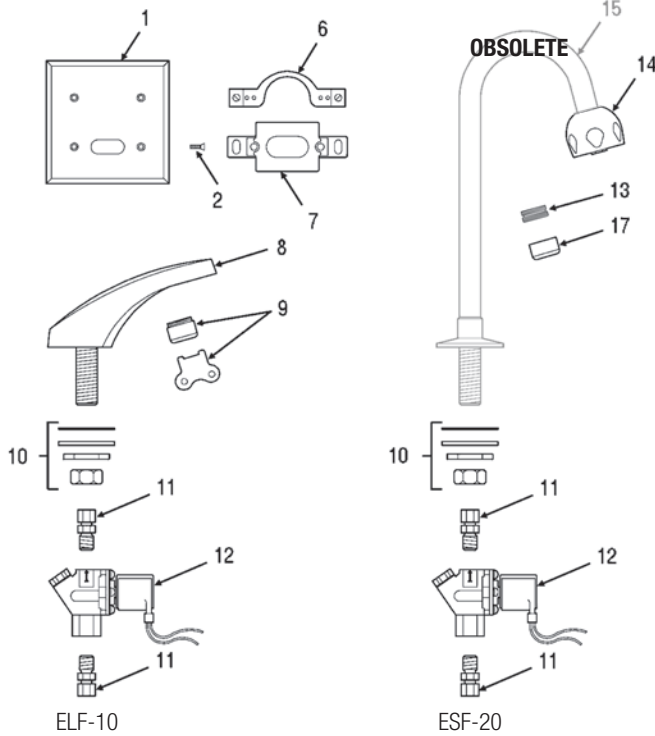
**See page 157 for faucet cable extension cords.**

— = Not shown in illustration

NOTE: For older style ETF-66/77 faucets the replacement EL-350 is discontinued. Replacement is ETF-1019-A includes EL-3500-A and ETF-450-A.

NOTE: For the replacement control module when the older style 3 phone jack module is used, use ETF-492-A.

**Optima® ELF-10/ESF-20/ESF-30-OBSOLETE**



**PARTS LIST—ELF-10, ESF-20, AND ESF-30 FAUCETS**

Item No.	Code No.	Part No.	Description
1.	<b>0305161</b>	EL-161	Cover Plate for 2-gang junction box (4-1/2" square)
2.	<b>0305152</b>	EL-152	Cover Plate Screws (use 5/64" hex wrench)
3.	<b>0305341</b>	EL-236	Sensor Box (for -YR Variation) – <b>OBSOLETE</b>
4.	<b>0305345</b>	EL-242	Wall Mounting Bracket Plate (for -YR Variation) – <b>OBSOLETE</b>
5A.	<b>0311048</b>	K-57	Anchor (for -YR Variation) – <b>OBSOLETE</b>
5B.	<b>0311041</b>	K-44	Slotted Wood Screw (for -YR Variation) – <b>OBSOLETE</b>
6.	<b>0305323</b>	EL-168-A	Yoke Assembly includes Yoke, two (2) Screws, and two (2) Washers
7.	<b>3305622</b>	EL-1500-LL	OPTIMA Lavatory Sensor
	<b>3305623</b>	EL-1500-LL-T	OPTIMA Lavatory Sensor with 30-second timeout
8.	<b>0365162</b>	ETF-595-A	Faucet Spout Assembly (ELF-10)
9.	<b>3365092</b>	ETF-1023-A	0.5 gpm (1.9 Lpm) Spray Head with Key (male thread)
	<b>3365093</b>	ETF-1024-A	2.2 gpm (8.3 Lpm) Aerator Spray Head with Key (male thread)
	<b>3365162</b>	ETF-1029-A	2.2 gpm (8.3 Lpm) Laminar Flow Spray Head with Key (male thread)
	<b>0305927</b>	ETF-435	Replacement Key Only
10.	<b>0305768</b>	EL-310-A	Mounting Hardware Kit (ELF-10 and ESF-20 only) includes Washer, Locking Nut, Coupling Nut, Rubber Washer, and Washer Cone
11.	<b>0305459</b>	ETF-61	3/8" Male Compression Fitting x 3/8" NPT
12.	<b>3305527</b>	ETF-1004-A	24 VAC Solenoid Valve Assembly includes male Compression Fitting, Input Power Cable, Solenoid Valve with stainless steel seat, and quick-disconnect Terminal Receptacle
—	<b>3305577</b>	ETF-1009-A	Solenoid Valve Repair Kit includes Replacement Filter
	<b>3375003</b>	MCR-1003-A	Diaphragm only
13.	<b>0305784</b>	ETF-178	Aerator Adapter (ESF-20 and ESF-30 only; not required for Shower Spray Head)
14.	<b>0328134</b>	AC-55-A	Shower Spray Head Assembly, 2.2 gpm (8.3 Lpm)
15.	<b>0328198</b>	AC-92-A	Deck-Mounted Faucet with Gooseneck Spout (ESF-20) – <b>OBSOLETE</b>
—	<b>0305797</b>	AC-93-A	Deck-Mounted Faucet with Surgical Bend Gooseneck Spout (ESF-20)
16.	<b>0328140</b>	AC-97-A	Back-Mounted Faucet with Gooseneck Spout (ESF-30) – <b>OBSOLETE</b>
—	<b>0305798</b>	AC-94-A	Back-Mounted Faucet with Surgical Bend Gooseneck Spout (ESF-30) – <b>OBSOLETE</b>
17.	<b>3365090</b>	ETF-621-A	2.2 gpm (8.3 Lpm) Aerator Spray Head with Key (female thread)
—	<b>0305368</b>	EL-262-A	Surface Mount Kit includes Items 2, 3, 4, 5A, and 5B (for -YR Variation) – <b>OBSOLETE</b>

Sloan faucets are available in various finishes – contact factory for part numbers.

— = Not shown in illustration

**OBSOLETE FAUCET**