

EL-600-A

► **Description**

AC Powered, Sensor Activated Retrofit Unit for Exposed Closet and Urinal Flushometers.

► **Model**

□ EL-600-A Side Mount Operator for Water Closets (Toilets) and Urinals

► **Specifications**

AC Powered, Sensor Activated, Exposed, OPTIMA[®] SMOOTH™ Unit for Closet and Urinal Flushometer Conversions with the following features:

- ADA Compliant OPTIMA[®] SMOOTH™ AC Powered Infrared Sensor for automatic "Hands-free" operation
- Sensor with Automatic Range Adjustment
- Chrome Plated Metal Sensor Housing
- Mechanical Manual Override Flush Handle
- Chrome Plated Flange and appropriate Wiring Hardware included
- "User in View" Flashing LED
- Sentinel Flush Mode
- Vandal Resistant 1/8" Ball-Type Hex Key included

► **Features**

- 25 to 80 psi Operating Range
- Infrared Sensing with Automatic Adjustment
- Mechanical Manual Override

► **ADA Compliant**

► **Easy Installation**

Sloan SMOOTH™ works out of the box. Simply slide the unit over the Flushometer handle, tighten the clamp and install using the appropriate wiring hardware (included).

► **Automatic**

Sloan SMOOTH™ equipped Flushometers provide the ultimate in sanitary protection and automatic operation. The Flushometer operates by means of an AC powered infrared sensor. Once the user enters the sensor's effective range and then steps away, the SMOOTH™ Unit initiates the flushing cycle to flush the fixture. State-of-the-art Technology enables activation of a manual override without "double flushing" occurring as the user departs (locks out sensor for approximately 10 seconds). 72 hour Sentinel Flush keeps fixture fresh during periods of nonuse.

► **Accessories** (Specify separately)

• **Transformers**

- **EL-386** 120 VAC/6 VAC/7.6 VDC, 50/60 Hz (3 VA) - Plug-in (will operate 1 unit)
- **EL-451** 120 VAC/6 VAC, 50/60 Hz (25 VA) - Box Mount (will operate up to 8 units)



Side-Mount-Operator-Over-The-Handle units do *NOT* include a Valve Body, Supply Stop or Vacuum Breaker.

► **Hygienic**

The Sloan SMOOTH™ Flushometer retrofit kit is the next advancement in hygiene. It uses sensor technology to transform manual installations into electronic, hands-free operation. User makes no physical contact with the Flushometer surface except to initiate the Override Handle when required. Helps control the spread of infectious diseases.

► **Economical**

Automatic operation provides water usage savings over other flushing devices. Reduces maintenance and operation costs. Installation and electrical hook-up do not require turning off water to the valve.

► **Warranty**

3 year (limited)



This space for Architect/Engineer approval	
Job Name _____	Date _____
Model Specified _____	Quantity _____
Variations Specified _____	
Customer/Wholesaler _____	
Contractor _____	
Architect _____	

EL-600-A

Side-Mount-Operator-Over-The-Handle Flushometer Retrofit Kit

Description

AC Powered, Sensor Activated Retrofit Unit for Exposed Closet and Urinal Flushometers.

Model

□ EL-600-A Side Mount Operator for Water Closets (Toilets) and Urinals

ELECTRICAL SPECIFICATIONS

Control Circuit

6 VAC/7.6 VDC Input
8 Second Arming Delay
72 Hour Sentinel Flush

OPTIMA Sensor Type

Active Infrared with Automatic Adjustment

OPTIMA Sensor Range

Normal Range (recommended for Water Closets) with 2 - 3 second flush delay:
26" - 32" (660 mm - 813 mm)
Normal Range (recommended for Water Closets) with 1 - 2 second flush delay:
26" - 32" (660 mm - 813 mm)
Reduced Range (recommended for Urinals) with 1 - 2 second flush delay:
20" - 26" (508 mm - 660 mm)

Transformer

Sloan Part #EL-386 (Plug-in)
120 VAC, 50/60 Hz Primary
6 VAC, 50/60 Hz Secondary
Class II, 3 VA.

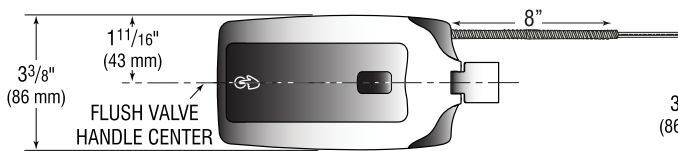
Sloan Part #EL-451 (Box Mount)
120 VAC, 50/60 Hz Primary
6 VAC/7.6 VDC, 50/60 Hz
Secondary Class II, 25 VA.

Operating Pressure

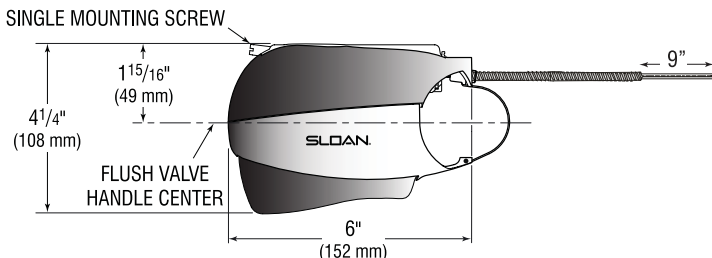
25-80 psi (172-552 kPa)

DIMENSIONS

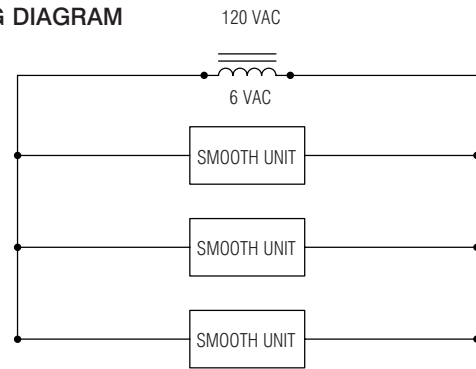
FRONT VIEW



TOP VIEW



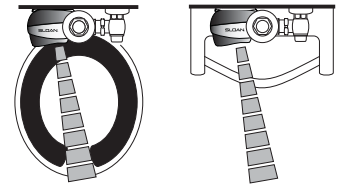
WIRING DIAGRAM



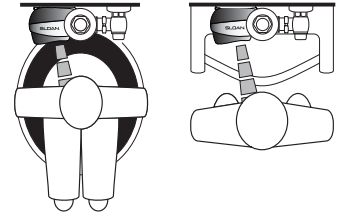
One EL-386 Transformer serves one (1) OPTIMA Closet/Urinal Flushometer. One EL-451 Transformer serves up to eight (8) OPTIMA Closet/Urinal Flushometers. Specify part number and number of transformers required accordingly.

OPERATION

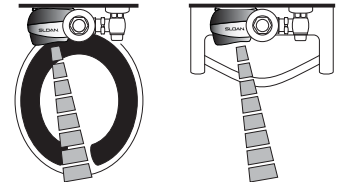
1. A continuous, invisible light beam is emitted from the SMOOTH unit's Infrared Sensor.



2. When the user enters the sensor's effective range, the Red LED light in the sensor window flashes for eight seconds. After eight seconds of sensing the user, the light will stop flashing and the unit waits for the user to step away before initiating a flush cycle.



3. When the user steps away, the unit initiates a flush cycle. The unit then automatically resets and is ready for the next user.



SLOAN VALVE COMPANY • 10500 SEYMOUR AVENUE • FRANKLIN PARK, IL 60131

Phone: 1-800-9-VALVE-9 or 1-847-671-4300 • Fax: 1-800-447-8329 or 1-847-671-4380 • <http://www.sloanvalve.com>